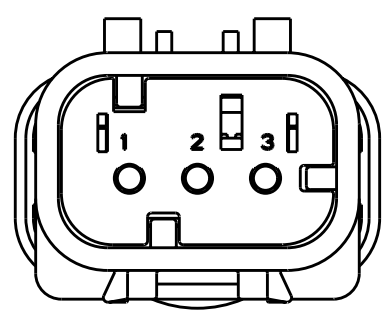
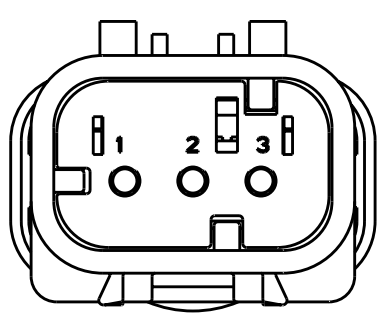


THIS DRAWING IS UNPUBLISHED. RELEASED FOR PUBLICATION  
 © COPYRIGHT 20 BY - ALL RIGHTS RESERVED.

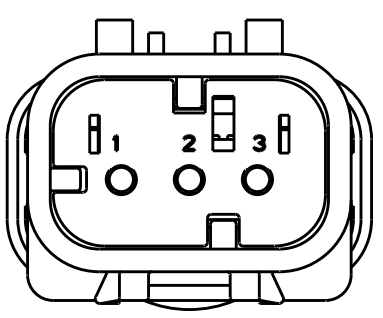
| LOC | DIST | REVISIONS |     |                           |           |     |      |
|-----|------|-----------|-----|---------------------------|-----------|-----|------|
| GE  | 00   | P         | LTR | DESCRIPTION               | DATE      | DWN | APVD |
|     |      | D3        |     | REVISED PER ECO-11-005030 | 12MAR2011 | RK  | HMR  |



776430-2  
SCALE 2:1  
KEY B

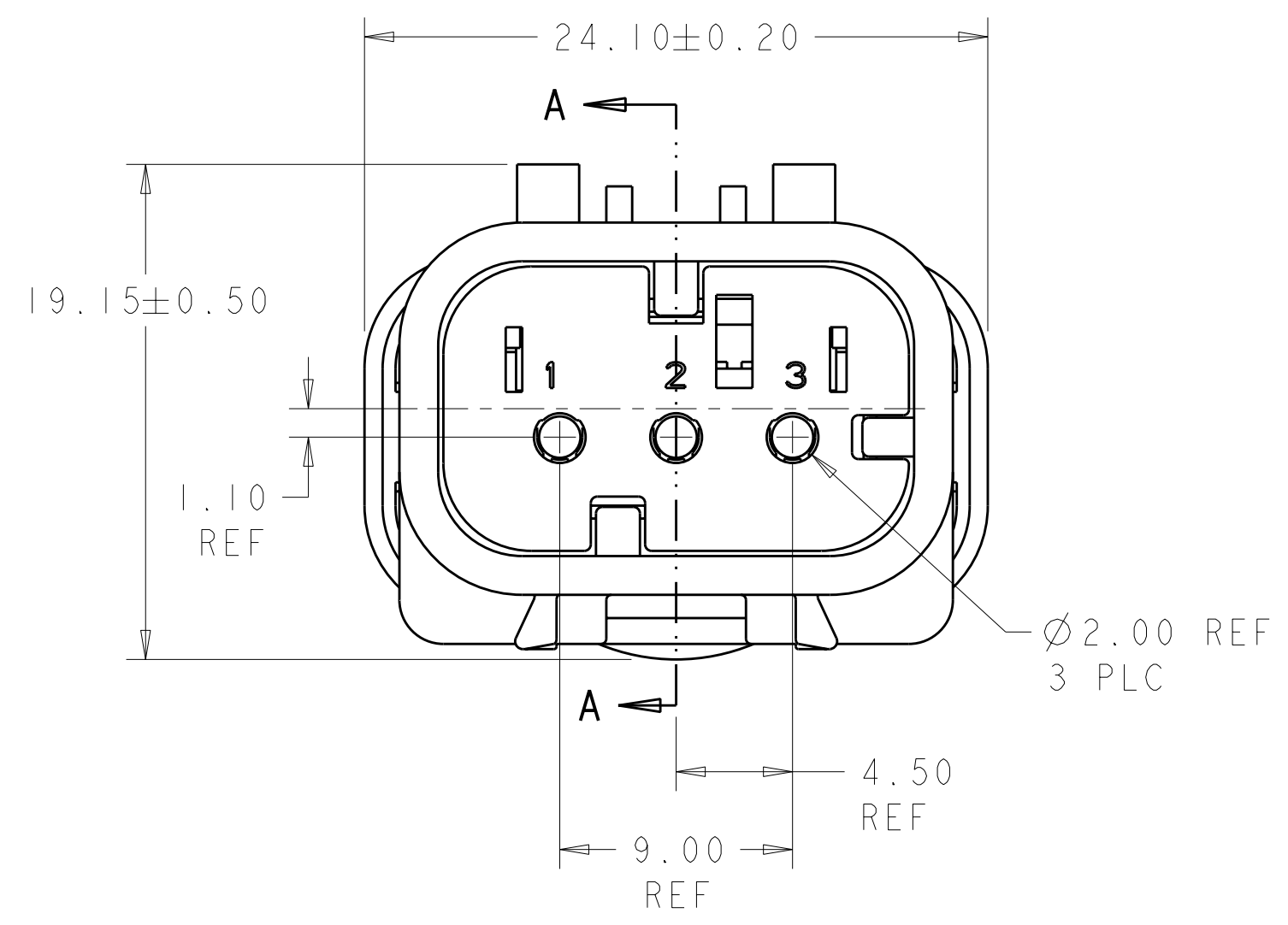


776430-3  
SCALE 2:1  
KEY C

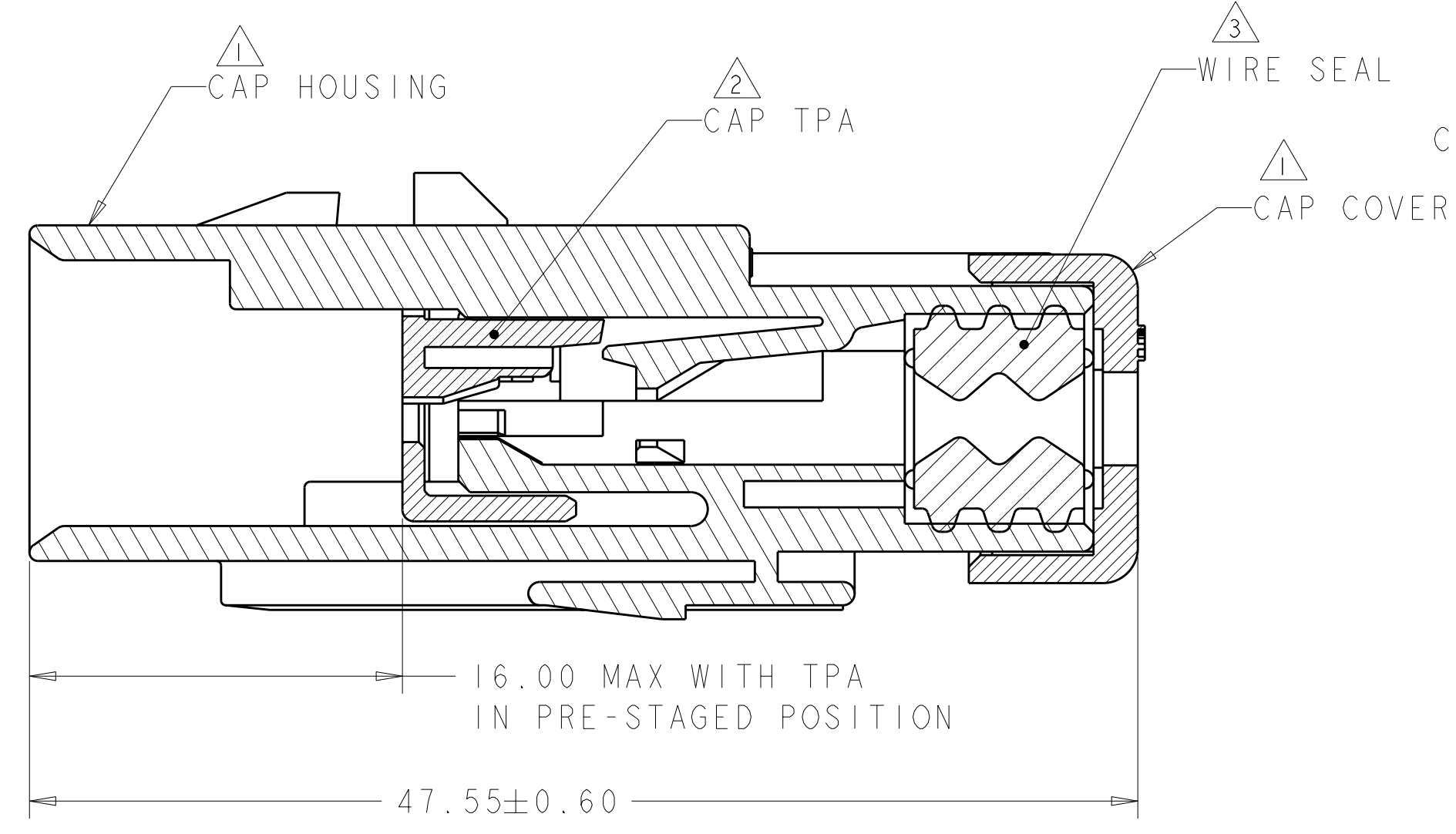


776430-4  
SCALE 2:1  
KEY D

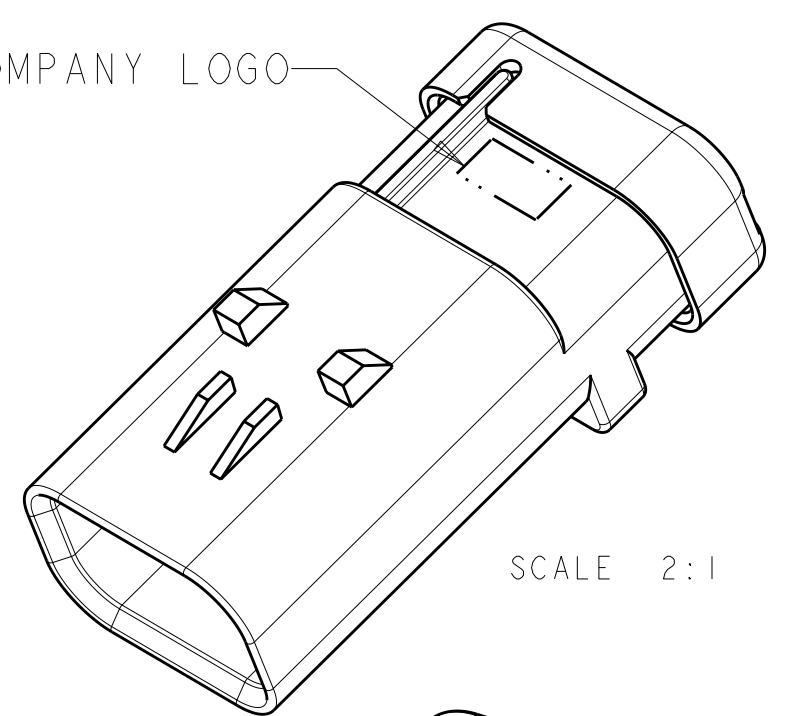
- 1 MATERIAL: 15% GLASS FILLED THERMOPLASTIC  
COLOR: BLACK
- 2 MATERIAL: 15% GLASS FILLED THERMOPLASTIC  
COLOR: (SEE TABLE)
- 3 MATERIAL: SILICONE  
COLOR: YELLOW
- 4. RECOMMENDED WIRE DIAMETER RANGE IS 2.18 TO 3.67mm.



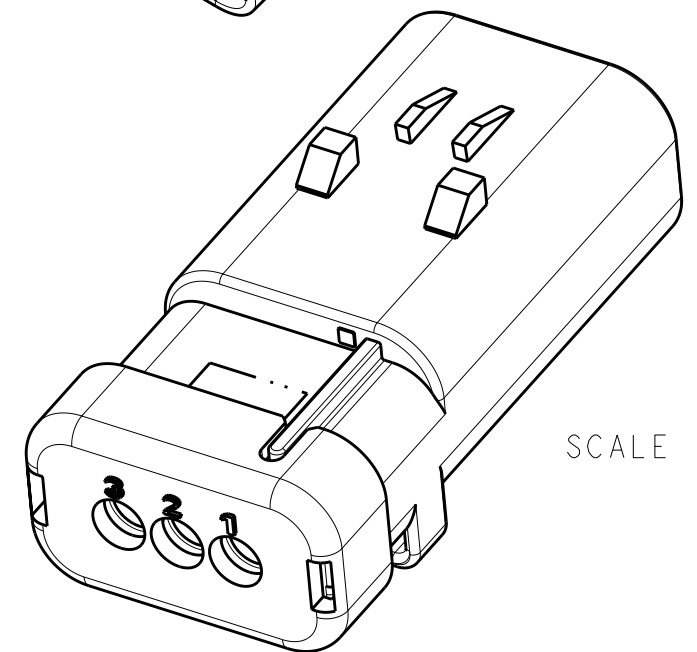
776430-1 SHOWN  
KEY A



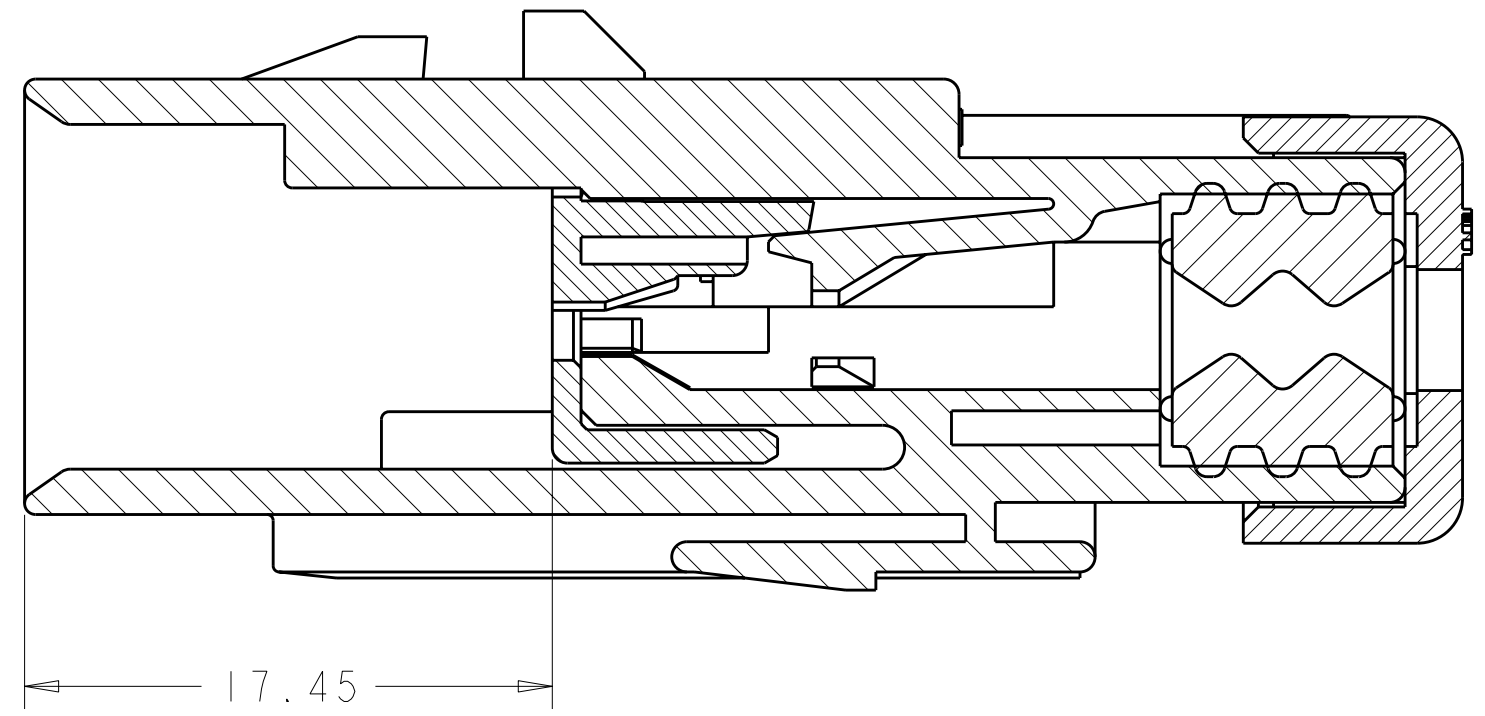
SECTION A-A



SCALE 2:1



SCALE 2:1



SECTION A-A  
WITH TPA IN CLOSED POSITION

|     |           |             |
|-----|-----------|-------------|
| D   | GREEN     | 776430-4    |
| C   | YELLOW    | 776430-3    |
| B   | GRAY      | 776430-2    |
| A   | RED       | 776430-1    |
| KEY | TPA COLOR | PART NUMBER |

THIS DRAWING IS A CONTROLLED DOCUMENT.

|             |  |                            |   |
|-------------|--|----------------------------|---|
| DIMENSIONS: | TOLERANCES UNLESS OTHERWISE SPECIFIED: | DWN Y. PETERSON 22FEB00    | TE Connectivity                                       |
| mm          | 0 PLC ±                                | CHK R. GREINER ITDECOT     |   |
|             | 1 PLC ±                                | APVD M. TRULLI ITDECOT     |   |
|             | 2 PLC ±                                | PRODUCT SPEC 108-2184      |   |
|             | 3 PLC ±                                | APPLICATION SPEC 114-13065 | NAME CAP ASSEMBLY, 3 POSITION, SINGLE ROW, AMPSEAL 16 |
|             | 4 PLC ±                                | WEIGHT 10±1g               | SIZE CAGE CODE DRAWING NO RESTRICTED TO               |
| MATERIAL    | FINISH                                 | CUSTOMER DRAWING           | A200779C-776430                                       |
|             |  | SCALE 4:1                  | SHEET 1 OF 1 REV D3                                   |