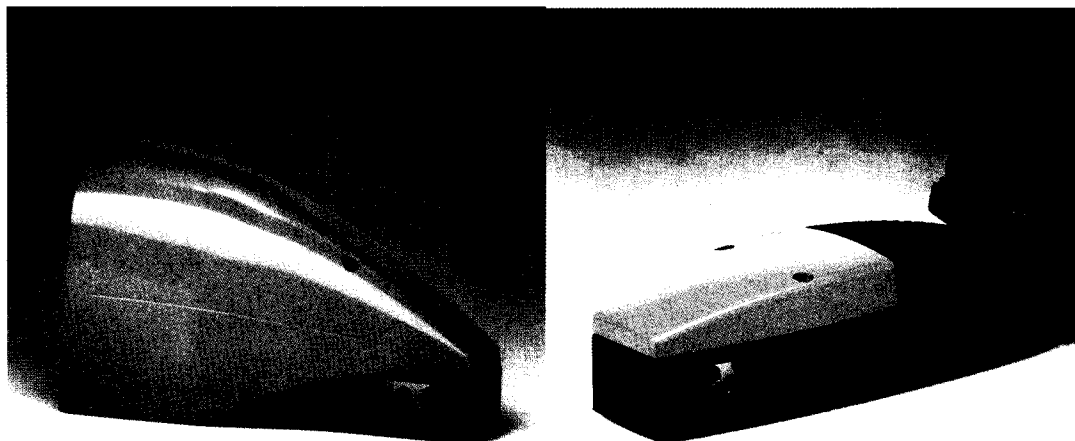
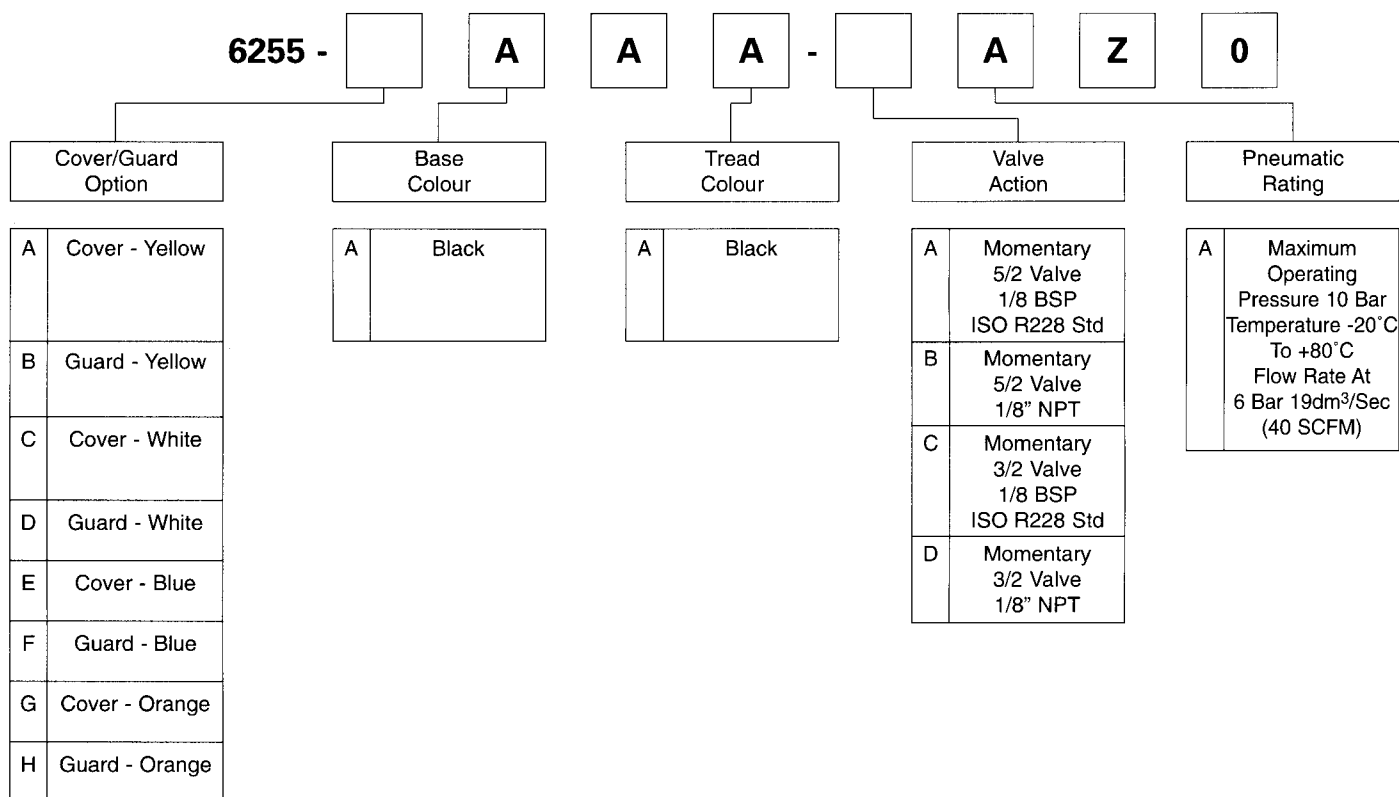


Industrial Foot Air Valve



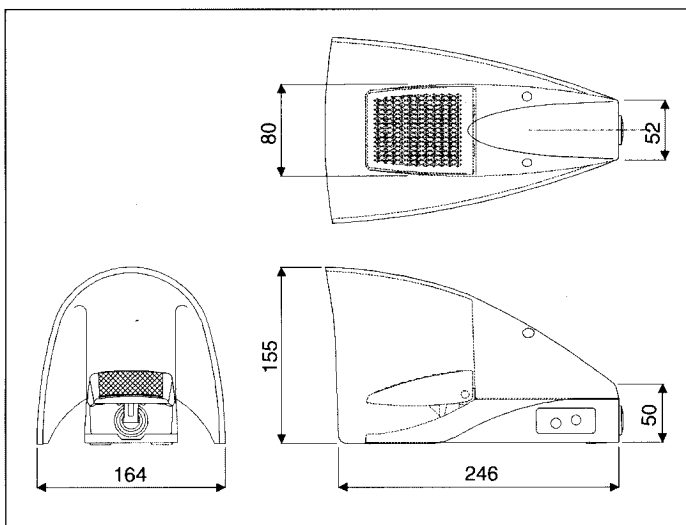
Benefits

- ❖ The Mistral heavy industrial foot air valve offers high performance and style.
- ❖ Available in a choice of colour combinations and valve options.
- ❖ Special colours available for volume OEM customers.
- ❖ Robust construction from die-cast aluminium.
- ❖ Weight: 800g (unguarded), 1500g (guarded).
- ❖ The guard is large enough to allow the operator to wear industrial protective shoes.
- ❖ Choice of valve port threads.
- ❖ Competitively priced for the OEM market.
- ❖ Mechanical performance 10⁶⁺

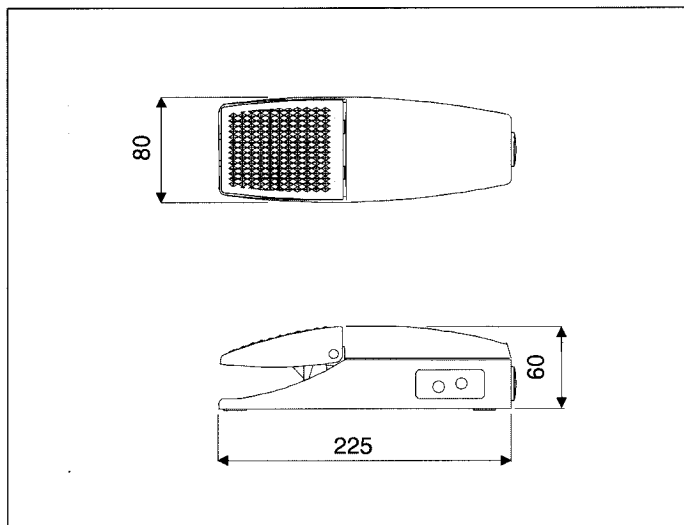


Industrial Foot Air Valve

Guard Option



Cover Option



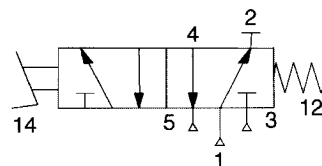
Technical Data

Maximum Operating Pressure	10 bar (145 psi / 1000kPa)
Temperature Range	-20°C To +80°C (-40°F To +176°F)
Air Condition	Filtered To 40 Microns Lubricated Or Dry
Flow Rate at 6 Bar (87 psi / 600kPa)	19dm ³ /sec (40 SCFM)
Ports	ISO R228 Standard or NPT

Connection Information

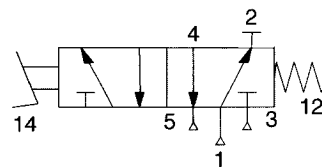
Valve connected as a 3/2 Normally Closed valve

- ❖ The air supply should be connected to Port 1.
- ❖ Port 2 is redundant and should be plugged with the plug fitting supplied.
- ❖ The outlet is connected to Port 4.
- ❖ Ports 3 and 5 are exhaust ports and should be left open to atmosphere or fitted with silencers. See note below.



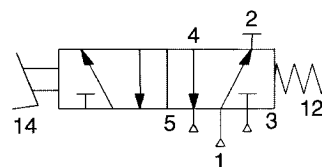
Valve connected as 3/2 Normally Open valve

- ❖ The air supply should be connected to Port 1.
- ❖ Port 4 is redundant and should be plugged with the plug fitting supplied.
- ❖ The outlet is connected to Port 2.
- ❖ Ports 3 and 5 are exhaust ports and should be left open to atmosphere or fitted with silencers. See note below.



Valve connected as 5/2 valve

- ❖ The air supply should be connected to Port 1.
- ❖ Ports 2 and 4 are outlet or cylinder ports.
- ❖ Ports 3 and 5 are exhaust ports and should be left open to atmosphere or fitted with silencers. See note below.



Note: We recommend that the exhaust ports of the valve are fitted with silencers. These will reduce the noise of the exhausting air and prevent dirt entering the valve.

A bag of 6mm fittings is available from Herga (Part No. 6050-5500-0029)