

PTH12060

12 Vin Single Output

Data Sheet

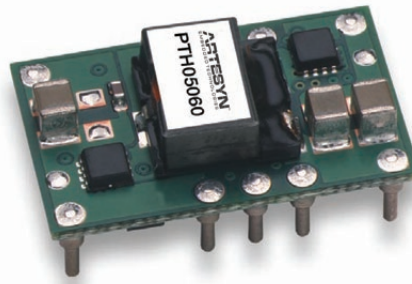
Total Power: 55 Watts
of Outputs: Single

SPECIAL FEATURES

- 10 A output current
- 12 V input voltage
- Wide-output voltage adjust:
1.2 - 5.5 Vdc for suffix 'W'
0.8 - 1.8 Vdc for suffix 'L'
- Auto-track™ sequencing*
- Margin up/down controls
- Efficiencies up to 94%
- Output ON/OFF inhibit
- Output voltage sense
- Point-of-Load-Alliance (POLA) compatible
- RoHS compliant
- Two year warranty

SAFETY

- UL/cUL CAN/CSA-C22.2 No. 60950-1-03/UL 60950-1, File No. E174104
- TÜV Product Service (EN60950) Certificate No B 04 06 38572 044
- CB Report and Certificate to IEC60950, Certificate No. US/8292/UL



Electrical Specifications

Input		
Input voltage range	(See Note 3)	10.8 - 13.2 Vdc
Input current	No load	10 mA typical
Remote ON/OFF	(See Note 1)	Positive logic
Start-up time		1 V/ms
Undervoltage lockout		9.0 - 9.5 V typical
Track input voltage	Pin 8 (See Notes 6)	±0.3 Vin
Output		
Voltage adjustability	(See Note 4)	1.2 - 5.5 Vdc (Suffix 'W') 0.8 - 1.8 Vdc (Suffix 'L')
Setpoint accuracy		±2.0% Vo
Line regulation		±10 mV typical
Load regulation		±12 mV typical
Total regulation		±3.0% Vo
Minimum load		0 A
Ripple and noise 20 MHz bandwidth	Suffix 'W': Vo 2.5 V Vo > 2.5 V Suffix 'L': Vo 1.0 V Vo > 1.0 V	25 mV pk-pk 1% Vo 20 mV pk-pk 30 mV pk-pk
Temperature co-efficient	-40 °C to +85 °C	±0.5% Vo
Transient response	(See Note 5)	70 µs recovery time Overshoot/undershoot 100 mV
Margin adjustment		±5.0% Vo

All specifications are typical at nominal input, full load at 25 °C unless otherwise stated.
 Cin = 560 µF, Cout = 0 µF.

*Auto-track is a trademark of Texas Instruments.

General Specifications

Efficiency		See Efficiency Table
Insulation voltage		Non-isolated
Switching frequency	Over V_{in} and I_o ranges	Suffix 'W': 350 kHz typical Suffix 'L': 250 kHz typical
Approvals and standards		EN60950, UL/cUL60950
Material flammability		UL94V-0
Dimensions	L x W x H	25.27 x 15.75 x 9.00 mm 0.995 x 0.620 x 0.354 in
Weight		5 g (0.18 oz)
MTBF	Telcordia SR-332	7,092,000 hours

EMC Characteristics

Electrostatic discharge	EN61000-4-2, IEC801-2
Conducted immunity	EN61000-4-6
Radiated immunity	EN61000-4-3

Environmental Specifications

Thermal performance (See Note 2)	Operating ambient temperature Non-operating temperature	-40 °C to +85 °C -40 °C to +125 °C
MSL ('Z' suffix only)	JEDEC J-STD-020C	Level 3
Protection		
Short-circuit	Auto reset	20 A typical

Ordering Information

Model Number ⁽⁹⁾	Output Power (Max.)	Input Voltage	Output Voltage	Output Current (Min.)	Output Current (Max.)	Efficiency (Typical)	Regulation	
							Line	Load
PTH12060L	55 W	10.8 - 13.2 Vdc	0.8 - 1.8 Vdc	0 A	10 A	88%	±10 mV	±12 mV
PTH12060W	55 W	10.8 - 13.2 Vdc	1.2 - 5.5 Vdc	0 A	10 A	94%	±10 mV	±12 mV

Part Number System with Options

Product Family	Input Voltage	Output Current	Mechanical Package	Output Voltage Code	Pin Option ⁽⁹⁾	Mounting Options	Pin Option
PTH	12	06	0	W	A	S	T
Point-of-Load Alliance compatible	12 = 12 V	06 = 10 A	Always 0	W = Wide L = Low Voltage		D = Horizontal through-hole (RoHS 6/6) Z = Surface-mount solder ball (RoHS 6/6)	No Suffix = Trays T = Tape and Reel ⁽⁹⁾

Output Voltage Adjustment

The ultra-wide output voltage trim range offers major advantages to users who select the PTH12060. It is no longer necessary to purchase a variety of modules in order to cover different output voltages. The output voltage can be trimmed in a range of 1.2 Vdc to 5.5 Vdc for suffix 'W' and 0.8 Vdc to 1.8 Vdc for suffix 'L'. When the PTH12060 converter leaves the factory the output has been adjusted to the default voltage of 1.2 V for the PTH12060W and 0.8 V for the PTH12060L.

Notes:

- Remote ON/OFF, Positive Logic
ON: Pin 3 open; or $V > V_{in} - 0.5 V$
OFF: Pin 3 GND; or $V < 0.8 V$ (min - 0.2 V).
- See Figures 1, 2 and 3 for safe operating curves of PTH12060W and Figures 6, 7 and 8 for safe operating curves of PTH12060L.
- A 560 μF electrolytic input capacitor is required for proper operation. The capacitor must be rated for a minimum of 800 mA rms of ripple current.
- An external output capacitor is not required for basic operation. Adding 330 μF of distributed capacitance at the load will improve the transient response.
- 1 A/ μs load step, 50 to 100% I_{omax} , $C_{out} = 330 \mu F$.
- If utilized V_{out} will track applied voltage by $\pm 0.3 V$ (up to V_o set point).
- Tape and reel packaging only available on the surface-mount versions.
- The pk-pk output ripple voltage is measured with an external 10 μF ceramic capacitor. See Figures 5 and 8 for Standard application schematic.
- NOTICE: Some models do not support all options. Please contact your local Artesyn representative or use the on-line model number search tool at <http://www.artesyn.com/power> to find a suitable alternative.

Efficiency Table: PTH12060W ($I_o = 8 A$)		Efficiency Table: PTH12060L ($I_o = 8 A$)	
Output Voltage	Efficiency	Output Voltage	Efficiency
$V_o = 5.0 V$	94%	$V_o = 1.8 V$	88%
$V_o = 3.3 V$	92%	$V_o = 1.5 V$	87%
$V_o = 2.5 V$	90%	$V_o = 1.2 V$	84%
$V_o = 2.0 V$	88%	$V_o = 1.0 V$	82%
$V_o = 1.8 V$	87%	$V_o = 0.8 V$	79%
$V_o = 1.5 V$	85%		
$V_o = 1.2 V$	83%		

PTH12060W Characteristic Data

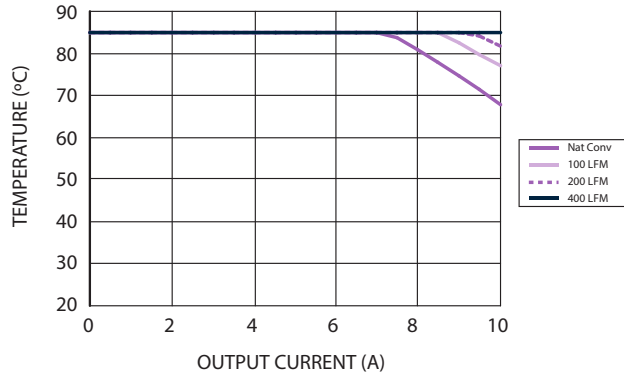


Figure 1 - Safe Operating Area
 Vin = 12 V, Output Voltage = 5 V (See Note A)

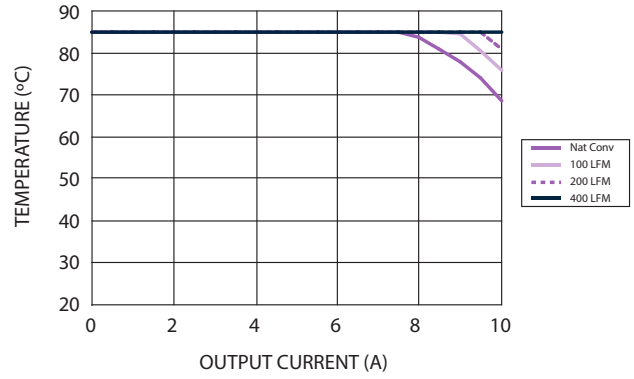


Figure 2 - Safe Operating Area
 Vin = 12 V, Output Voltage = 3.3 V (See Note A)

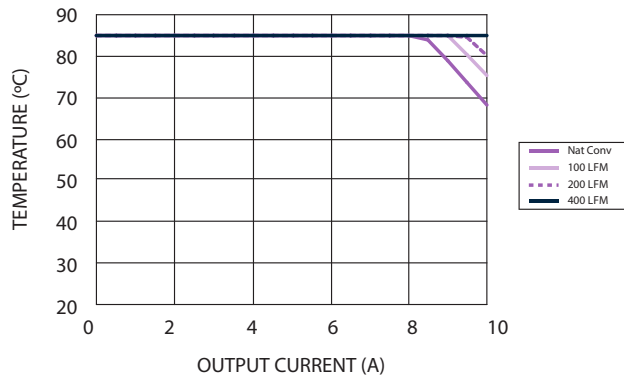


Figure 3 - Safe Operating Area
 Vin = 12 V, Output Voltage = 1.8 V (See Note A)

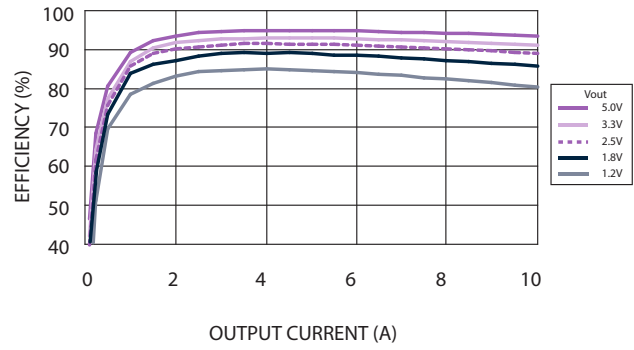


Figure 4 - Efficiency vs Load Current
 Vin = 12 V (See Note B)

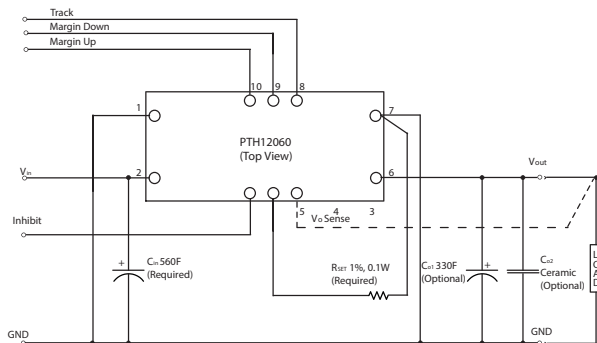


Figure 5 - Standard Application - All Models

Notes:

- A. SOA curves represent the conditions at which internal components are within the Artesyn derating guidelines.
- B. Characteristic data has been developed from actual products tested at 25 °C. This data is considered typical data for the converter.

PTH12060L Characteristic Data

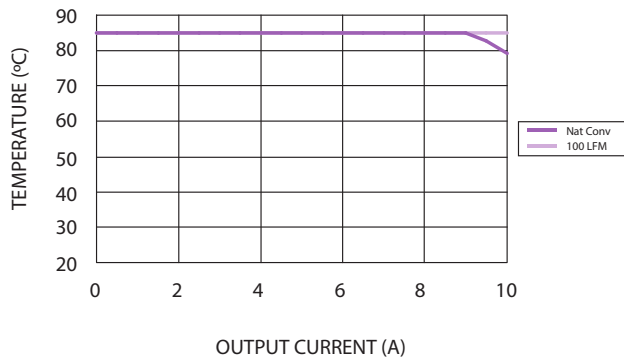


Figure 6 - Safe Operating Area
 $V_{in} = 12\text{ V}$, Output Voltage = 1.8 V (See Note A)

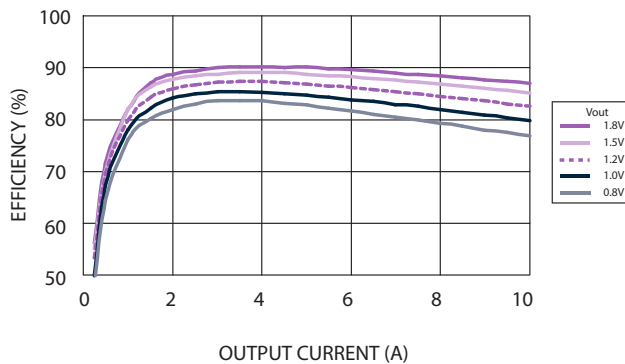


Figure 7 - Efficiency vs Load Current
 $V_{in} = 12\text{ V}$ (See Note B)

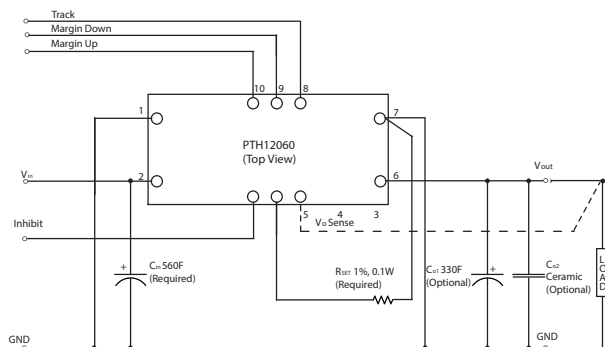


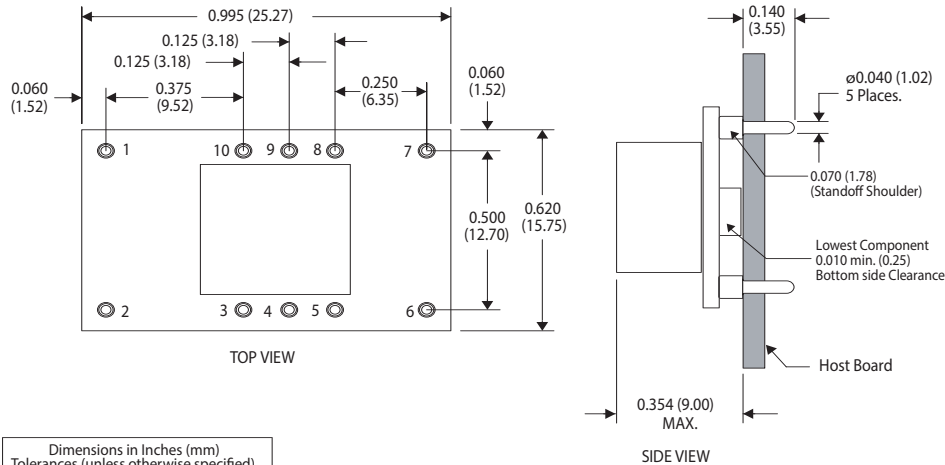
Figure 8 - Standard Application - All Models

Notes:

- A. SOA curves represent the conditions at which internal components are within the Artesyn derating guidelines.
- B. Characteristic data has been developed from actual products tested at 25 °C. This data is considered typical data for the converter.

Mechanical Drawings

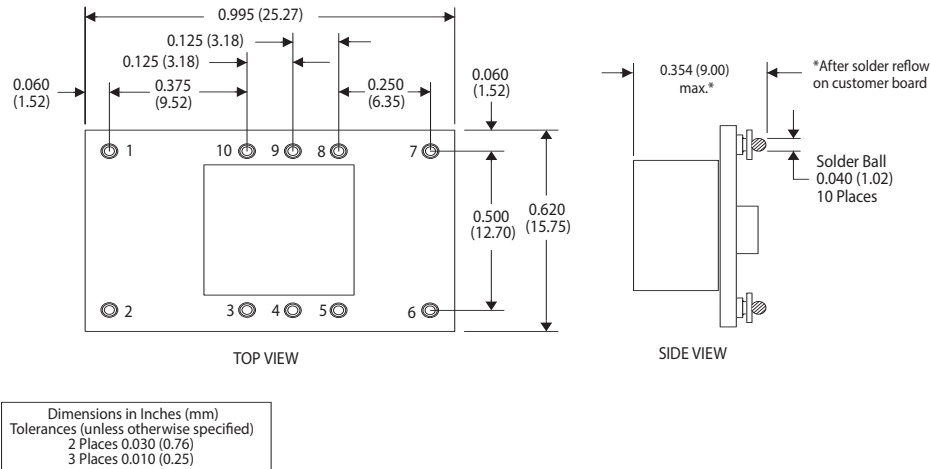
Plated through-hole



Pin Assignments	
Pin	Function
1	Ground
2	Vin
3	Inhibit*
4	Vo adjust
5	Vo sense
6	Vout
7	Ground
8	Track
9	Margin down*
10	Margin up*

*Denotes negative logic:
Open = Normal operation
Ground = Function active

Surface-mount



WORLDWIDE OFFICES

Americas

2900 S.Diablo Way
Tempe, AZ 85282
USA
+1 888 412 7832

Europe (UK)

Waterfront Business Park
Merry Hill, Dudley
West Midlands, DY5 1LX
United Kingdom
+44 (0) 1384 842 211

Asia (HK)

14/F, Lu Plaza
2 Wing Yip Street
Kwun Tong, Kowloon
Hong Kong
+852 2176 3333

ARTESYN[™]
EMBEDDED TECHNOLOGIES

www.artesyn.com

While every precaution has been taken to ensure accuracy and completeness in this literature, Artesyn Embedded Technologies assumes no responsibility, and disclaims all liability for damages resulting from use of this information or for any errors or omissions. Artesyn Embedded Technologies, Artesyn and the Artesyn Embedded Technologies logo are trademarks and service marks of Artesyn Embedded Technologies, Inc. All other names and logos referred to are trade names, trademarks, or registered trademarks of their respective owners. © 2015 Artesyn Embedded Technologies, Inc.

For more information: www.artesyn.com/power
For support: productsupport.ep@artesyn.com