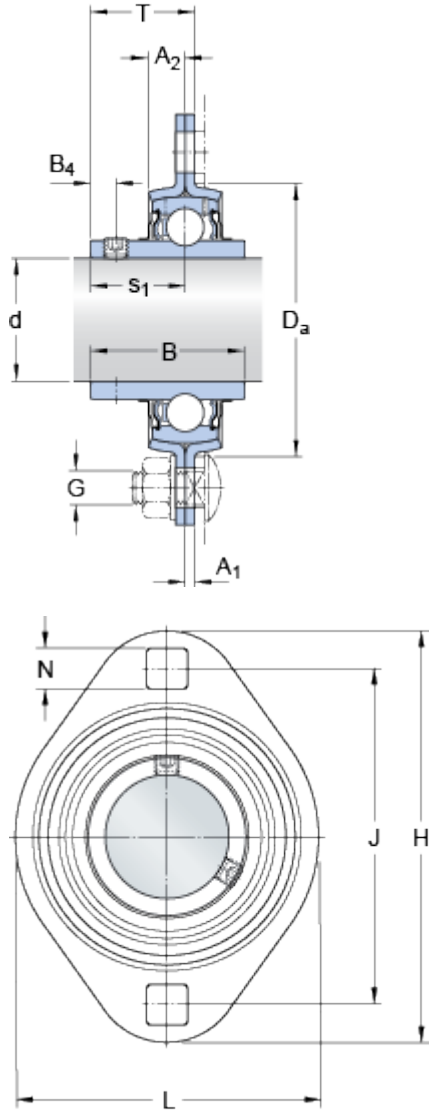


# PFT 20 TF

Housing material

Pressed steel

## Dimensions



d		20	mm
A <sub>1</sub>		2	mm
A <sub>2</sub>		8	mm
B		31	mm
B <sub>4</sub>		4.5	mm
D <sub>a</sub>	min.	51	mm
J		71.4	mm
H		91	mm
L		67	mm
N		8.7	mm
s <sub>1</sub>		18.3	mm
T		20.3	mm

**Dowel pins**

**Grease fitting**

**Threaded hole**

## Calculation data

Basic dynamic load rating	C	12.7	kN
Basic static load rating	C <sub>0</sub>	6.6	kN
Fatigue load limit	P <sub>u</sub>	0.28	kN
Limiting speed		8500	r/min

(with shaft tolerance h6)

## Mass

Mass bearing unit	0.24	kg
-------------------	------	----

## Mounting information

Thread grub screw	G 2	M6x0.75	
Hexagonal key size for grub screw	N	3	mm
Recommended tightening torque for grub screw		4	N·m
Recommended diameter for attachment bolts, mm	G	8	mm
Recommended diameter for attachment bolts, inch	G	0.313	in

### Appertaining products

---

Housing	PFT 47
Bearing	YAR 204-2F