

IPD W 5P2,5 M 0,5 M25 GY - Panel feed-through



1088704

<https://www.phoenixcontact.com/pc/products/1088704>

Please be informed that the data shown in this PDF document is generated from our online catalog. Please find the complete data in the user documentation. Our general terms of use for downloads are valid.



Panel feed-through, for connectors, connection method: Single wires, number of positions: 4+PE, M25, Pin, 450 V, 17.5 A, PA, gray, coding: P, 2.5 mm², cable length: 0.5 m

Your advantages

- Easy distribution of power, as components are plugged directly
- Simple, time-saving wiring in the field with Push-Lock connection
- Reliable installation in harsh environments with IP66, IP68, and IP69K throughout the entire system
- Secure, tool-free locking even in particularly difficult installation situations
- Fast commissioning with preassembled cable assemblies

Commercial data

Item number	1088704
Packing unit	1 pc
Minimum order quantity	1 pc
Product key	AF6LCB
GTIN	4055626891187
Weight per piece (including packing)	122.5 g
Weight per piece (excluding packing)	120 g
Customs tariff number	85444290
Country of origin	CN

IPD W 5P2,5 M 0,5 M25 GY - Panel feed-through



1088704

<https://www.phoenixcontact.com/pc/products/1088704>

Technical data

Notes

General	NOTE: Observe the permissible bending radii when routing cables, since the degree of protection may be at risk if the bending forces are too high. Reduce mechanical loads upstream of the connector, e.g., by using cable ties.
---------	-----------------------------------------------------------------------------------------------------------------------------------------------------------------------------------------------------------------------------------------

Product properties

Product family	IPD
Number of positions	5
Connection profile	4+PE
Position marking	1, 2, 3, N, PE
Coding	P

Insulation characteristics

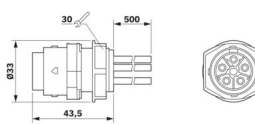
Overvoltage category	III
Degree of pollution	3

Connection data

Connection technology

Connection method On the device side	Single wires
--------------------------------------	--------------

Dimensions

Dimensional drawing	
Width	33 mm
Height	33 mm
Length	43.4 mm

Electrical properties

Rated surge voltage (III/3)	6 kV
Rated current	17.5 A
Rated voltage (III/3)	450 V
Nominal voltage U_N	450 V AC 450 V DC
Nominal current I_N	17.5 A

Mechanical properties

Mechanical data

Insertion/withdrawal cycles	50 (IP66/IP68/IP69K)
-----------------------------	----------------------

IPD W 5P2,5 M 0,5 M25 GY - Panel feed-through



1088704

<https://www.phoenixcontact.com/pc/products/1088704>

	100 (IP66)
--	------------

Material specifications

Color	light gray (RAL 7035)
Material	PA
Material Seal	EPDM
Contact material	Cu
Contact surface material	Ni/Ag/Sn

Cable/line

Cable length	0.5 m
Structure of individual litz in acc. with VDE 0295 / smallest wire diameter	VDE 0295 class 5
Position marking	1, 2, 3, N, PE
Single wire, color	blue, brown, black, gray, green/yellow
Cable cross section	2.5 mm ²
Material wire insulation	PVC
Halogen-free	no

Mounting

Mounting type	Front mounting M25
---------------	--------------------

Environmental and real-life conditions

Ambient conditions

Degree of protection	IP66
	IP68 (2 m / 24 h)
	IP69K
	Touch-proof when not plugged in (IP2X)
Impact strength	IK07
Ambient temperature (operation)	-30 °C ... 90 °C
Temperature when conductor connected	-5 °C ... 50 °C
Ambient temperature (storage/transport)	-30 °C ... 90 °C
Resistance to UV radiation	yes

IPD W 5P2,5 M 0,5 M25 GY - Panel feed-through

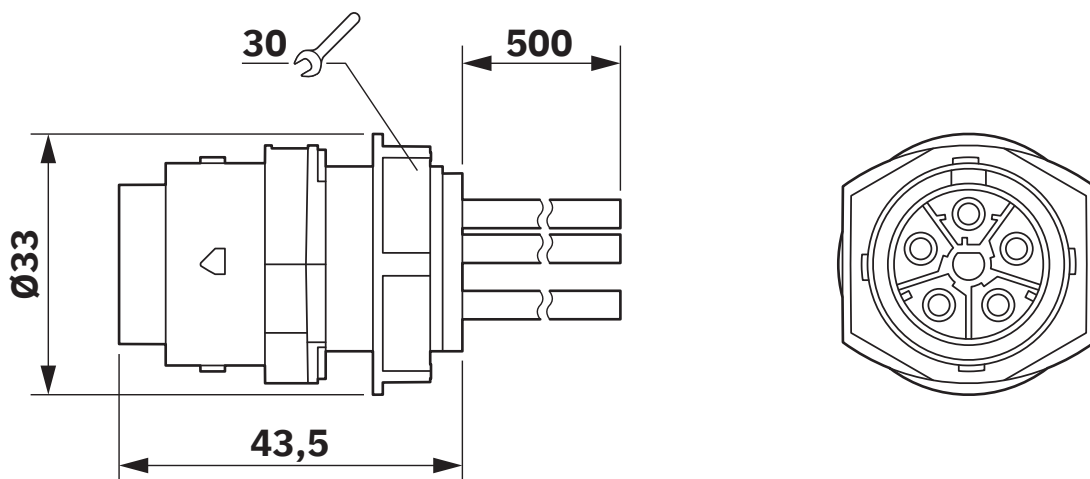


1088704

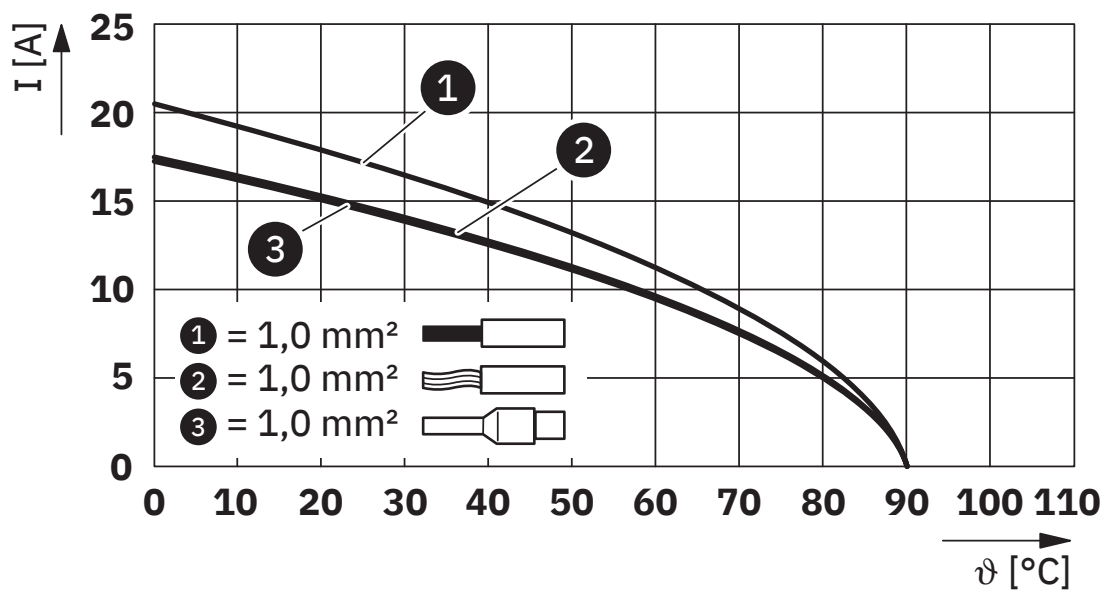
<https://www.phoenixcontact.com/pc/products/1088704>

Drawings

Dimensional drawing



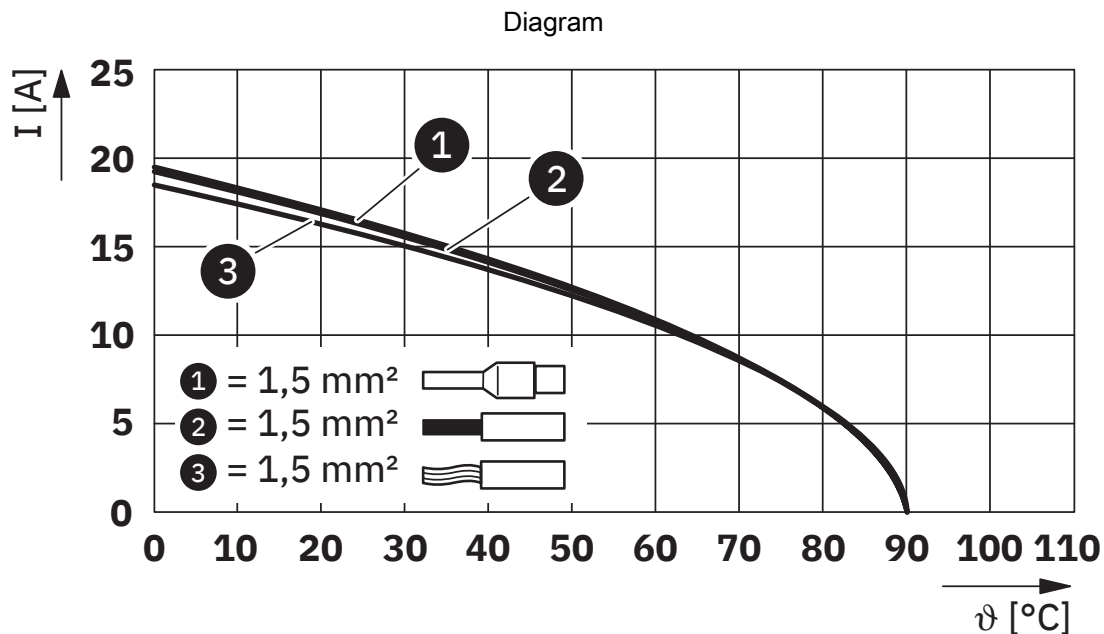
Diagram



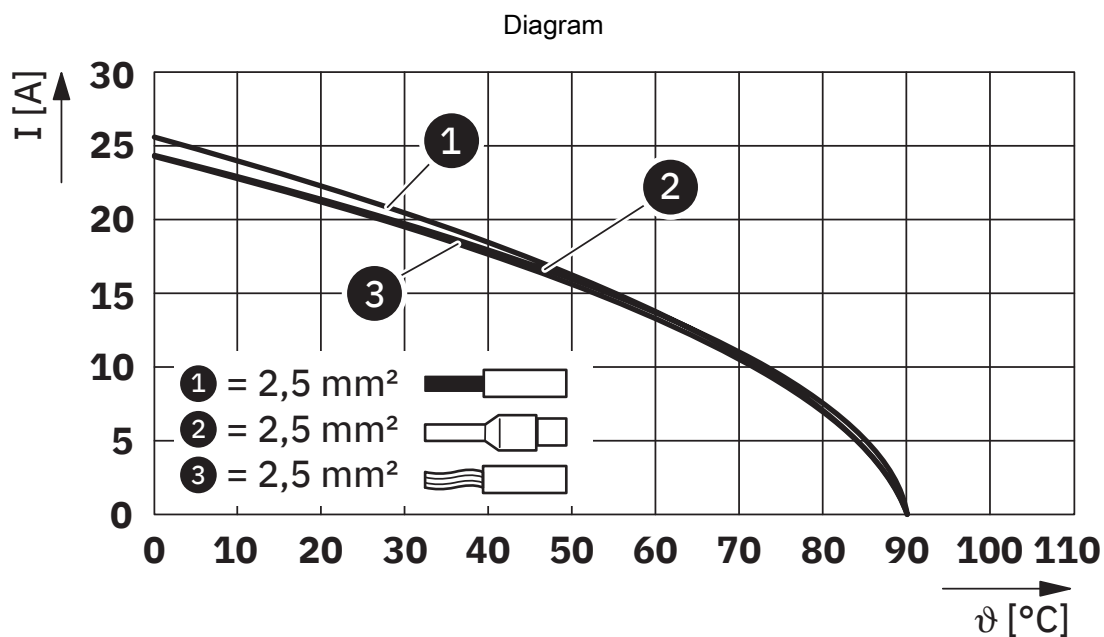
Derating diagram for 1.0 mm²

1088704

<https://www.phoenixcontact.com/pc/products/1088704>



Derating diagram for 1.5 mm²



Derating diagram for 2.5 mm²

IPD W 5P2,5 M 0,5 M25 GY - Panel feed-through



1088704

<https://www.phoenixcontact.com/pc/products/1088704>

Approvals

To download certificates, visit the product detail page: <https://www.phoenixcontact.com/pc/products/1088704>



VDE Zeichengenehmigung

Approval ID: 40059408



cULus Listed

Approval ID: E468743

	Nominal voltage U_N	Nominal current I_N	Cross section AWG	Cross section mm^2
keine				
Only flexible conductors	600 V	20 A	- 14	-
Only rigid conductors	600 V	20 A	- 14	-
multi-stranded with ferrule	600 V	20 A	- 14	-

IPD W 5P2,5 M 0,5 M25 GY - Panel feed-through



1088704

<https://www.phoenixcontact.com/pc/products/1088704>

Classifications

ECLASS

ECLASS-13.0	27440602
ECLASS-15.0	27440602

ETIM

ETIM 10.0	EC002566
-----------	----------

UNSPSC

UNSPSC 21.0	39121500
-------------	----------

IPD W 5P2,5 M 0,5 M25 GY - Panel feed-through



1088704

<https://www.phoenixcontact.com/pc/products/1088704>

Environmental product compliance

EU RoHS

Fulfills EU RoHS substance requirements	Yes, No exemptions
-----------------------------------------	--------------------

China RoHS

Environment friendly use period (EFUP)	EFUP-E
	No hazardous substances above the limits

EU REACH SVHC

REACH candidate substance (CAS No.)	No substance above 0.1 wt%
-------------------------------------	----------------------------

IPD W 5P2,5 M 0,5 M25 GY - Panel feed-through



1088704

<https://www.phoenixcontact.com/pc/products/1088704>

Mandatory accessories

IPD PL 5P2,5 F GY - Connector

1088678

<https://www.phoenixcontact.com/pc/products/1088678>



Connector, connection method: Push-lock connection, number of positions: 4+PE, Socket, 0.5 mm² ... 2.5 mm², 600 V, 17.5 A, PA, light gray, coding: P, external cable diameter: 7 mm ... 11 mm and 11 mm ... 16 mm

IPD PL 5P2,5 F A0,5 PVC GY - Connecting cable

1526880

<https://www.phoenixcontact.com/pc/products/1526880>



Connecting cable/ Push-lock connection, number of positions: 4+PE, Socket, 450 V, 16 A, PA, light gray, coding: P, 2.5 mm², cable length: 0.5 m, Socket straight, on free cable end

IPD W 5P2,5 M 0,5 M25 GY - Panel feed-through

1088704

<https://www.phoenixcontact.com/pc/products/1088704>

IPD PL 5P2,5 F A1,0 PVC GY - Connecting cable

1526882

<https://www.phoenixcontact.com/pc/products/1526882>



Connecting cable/ Push-lock connection, number of positions: 4+PE, Socket, 450 V, 16 A, PA, light gray, coding: P, 2.5 mm², cable length: 1 m, Socket straight, on free cable end

IPD PL 5P2,5 F A3,0 PVC GY - Connecting cable

1526885

<https://www.phoenixcontact.com/pc/products/1526885>



Connecting cable/ Push-lock connection, number of positions: 4+PE, Socket, 450 V, 16 A, PA, light gray, coding: P, 2.5 mm², cable length: 3 m, Socket straight, on free cable end

IPD W 5P2,5 M 0,5 M25 GY - Panel feed-through



1088704

<https://www.phoenixcontact.com/pc/products/1088704>

IPD PL 5P2,5 F A5,0 PVC GY - Connecting cable

1526886

<https://www.phoenixcontact.com/pc/products/1526886>



Connecting cable/ Push-lock connection, number of positions: 4+PE, Socket, 450 V, 16 A, PA, light gray, coding: P, 2.5 mm², cable length: 5 m, Socket straight, on free cable end

IPD PL 5P2,5 M A0,5 F PVC GY - Connecting cable

1526887

<https://www.phoenixcontact.com/pc/products/1526887>



Connecting cable/ Push-lock connection, number of positions: 4+PE, Socket/pin, 450 V, 16 A, PA, light gray, coding: P, 2.5 mm², cable length: 0.5 m, Male straight, on Socket straight

IPD W 5P2,5 M 0,5 M25 GY - Panel feed-through



1088704

<https://www.phoenixcontact.com/pc/products/1088704>

IPD PL 5P2,5 M A1,0 F PVC GY - Connecting cable

1526889

<https://www.phoenixcontact.com/pc/products/1526889>



Connecting cable/ Push-lock connection, number of positions: 4+PE, Socket/pin, 450 V, 16 A, PA, light gray, coding: P, 2.5 mm², cable length: 1 m, Male straight, on Socket straight

IPD PL 5P2,5 M A3,0 F PVC GY - Connecting cable

1526891

<https://www.phoenixcontact.com/pc/products/1526891>



Connecting cable/ Push-lock connection, number of positions: 4+PE, Socket/pin, 450 V, 16 A, PA, light gray, coding: P, 2.5 mm², cable length: 3 m, Male straight, on Socket straight

IPD W 5P2,5 M 0,5 M25 GY - Panel feed-through



1088704

<https://www.phoenixcontact.com/pc/products/1088704>

IPD PL 5P2,5 M A5,0 F PVC GY - Connecting cable

1526892

<https://www.phoenixcontact.com/pc/products/1526892>



Connecting cable/ Push-lock connection, number of positions: 4+PE, Socket/pin, 450 V, 16 A, PA, light gray, coding: P, 2.5 mm², cable length: 5 m, Male straight, on Socket straight

Accessories

ZBF 4:UNBEDRUCKT - Zack Marker strip, flat

0808587

<https://www.phoenixcontact.com/pc/products/0808587>



Zack Marker strip, flat, Strip, white, unmarked, can be labeled with: CMS-P1-PLOTTER, PLOTMARK, mounting type: latching, for terminal block width: 4 mm, Number of individual labels: 10, text field height: 5.2 mm, text field width: 4.2 mm

IPD W 5P2,5 M 0,5 M25 GY - Panel feed-through



1088704

<https://www.phoenixcontact.com/pc/products/1088704>

UC-TMF 4 - Marker for terminal blocks

0818166

<https://www.phoenixcontact.com/pc/products/0818166>



Marker for terminal blocks, Sheet, white, unmarked, can be labeled with: BLUEMARK E.CARD, BLUEMARK ID COLOR, BLUEMARK ID, BLUEMARK CLED, PLOTMARK, CMS-P1-PLOTTER, mounting type: latching, for terminal block width: 4.2 mm, Number of individual labels: 120, text field height: 5.1 mm, text field width: 3.6 mm

UCT-TMF 4 - Marker for terminal blocks

0828742

<https://www.phoenixcontact.com/pc/products/0828742>



Marker for terminal blocks, Sheet, white, unmarked, can be labeled with: BLUEMARK E.CARD, BLUEMARK ID COLOR, BLUEMARK ID, BLUEMARK CLED, THERMOMARK PRIME 2.0, THERMOMARK PRIME, THERMOMARK CARD 2.0, THERMOMARK CARD, TOPMARK NEO, TOPMARK LASER, mounting type: latching, for terminal block width: 4.2 mm, Number of individual labels: 90, text field height: 4.7 mm, text field width: 3.4 mm

IPD W 5P2,5 M 0,5 M25 GY - Panel feed-through



1088704

<https://www.phoenixcontact.com/pc/products/1088704>

IPD PL CAP W32 WP GY - Protective cap

1088711

<https://www.phoenixcontact.com/pc/products/1088711>



Protective cap, IPD, with locking element, IP66, IP68, IP69K, width: 32 mm, color: gray, for IPD P 5P2,5..., for IPD W 5P2,5..., IPD H 5P,5..., IPD Y 5P2,5

IPD PL COVER W32 YE - Protective cap

1845542

<https://www.phoenixcontact.com/pc/products/1845542>



Protective cap, IPD, IP54, width: 32 mm, color: yellow, for IPD P 5P2,5..., IPD W 5P2,5..., IPD H 5P2,5..., IPD Y 5P2,5

Phoenix Contact 2026 © - all rights reserved
<https://www.phoenixcontact.com>

PHOENIX CONTACT GmbH & Co. KG
Flachsmarktstraße 8
D-32825 Blomberg
+49 (0) 5235-3 00
info@phoenixcontact.com