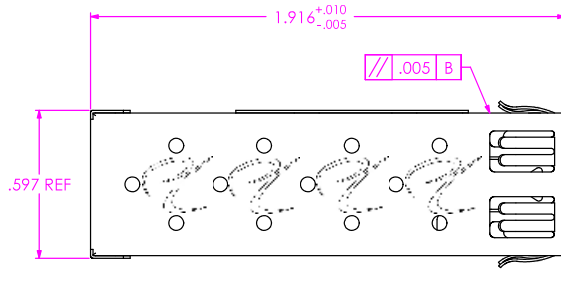


A	MB	C ROSE
9/22/2002	ECN-20222	
RELEASE FOR PRODUCTION		
B	CW	D WATREN
10/29/2002	ECN-21722	
ADDED XDR PROGRAMING OPTION TO PART CALLOUT ADDED NOTES		
C	TW	E MINGS
12/3/2004	ECN-41336	
CHANGE NOTE 2 FROM SPOT WELD LOCATION TO SPOT WELDS		
UPDATE VIEWS TO SHOW SPOTS. ON SHEET 2 CHANGE FROM 30 PLCS TO 28 PLCS		
D	GP	P ECKERT
5/20/06	ECN-69017	
PART OF 1 LOAD WELDED MARK WITHIN ON SIDE VIEW OF PART LEADHOUSE TM TO OPTOCAGE TM. DELETE PATENT PENDING FROM BOTTOM VIEW		
E	BC	SRINE
12/13/2006	ECN-68844	
ADD NOTE		
F	TK	P BRUMLEY
1/11/2007	ECN-69591	
PART CALLOUT SFPC-SL WAS SFPCL. XDR OPTION WAS DELETED FROM PART CALLOUT		

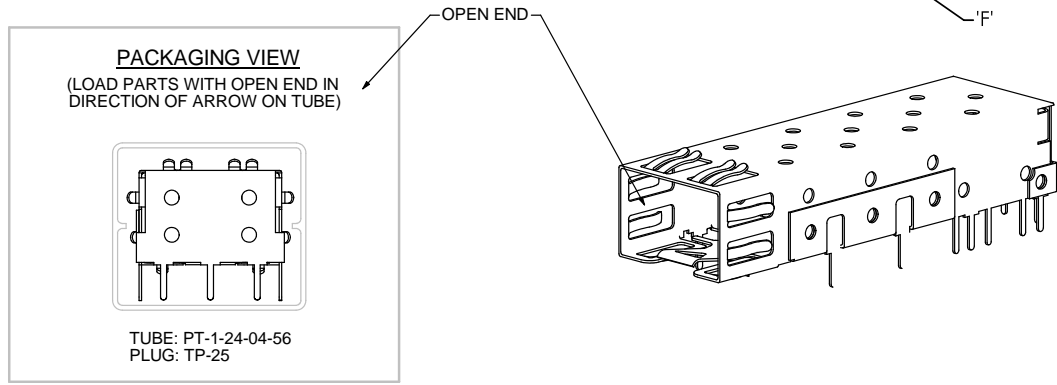
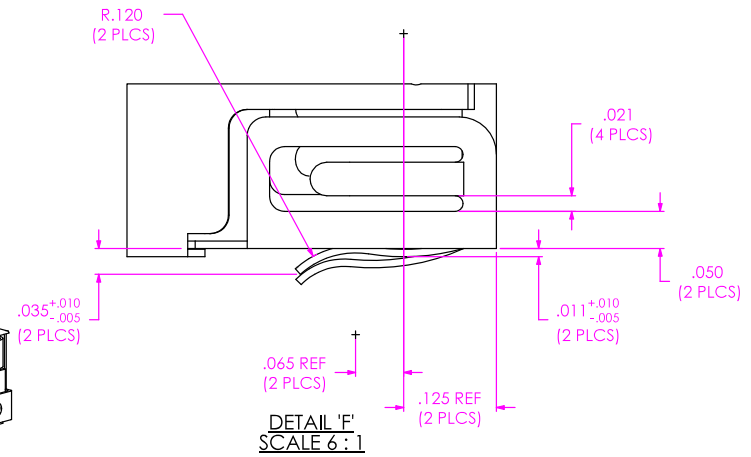
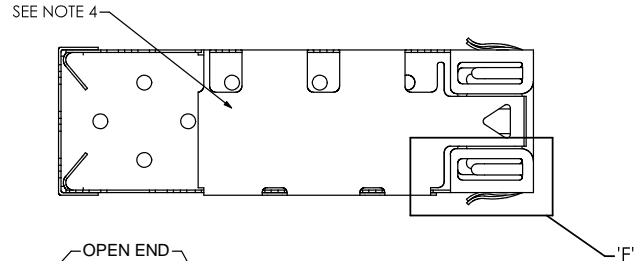
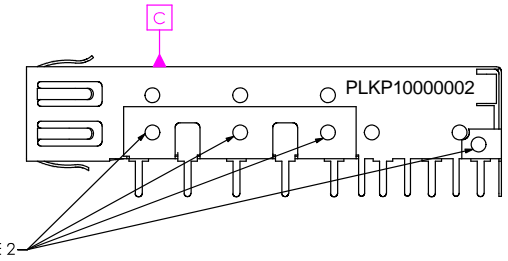
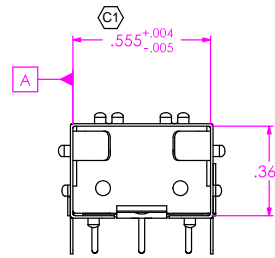
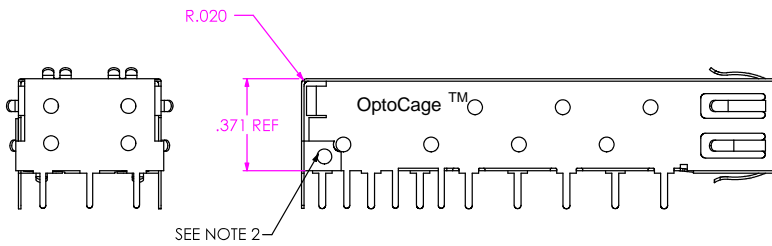
REVISION F

F SFPC-SL

SOLDER LEADS



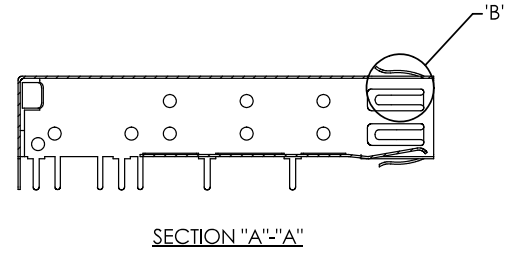
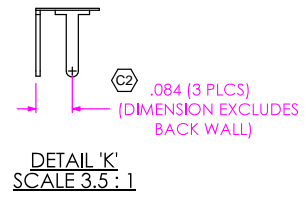
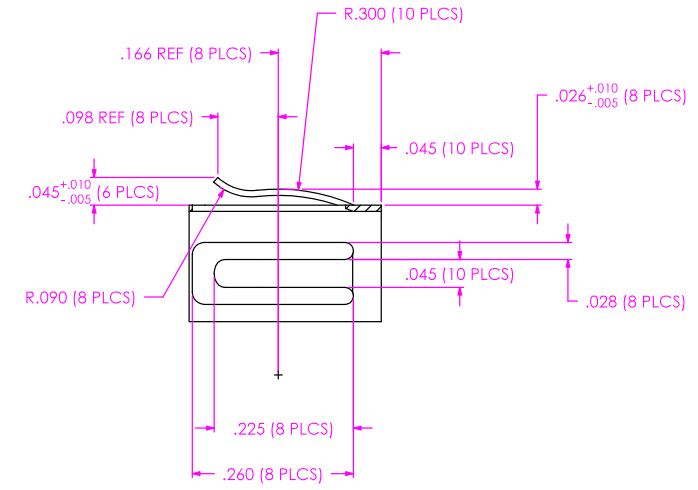
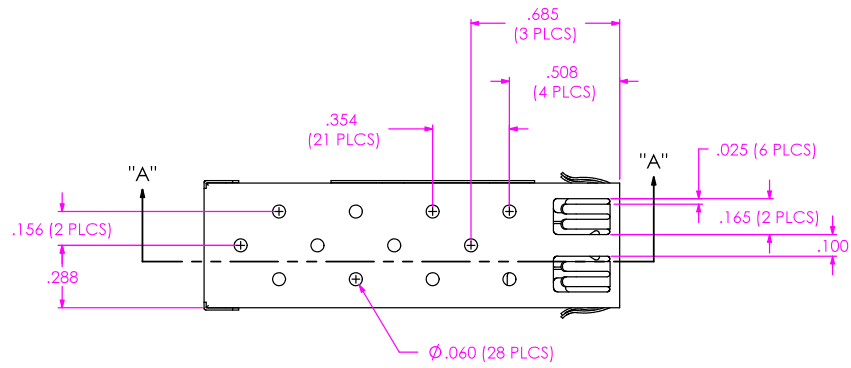
DO NOT SCALE FROM THIS PRINT



**SAMTEC**  
520 Park East Blvd. New Albany, IN 47151  
Phone (812) 944-6733 Fax (812) 948-5047  
e-Mail: [INFO@SAMTEC.COM](mailto:INFO@SAMTEC.COM) CODE: 55322

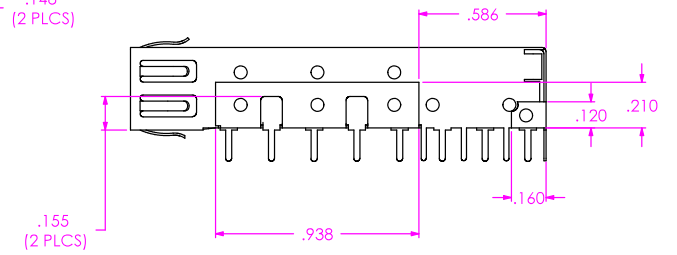
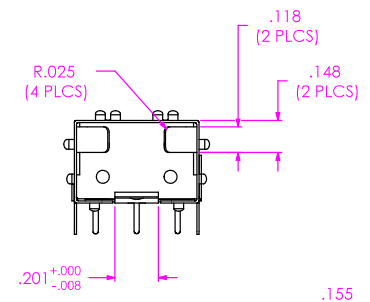
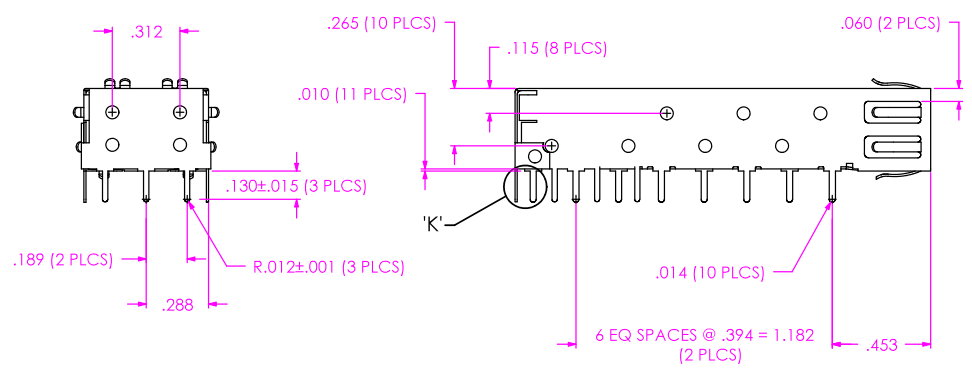


F

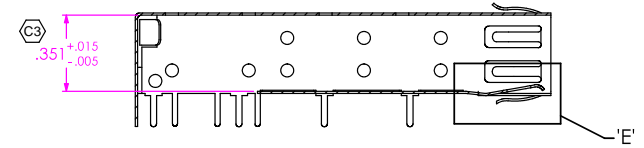
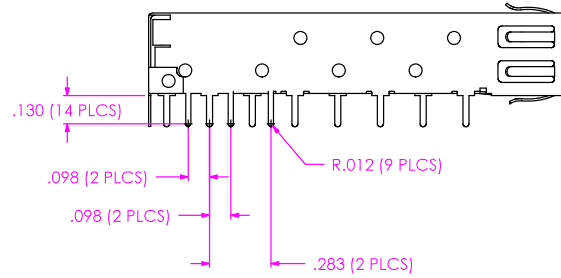
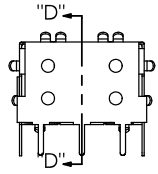


DETAIL 'B'  
SCALE 5:1

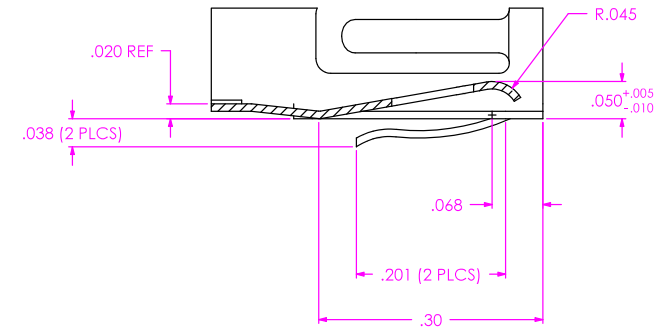
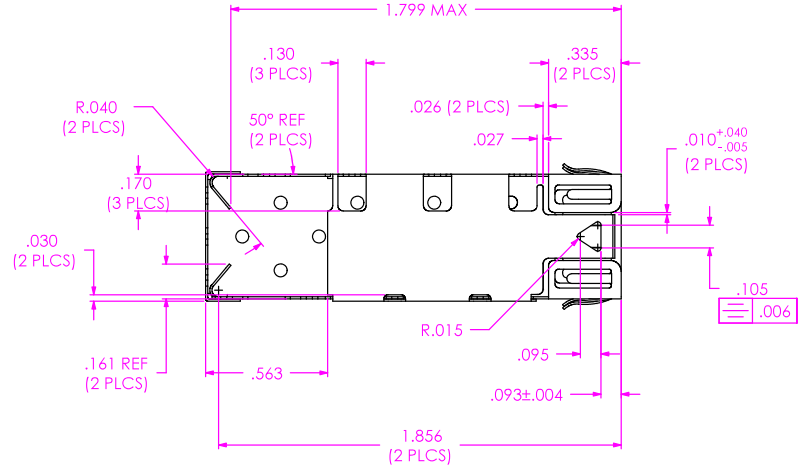
SECTION "A"-"A"



<p>PROPRIETARY NOTE THE DOCUMENT CONTAINS INFORMATION CONFIDENTIAL AND PROPRIETARY TO SAMTEC, INC. AND SHALL NOT BE REPRODUCED OR TRANSMITTED TO OTHER DOCUMENTS OR DECLARED TO OTHERS OR USED FOR ANY PURPOSE OTHER THAN THAT WHICH WAS OBTAINED WITHOUT THE EXPRESSED WRITTEN CONSENT OF SAMTEC, INC.</p> <p>DO NOT SCALE DRAWING</p> <p>SHEET SCALE: 1:5:1</p>	<p><b>SAMTEC</b></p> <p>520 Park East Blvd. New Albany, IN 47151 Phone (812) 944-6733 Fax (812) 948-5047 e-Mail: <a href="mailto:INFO@SAMTEC.COM">INFO@SAMTEC.COM</a> CODE: 55322</p>	
	DESCRIPTION: SFP SOLDER IN CAGE	
	DWG. NO. SFPC-SL	
	BY: KEVIN B	8/22/2002



SECTION "D"-D"



DETAIL 'E'  
SCALE 6:1

<p><b>PROPRIETARY NOTE</b> THE DOCUMENT CONTAINS INFORMATION CONFIDENTIAL AND PROPRIETARY TO SAMTEC, INC. AND SHALL NOT BE REPRODUCED OR TRANSFERRED TO OTHER DOCUMENTS OR DISCLOSED TO OTHERS OR USED FOR ANY PURPOSE OTHER THAN THAT WHICH WAS OBTAINED WITHOUT THE EXPRESSED WRITTEN CONSENT OF SAMTEC, INC.</p> <p>DO NOT SCALE DRAWING</p> <p>SHEET SCALE: 1:75:1</p>	<p><b>SAMTEC</b> 520 Park East Blvd. New Albany, IN 47151 Phone (812) 944-6733 Fax (812) 948-5047 e-Mail: <a href="mailto:INFO@SAMTEC.COM">INFO@SAMTEC.COM</a> CODE: 55322</p>	
	<p>DESCRIPTION: SFP SOLDER IN CAGE</p>	<p>DWG. NO. SFPC-SL</p>
<p>BY: KEVIN B</p>	<p>8/22/2002</p>	<p>SHEET 3 OF 3</p>