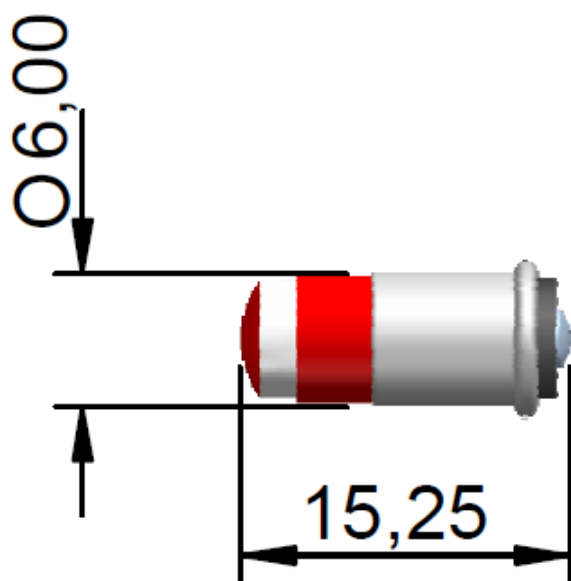


Datasheet

Midget Flange LED Indicator Lamp

RS Stock number 204-524

Dimensions (mm):



Specifications:

LED/Multiled	Multiled	Optimum voltage (V)	12vdc	Intensity	45mcd
Mounting Size		Rectifier			
Mounting Finish		AC current			
Protection		DC current	30mA		
Mount Holder	T1 ¼ Midget Flange	Voltage Tolerance(%)	10%		
Chip Qty	6	Optimum temperature (°C)	-30°C...+60°C		
Indicator colour	Yellow	Storage temperature (°C)	-30°C...+60°C		
Wavelength (nm)	585	Contact Tab x 2	Midget Flange Base		