

# MASTER LEDspot LV

MAS LEDspotLV D 7-35W 930 MR16 36D



Delivering a warm, halogen-like accent beam, MASTER LEDspot LV is an ideal retrofit solution for spot and general lighting applications in the hospitality industry. It is particularly suited to public areas such as receptions, lobbies, corridors, stairwells and washrooms, where the light is on all the time. The robustly designed MASTER LEDspot offers a choice of beam angles for a clearly defined beam spread. There is no UV or IR in the beam, making it suitable for illuminating heat-sensitive objects (food, organic materials, paintings, etc.). The patented intelligent driver enables broad compatibility with existing electromagnetic and electronic halogen transformers. The dimmable versions drive further efficiencies, while helping to create the desired atmosphere.

## Product data

### • General Information

Cap-Base	GU5.3
Bulb Shape	MR16 [ 2inch/50mm]
Nominal Lifetime (Nom)	40000 h
Switching Cycle	50000X
B50L70	40000
Technical Type	7-35W

### • Light Technical

Color Code	930 [ CCT of 3000K]
Beam Angle (Nom)	36 °
Light Distribution	Medium beam 36°
Luminous Flux (Nom)	440 lm
Luminous Flux (Rated) (Nom)	440 lm
Luminous Intensity (Nom)	1200 cd
Color Designation	White (WH)
Rated Beam Angle	36 °
Correlated Color Temperature (Nom)	3000 K
Luminous Efficacy (rated) (Nom)	57.86 lm/W
Color Consistency	6 steps
Color Rendering Index (Nom)	90
LLMF At End Of Nominal Lifetime (Nom)	70 %

Luminous Flux In 90° Cone (Rated)	405 lm
-----------------------------------	--------

### • Operating and Electrical

Power (Rated) (Nom)	7 W
Lamp Current (Nom)	720 mA
Wattage Equivalent	35 W
Starting Time (Max)	0.5 s
Warm Up Time To 60% Light (Nom)	1 s
Power Factor (Nom)	0.7
Voltage (Nom)	12 V

### • Temperature

T-Case Maximum (Nom)	92 °C
----------------------	-------

### • Controls and Dimming

Dimmable	Yes
----------	-----

### • Approval and Application

Energy Saving Product	Yes
Suitable For Accent Lighting	Yes
Energy Efficiency Label (EEL)	A

# PHILIPS

# MASTER LEDspot LV

Energy Consumption 8 kWh  
kWh/1000 h

## • Product Data

Full product code 871869665931100  
Order product name MAS LEDspotLV D 7-35W 930 MR16 36D

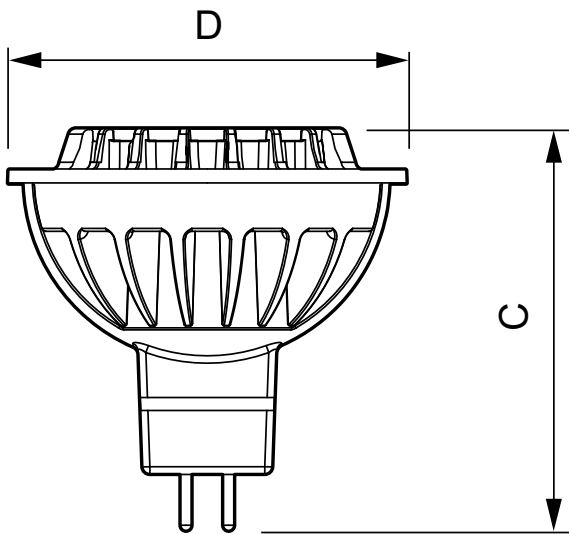
EAN/UPC - Product 8718696659311  
Order code 929001153232  
Numerator - Quantity Per Pack 1  
Numerator - Packs per outer box 10  
Material Nr. (12NC) 929001153232  
Net Weight (Piece) 0.045 kg

## Warnings and Safety

- Operating temperature range is between -20° C and 45° C ambient

- Only to apply in dry or damp locations and most of open fixtures with lamp-holders that offer sufficient space (10 mm free air space)
- Not intended for use with emergency light fixtures or exit lights

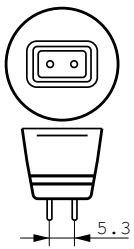
## Dimensional drawing

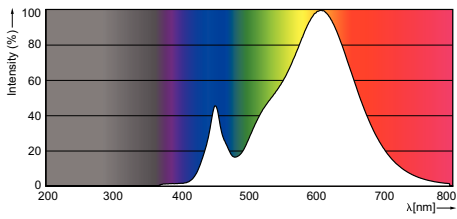
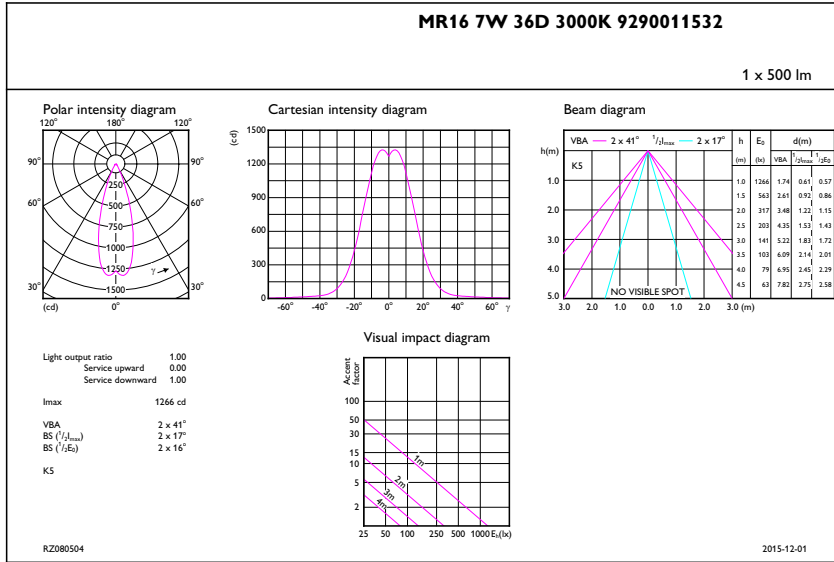


7-35 W GU5.3 MR16

## LED D 7-35W 830 MR16 36D

Product	D	C
MAS LEDspotLV D 7-35W 930 MR16 36D	50.5 mm	50.5 mm





© 2016 Philips Lighting Holding B.V.  
All rights reserved.

Specifications are subject to change without notice. Trademarks are the property of Koninklijke Philips N.V. (Royal Philips) or their respective owners.

[www.philips.com/lighting](http://www.philips.com/lighting)

2016, September 14  
data subject to change