



PRODUCT DATASHEET

Tyra3 series

last update 13/8/2014

DETAILS

Product Number	C12359_TYRA3-WW
Family	Tyra3
Type	Reflector
Color	metal
Diameter	40 mm
Height	22,5 mm
Style	round
Optic Material	PC
Holder Material	
Fastening	glue
Status	ready
ROHS Compliant	Yes
Date Updated	13/08/2014



OPTICAL PROPERTIES

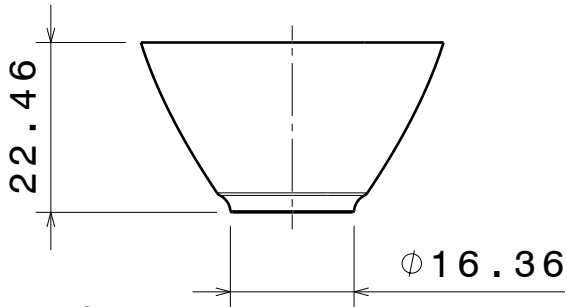
LED	Viewing Angle	Light Beam	Efficiency	cd/lm	Connector
NSBxL110	sim: 62	Very Wide	-	sim: 0.000	-
CL-L233	64 deg	Very Wide	90 %	0.820	-

D

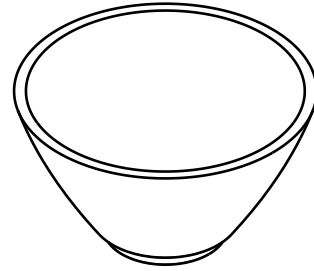
C

B

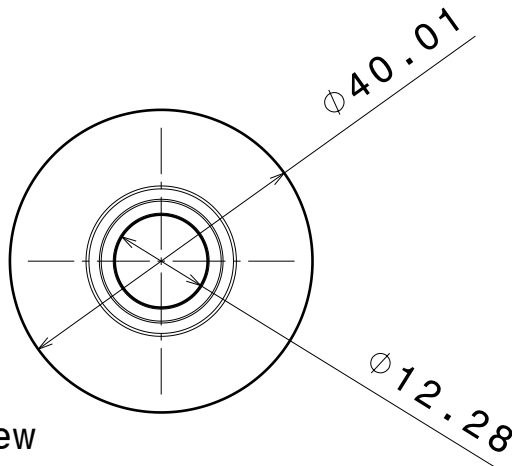
A



Front view



Isometric view



Bottom view

INDEX	PART NO	DESCRIPTION	MATERIAL	COLOUR
1	C12359	TYRA3-WW	PC	metal

Tolerances if not otherwise shown
 According to DIN ISO 2768-1
 Linear measures: class C
 According to DIN ISO 2768-2
 Form and position: class L

LEDiL

Ledil Oy
 Salorankatu 10
 FIN 24240 SALO
 Finland

THIRD ANGLE PROJECTION:



DRAWING TITLE

C12359_TYRA3-WW

This drawing is the property
 of LEDiL Oy. It may not be
 reproduced, copied or
 communicated without a written
 agreement with LEDiL Oy.

SIZE PART NUMBER

A4

C12359

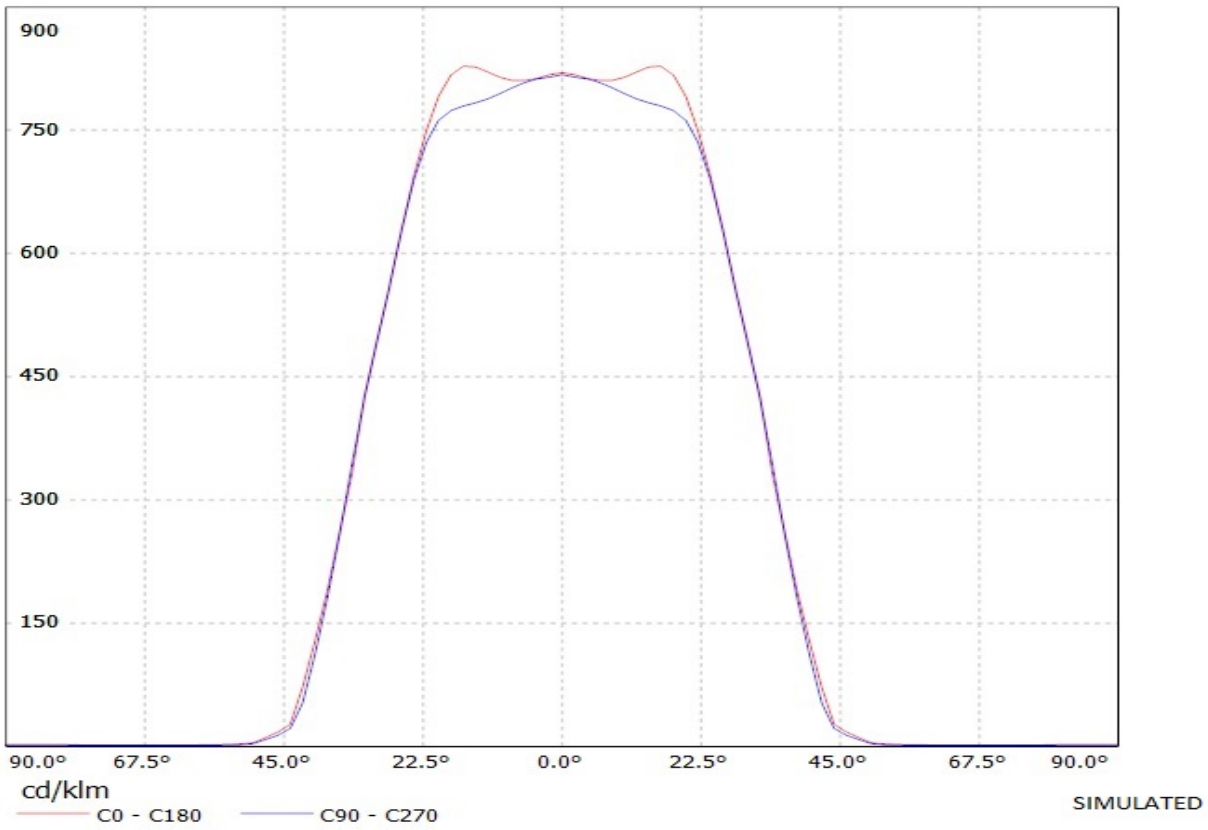
SCALE	1:1	WEIGHT	5,28 g	SHEET	1/1
-------	-----	--------	--------	-------	-----

D

A

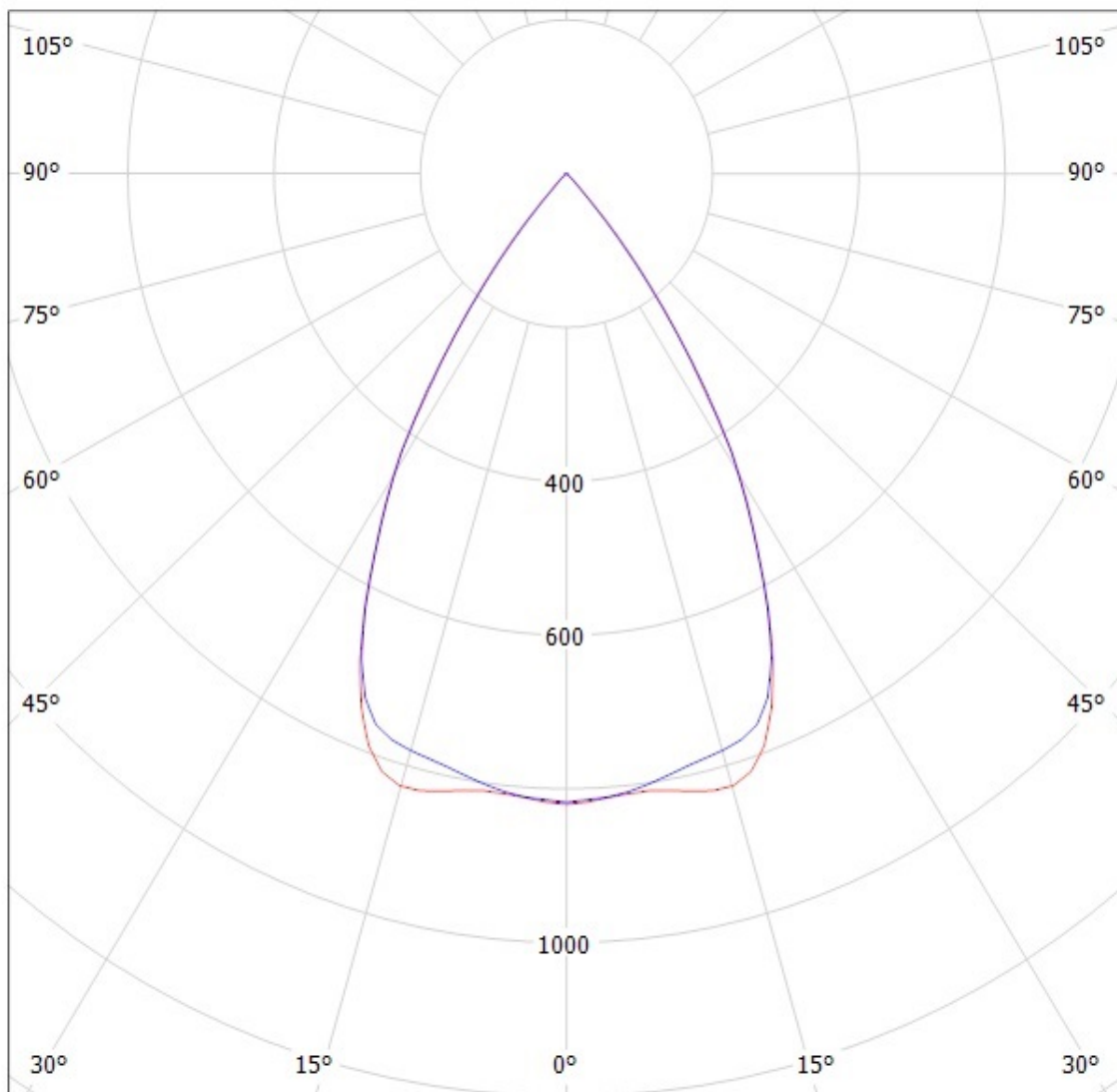
Ledil Oy C12359-Tyra3-WW C12359-Tyra3-WW Citizen CL-L233 (warm) 280lm @ 250mA LOR=90% / LDC (Linear)

Luminaire: Ledil Oy C12359-Tyra3-WW C12359-Tyra3-WW Citizen CL-L233 (warm) 280lm @ 250mA LOR=90%
Lamps: 1 x Citizen CL-L233 (warm) 280lm @ 250mA



Ledil Oy C12359-Tyra3-WW C12359-Tyra3-WW Citizen CL-L233 (warm) 280lm @ 250mA LOR=90% /
LDC (Polar)

Luminaire: Ledil Oy C12359-Tyra3-WW C12359-Tyra3-WW Citizen CL-L233 (warm) 280lm @ 250mA LOR=90%
Lamps: 1 x Citizen CL-L233 (warm) 280lm @ 250mA



cd/klm

— C0 - C180 — C90 - C270

SIMULATED

NOTE: The typical divergence will be changed by different color, chip size and chip position tolerance. The typical total divergence is the full angle measured where the luminous intensity is half of the peak value.

GENERAL INFORMATION

- Product series especially designed & optimized for series of LEDs.
- Special care taken to make light distribution as uniform as possible.
- Reflector is made of aluminium coated PC (120 degrees of Celcius / 248 degrees of Fahrenheit) with protective lacquer (short term 100 degrees of Celcius / 212 degrees of Fahrenheit).
- Fastening to PCB with appropriate adhesive. By clicking link below you can find Ledil recommended glue options.
http://www.ledil.com/datasheets/DataSheet_GLUES.pdf

Note! Due to use of high power COB's with this product, special attention to proper thermal design is highly recommended. LEDiL has no liability for direct, indirect or consecutive damages arising from the LEDiL products being used outside of the recommended temperature range.

NOTE 1: We advise customer to ensure the suitability and sufficiency of the bond in the end product. For example, mechanical stress, vibration and holes on the surface of the circuit board weaken the strength of the glue.

NOTE 2: All surfaces where glue is applied must be clean, dry and free from grease and dirt. If cleaning of PCB surfaces is needed, please follow strictly the cleaning instructions of your LED manufacturer -this is important as cleaning shall under no circumstances damage LEDs or other electronics components on the PCB.

Further note that optical components shall not be cleaned with any chemicals - only micro fiber cloth may be used to remove fingerprints or other traces from handling.