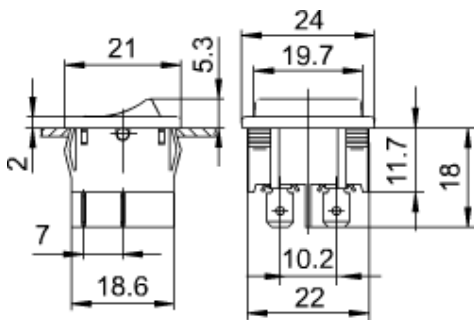




Marquardt Mechatronik GmbH
Schloss-Str. 16
78604 Rietheim-Weilheim
Germany

Phone: +49 (0) 7424 / 99-0
Fax: +49 (0) 7424 / 99-2399
Net: www.marquardt.de
E-mail: marquardt@marquardt.de

Product image / Drawings



X = wall thickness

X	Y	Z
0.75 ... 1.25	19.2 -0.1	21.9 +0.1
1.25 ... 2	19.4 -0.1	21.9 +0.1
2 ... 3	19.8 -0.1	21.9 +0.1

Technical data

Product number	1802.1108	
Product family	Rocker switches	
Actuation type	direct	
Weight	5.764 g	
Switch on continuous current (capacitive)	5 A	
Inrush current (capacitive)	50 A	
ROHS conform	yes	
Switching function	ON / OFF switch (DPST)	
Material fixed contact	Ag	
Number of poles	2 - pole	
connections	Quick-connect terminal, 4.8 x 0.8	
Mechanical life endurance	10E4	
Rating IEC	10 (4) A 250 V AC 1E4 6 (4) A 250 V AC 5E4	
Rating North America	6 A 125 V AC 1/4 HP 6 A 250 V AC 1/2 HP	
Contact resistance (new condition)	< 100 (1 A 12 V DC) mOhm	
Insulation resistance (new condition)	> 100 (500 V DC) MOhm	
Voltage strength at 250 V	function insulation / basic insulation	1 500 V
	reinforced insulation	3 000 V
	small contact distance	500 V
Proof tracking	250 PTI	
Insulation spacing	acc. to EN 61058 for reinforced or double insulation	
Protection type	Connection	IP 40
	Actuator	IP 40
Temperatures	Connection side min.	-20 °C
	Connection side max.	100 °C
	Actuation side min.	-20 °C
	Actuation side max.	55 °C
	Storage temperature min.	-40 °C
	Storage temperature max.	80 °C
Flammability	UL 94 V-2	
Glow wire test temperature	850 °C	
Actuators and additional actuators	rocker: PA, black, identification white	
Housing description	housing: PA, black	
Connection surface	bearing connection	silver plated
	external connection	silver plated
Contact material	Cu silver plated	
Contact distance	≥ 3 mm	
Rating Code UL	R 30	
Contact type	lifting contact	
Plug force of the terminals	≤ 80 N	
Approval marks	CSA / ENEC 05 / UL	
Suitable for appliances of protection class	II	
Type of fastening	Snap fastening	
Stock version	●	