



ENGLISH

Datasheet

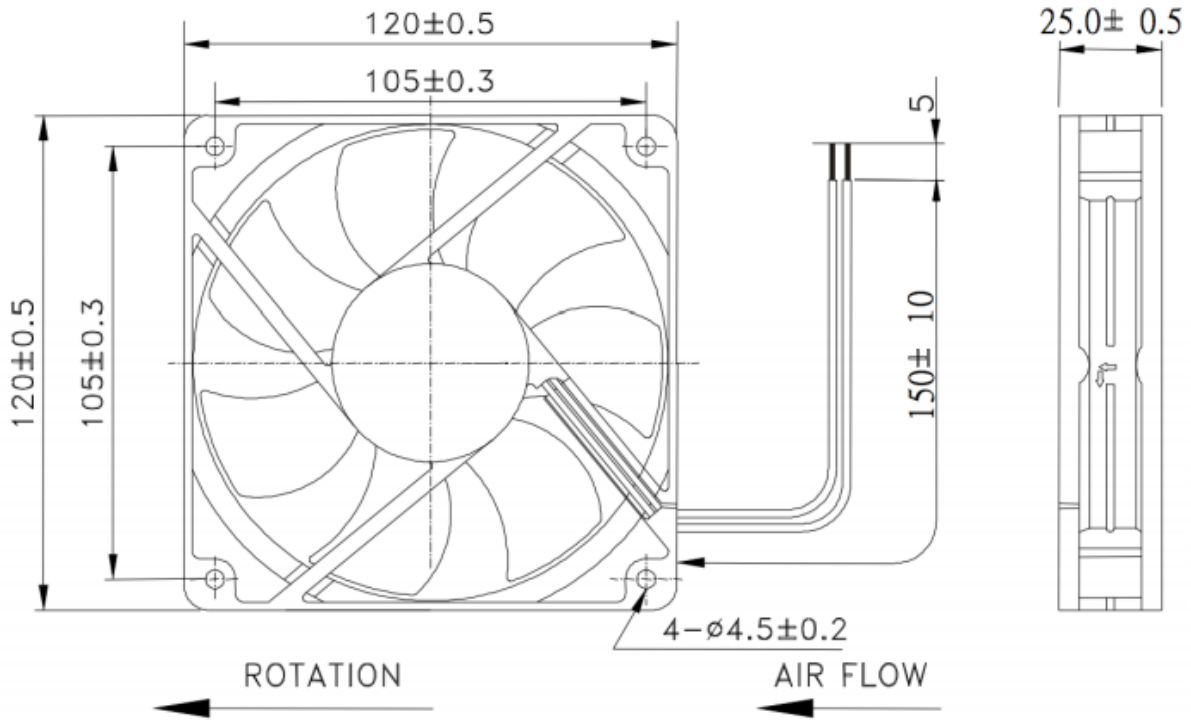
DC Axial Fan, 120 x 120 x 25mm, 151.3m/h, 5W, 24 V dc (OD1225 Series)

RS Stock number [619-6501](#)



| RS Order Number | 6196494 | 6196501 | 5415097 | 5415104 | 5415356 |
|----------------------|-------------|-------------|-------------|-------------|-------------|
| Model Number | OD1225-12HB | OD1225-24HB | OD1225-12LB | OD1225-12MB | OD1225-24MB |
| Nominal Voltage | 12VDC | 24VDC | 12VDC | 12VDC | 24VDC |
| Nominal Current | 0.37 A | 0.19 A | 0.24 A | 0.33 A | 0.17 A |
| Rated Power | 5 W | 5 W | 3 W | 4 W | 4 W |
| Rated Speed (RPM) | 2200 | 2200 | 1800 | 2050 | 2050 |
| Airflow (CFM) | 89 | 89 | 72 | 83 | 83 |
| Noise Level (dB) | 39 | 39 | 34 | 38 | 38 |
| Max. Static Pressure | 0.14" H2O | 0.14" H2O | 0.10" H2O | 0.12" H2O | 0.12" H2O |

Drawing(mm):



Specifications:

- Frame & Impeller: PBT, UL94V-O plastic
- Connection: 2x Lead wires 24AWG
- Motor: Brushless DC, auto restart, polarity protected
- Bearing System: Dual ball bearing
- Insulation Resistance: 10M ohm between lead wire and frame (500VDC)
- Dielectric Strength: 1 second at 500 VAC, max leakage – 500 MicroAmp
- Operating Temp: $-10^{\circ}\text{C} \sim 70^{\circ}\text{C}$
- Life Expectancy: 65,000 hours (45C)

Available options:

- Tachometer
- Alarm
- Thermal control
- IP55 water resistance
- 48V