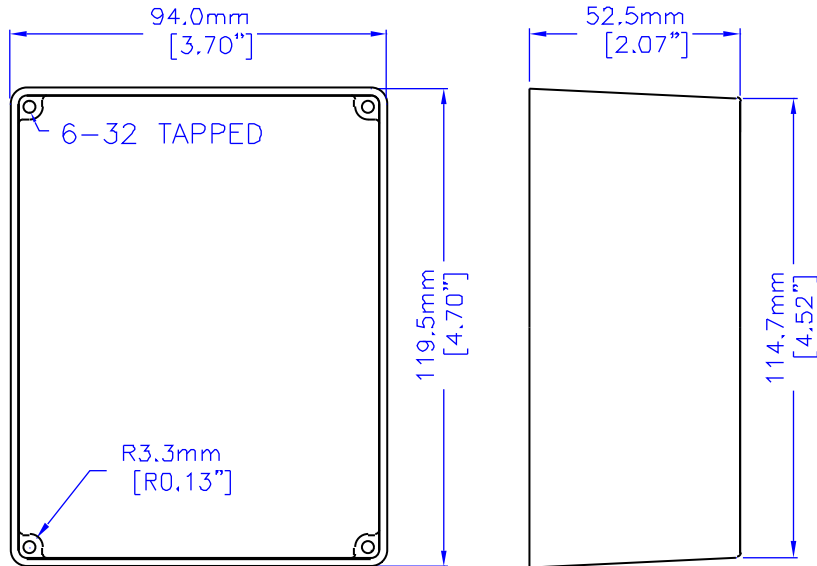


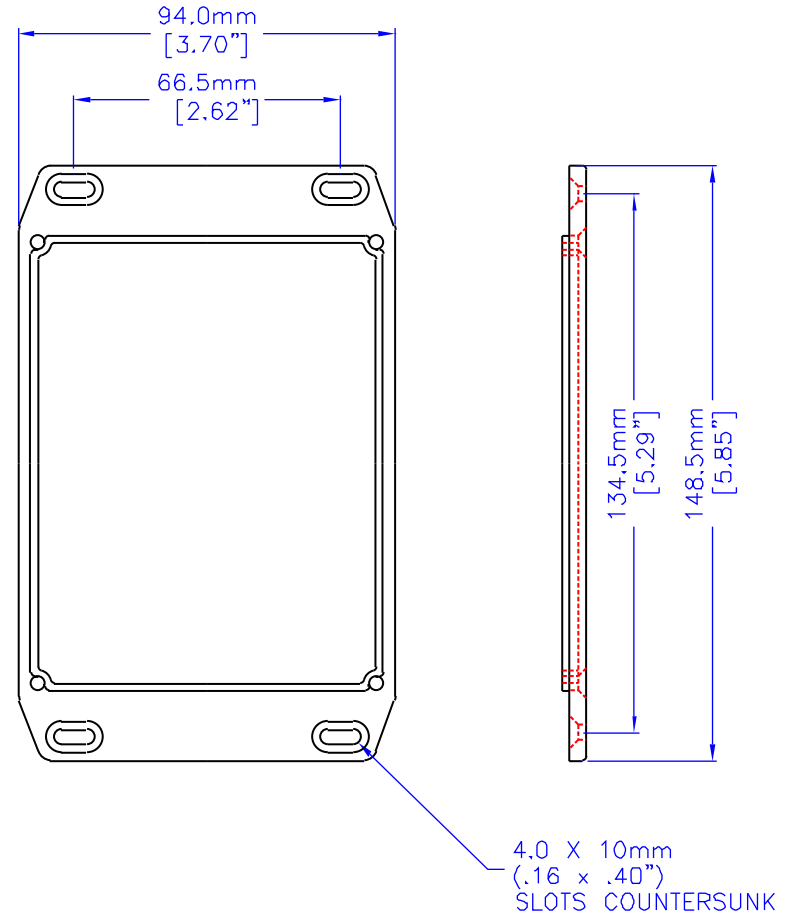
NOTES

MATERIAL: -DIECAST ALUMINUM ALLOY.  
-FOUR 6-32 Phillips SCREWS.

VIEW OF BOX (LID REMOVED)



VIEW INSIDE LID



NOTE:  
FOR DETAIL  
DIMENSIONING  
REFER TO DRAWING  
# 1590C

AVAILABLE FROM STOCK.



HAMMOND MANUFACTURING

1590CFL

CANADA - PH (519) 886 7170 - FAX (519) 886 8311  
U.S.A. - PH (716) 631 5700 - FAX (716) 631 1156

WATERPROOF ENCLOSURES ARE AVAILABLE FROM STOCK  
PART #1590WCFL (SILICONE SEAL, SS SCREWS)  
THE ENCLOSURE WILL AFFORD PROTECTION  
TO NEMA 4 AND IP 65 LEVELS

BLACK AND GREY TEXTURE POWDER COAT FINISH  
ARE STOCK. IDEAL FOR EXTERIOR APPLICATIONS