

# DR S9 High Pressure Regenerative Blower

## FEATURES

- Manufactured in the USA – ISO 9001 compliant
- CE compliant – Declaration of Conformity on file
- Maximum flow: 390 SCFM
- Maximum pressure: 188 IWG
- Maximum vacuum: 10.25" Hg (139.4 IWG)
- Standard motor: 20 HP, ODP
- Cast aluminum blower housing, impeller & cover; cast iron flanges (threaded)
- UL & CSA approved motor with permanently sealed ball bearings
- Quiet operation within OSHA standards when properly piped or muffled – 1 muffler included

## MOTOR OPTIONS

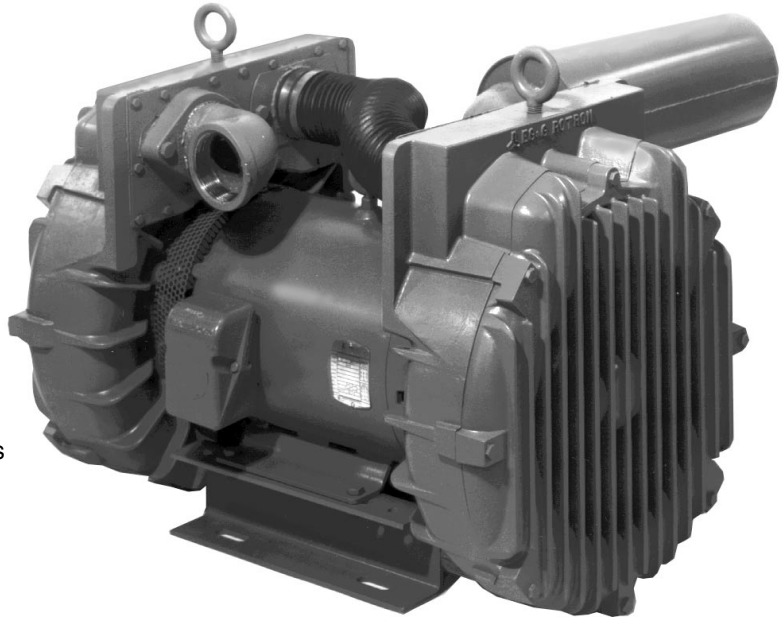
- International voltage & frequency (Hz)
- Chemical duty, high efficiency, inverter duty or industry-specific designs
- Various horsepower for application-specific needs

## BLOWER OPTIONS

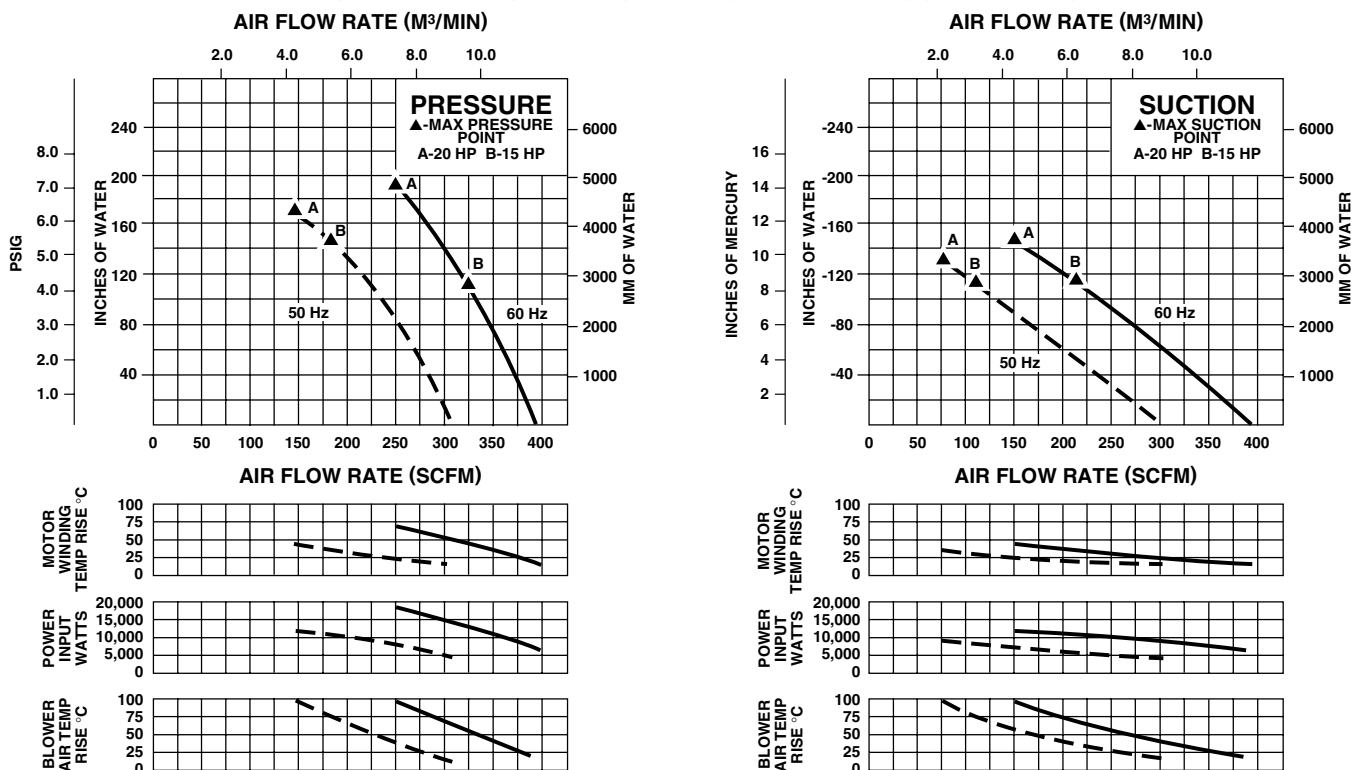
- Corrosion resistant surface treatments & sealing options
- Remote drive (motorless) models
- Slip-on or face flanges for application-specific needs

## ACCESSORIES (See Catalog Accessory Section)

- Flowmeters reading in SCFM
- Filters & moisture separators
- Pressure gauges, vacuum gauges & relief valves
- Switches – air flow, pressure, vacuum or temperature
- External mufflers for additional silencing
- Air knives (used on blow-off applications)
- Variable frequency drive package

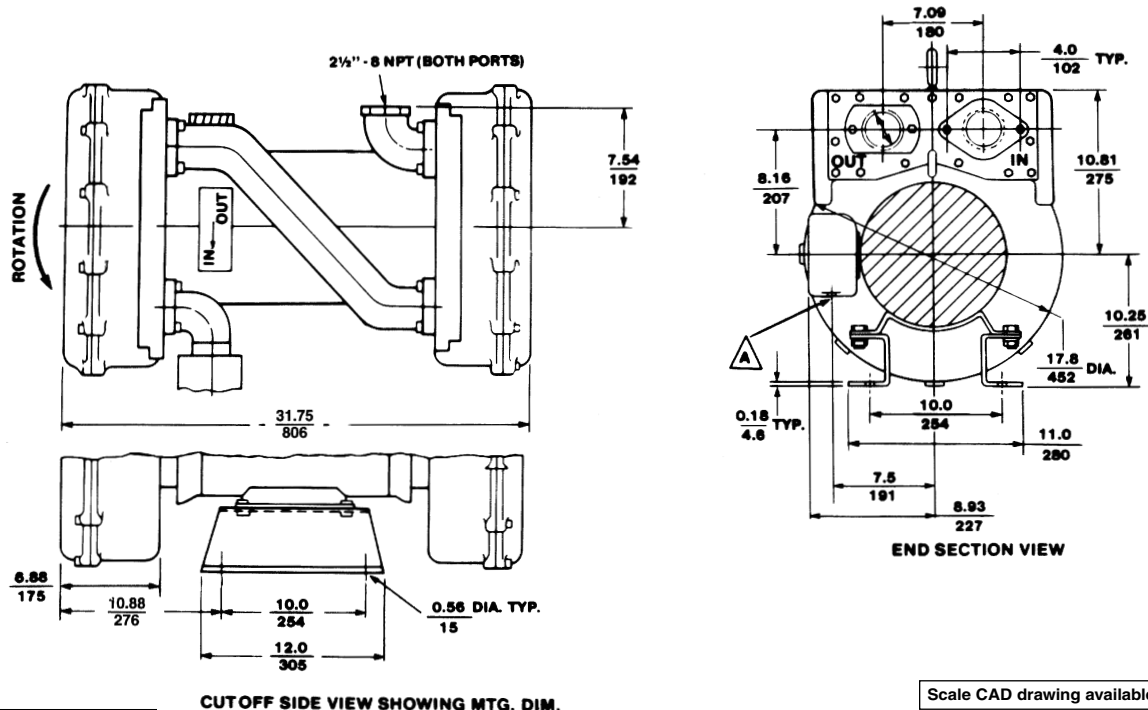


## BLOWER PERFORMANCE AT STANDARD CONDITIONS



Rev. 2/01

# DR S9 High Pressure Regenerative Blower



Scale CAD drawing available upon request.

DIMENSIONS:  $\frac{\text{IN}}{\text{MM}}$   
 TOLERANCES: .XX  $\pm$   $\frac{.1}{2.5}$   
 (UNLESS OTHERWISE NOTED)

**A** 1.37 INCH DIAMETER TERMINAL BOX CONNECTOR HOLE

## SPECIFICATIONS

ALL PRODUCTS LISTED INCLUDE MUFFLER PN515185

MODEL	DRS9BM72	DRS9BM86	DRS9BL72
Part No.	037032	037041	036514
Motor Enclosure – Shaft Material	ODP – CS	ODP – CS	ODP – CS
Horsepower	20	20	15
Voltage <sup>1</sup>	230/460	575	230/460
Phase – Frequency <sup>1</sup>	Three - 60 Hz	Three - 60 Hz	Three - 60 Hz
Insulation Class <sup>2</sup>	F	F	F
NEMA Rated Motor Amps	48/24	20	36/18
Service Factor	1.15	1.15	1.0
Locked Rotor Amps	288/144	115	222/111
Max. Blower Amps <sup>3</sup>	51/25.6	20.4	48/24
Recommended NEMA Starter Size	3/2	2	2/2
Shipping Weight	446 lb (203 kg)	446 lb (203 kg)	418 lb (190 kg)

<sup>1</sup> Rotron motors are designed to handle a broad range of world voltages and power supply variations. Our dual voltage 3 phase motors are factory tested and certified to operate on both: **208-230/415-460 VAC-3 ph-60 Hz** and **190-208/380-415 VAC-3 ph-50 Hz**. Our dual voltage 1 phase motors are factory tested and certified to operate on both: **104-115/208-230 VAC-1 ph-60 Hz** and **100-110/200-220 VAC-1 ph-50 Hz**. All voltages above can handle a  $\pm 10\%$  voltage fluctuation. Special wound motors can be ordered for voltages outside our certified range.

<sup>2</sup> Maximum operating temperature: Motor winding temperature (winding rise plus ambient) should not exceed 140°C for Class F rated motors or 120°C for Class B rated motors. Blower outlet air temperature should not exceed 140°C (air temperature rise plus inlet temperature). Performance curve maximum pressure and suction points are based on a 40°C inlet and ambient temperature. Consult factory for inlet or ambient temperatures above 40°C.

<sup>3</sup> Maximum blower amps corresponds to the performance point at which the motor or blower temperature rise with a 40°C inlet and/or ambient temperature reaches the maximum operating temperature.