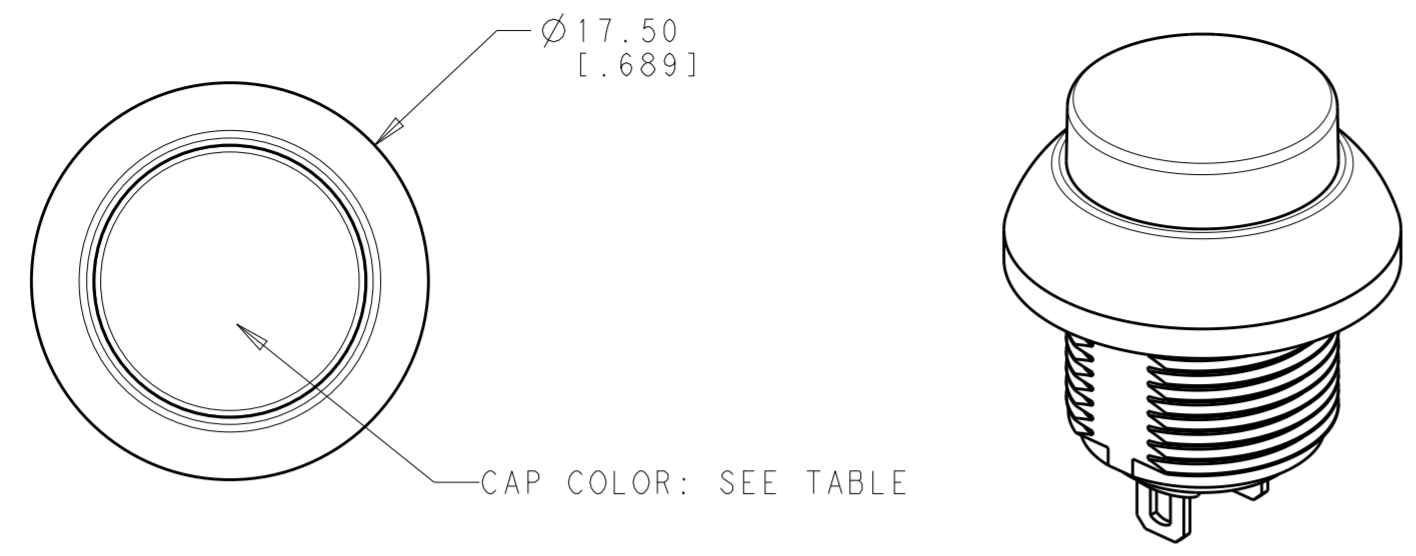


THIS DRAWING IS UNPUBLISHED. RELEASED FOR PUBLICATION  
 © COPYRIGHT copyright.d8te- ALL RIGHTS RESERVED.

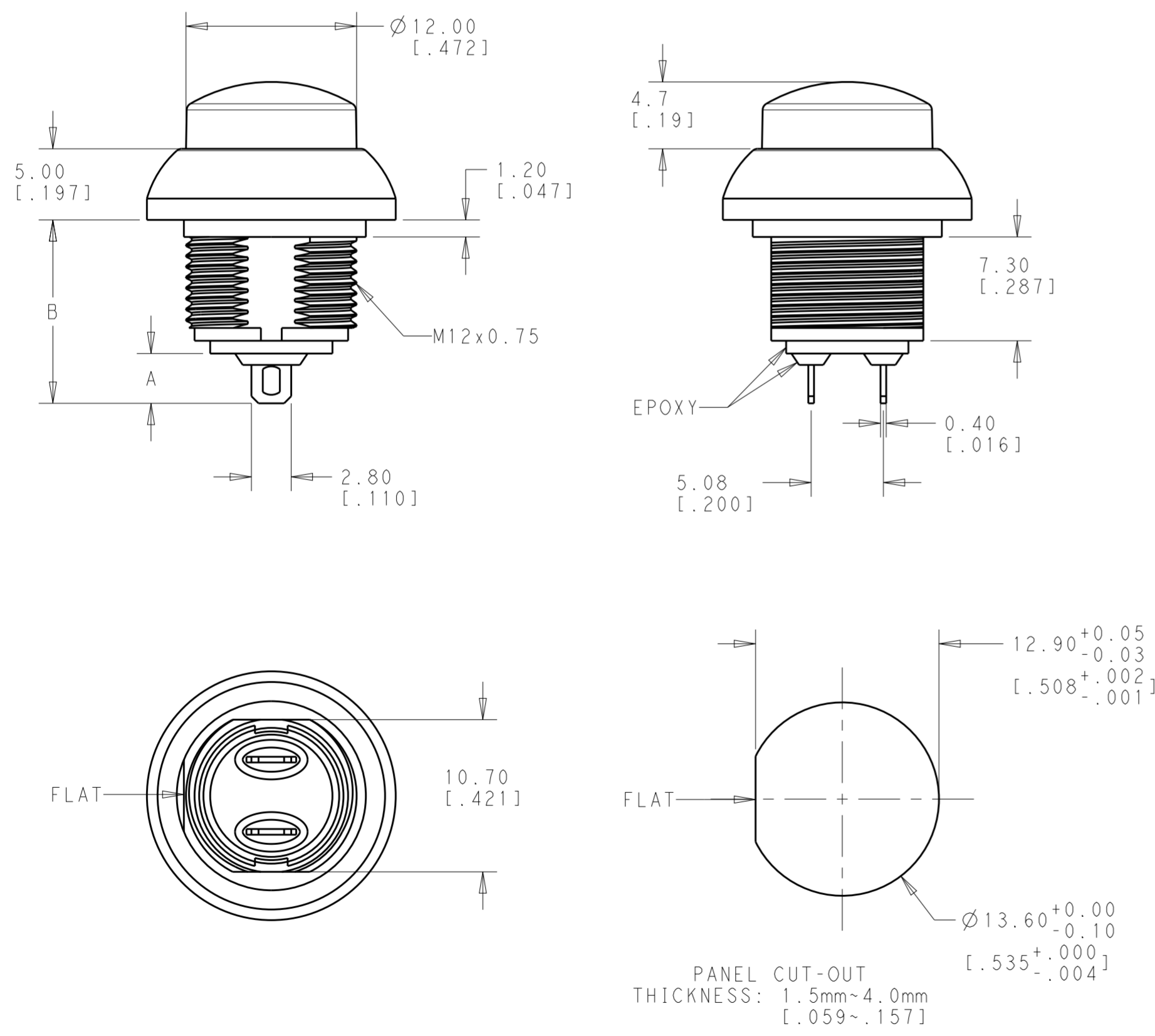
REVISIONS				
P	LTR	DESCRIPTION	DATE	APVD
2		REVISED TOLERANCE	18APR2018	JS AS



SOLDER TO WIRE  
OFF-(ON)

Model No.	POS. 1	POS. 2
	PB6	OFF
CONNECTED TERMINALS	OPEN	CLOSE
SCHEMATIC		

SWITCH FUNCTION



**SPECIFICATIONS:**

MAXIMUM CURRENT/VOLTAGE RATING WITH RESISTIVE LOAD:  
 400mA 32VAC, 200mA 50VDC, 125mA 125VAC  
 INITIAL CONTACT RESISTANCE: 50mΩ MAXIMUM  
 INSULATION RESISTANCE: 1 GΩ MINIMUM AT 500 VDC  
 DIELECTRIC STRENGTH: 1,500 VAC RMS  
 CONTACT BOUNCE: 10ms  
 ELECTRICAL LIFE AT FULL LOAD: 500,000 CYCLES  
 MECHANICAL LIFE: 1,000,000 CYCLES  
 TOTAL TRAVEL: 1.5 (.059)  
 ACTUATION FORCE: 3 TO 6N  
 OPERATING TEMPERATURE: -30° TO 85° C  
 DEGREE OF PROTECTION: IP68, 1 HOUR @ 1 METER  
 TORQUE: 0.5N·m MAXIMUM APPLIED TO NUT

**MATERIALS:**

CAP: POLYAMIDE 6/6  
 PLUNGER: POLYAMIDE 6/6 OR POLYCARBONATE  
 RUBBER: SILICONE  
 BUSHING: POLYAMIDE 6/6  
 CASE: DIALLYL PHTHALATE (DAP) (UL94 V-0)  
 TERMINALS/CONTACTS: COPPER ALLOY, GOLD OVER SILVER PLATED  
 HEX NUT: BRASS, NICKEL PLATED (1)  
 LOCK WASHER: BRASS, NICKEL PLATED (1)  
 O-RING: SILICONE (1)  
 SPRING: STEEL

**PACKAGING:**

SWITCHES ARE PACKAGED INDIVIDUALLY IN TRAYS. HARDWARE IS NOT ASSEMBLED TO THE SWITCH.

**COMPLIANCE:**

ALL MATERIALS AND FINISHES SHALL COMPLY WITH EU DIRECTIVE 2002/95/EC OF 27JAN2003(RoHS)

**SOLDER PROCESSING:**

MANUAL SOLDERING: SOLDER IRON, 30 WATTS, CONTROLLED AT 350° C, APPROXIMATELY 5 SECONDS WHILE APPLYING SOLDER.

**WAVE SOLDERING:**

260+/-5° C, 5 SECONDS MAXIMUM DURATION, PCB THICKNESS 1.6MM  
 110°C MAXIMUM AMBIENT TEMPERATURE OF THE SOLDER SURFACE OF THE PC BOARD.

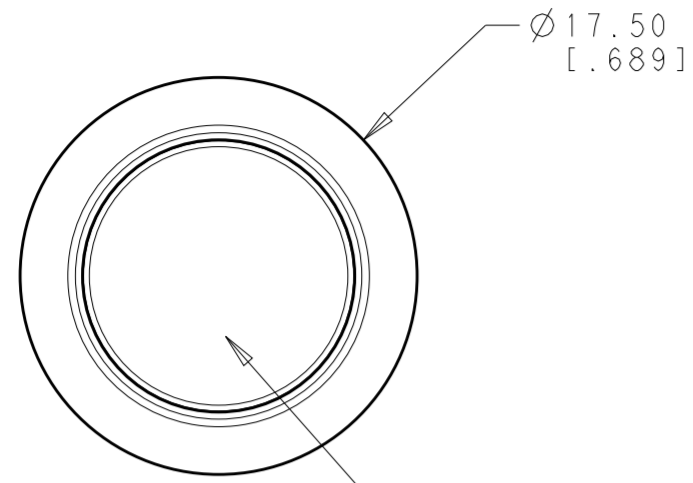
1. HARDWARE IS SHIPPED UNASSEMBLED.

THIS DRAWING IS A CONTROLLED DOCUMENT.		DWN RAVLS 21FEB2018	TE Connectivity	
DIMENSIONS: mm [INCHES]		CHK ALEXANDER SHARPE 21FEB2018		
TOLERANCES UNLESS OTHERWISE SPECIFIED:		APVD ALEXANDER SHARPE 21FEB2018	NAME SWITCH, PUSHBUTTON, HIGH CAP NO LED, SOLDER TERMINATION, SEALED, OFF-(ON) AND ON-(OFF)	
0 PLC ± 1 PLC ±0.4 [0.016] 2 PLC ±0.25 [0.010] 3 PLC ± 4 PLC ± ANGLES ±5° FINISH -		PRODUCT SPEC -	SIZE A200779	DRAWING NO C-2329328
MATERIAL -		APPLICATION SPEC -	RESTRICTED TO	
		WEIGHT -	SCALE 4:1	SHEET 1 OF 4
		CUSTOMER DRAWING	REV 2	

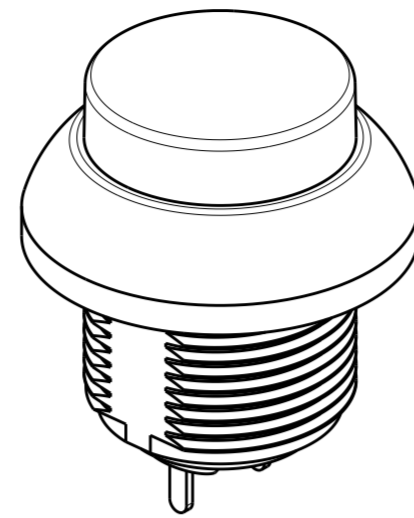
THIS DRAWING IS UNPUBLISHED. RELEASED FOR PUBLICATION  
 © COPYRIGHT copyright.d8te- ALL RIGHTS RESERVED.

REVISIONS					
P	LTR	DESCRIPTION	DATE	DWN	APVD
		SEE SHEET 1			

SOLDER TO PCB  
OFF - (ON)

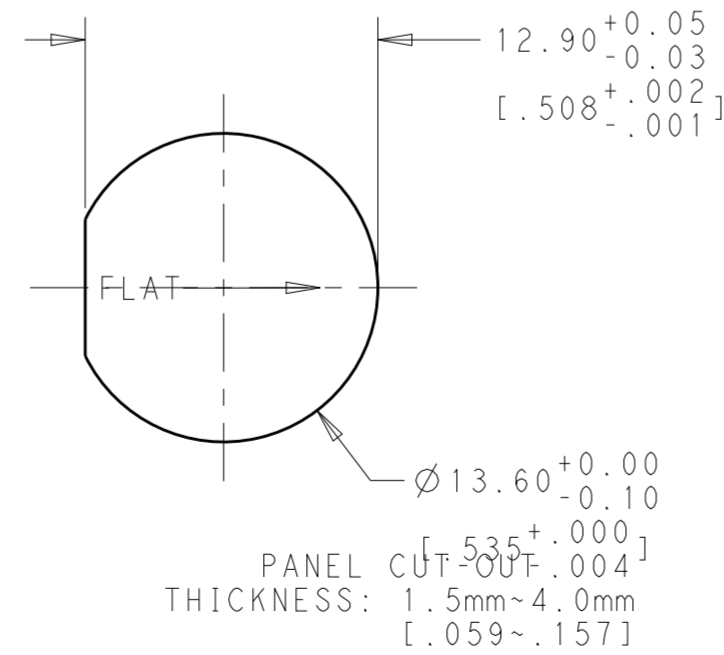
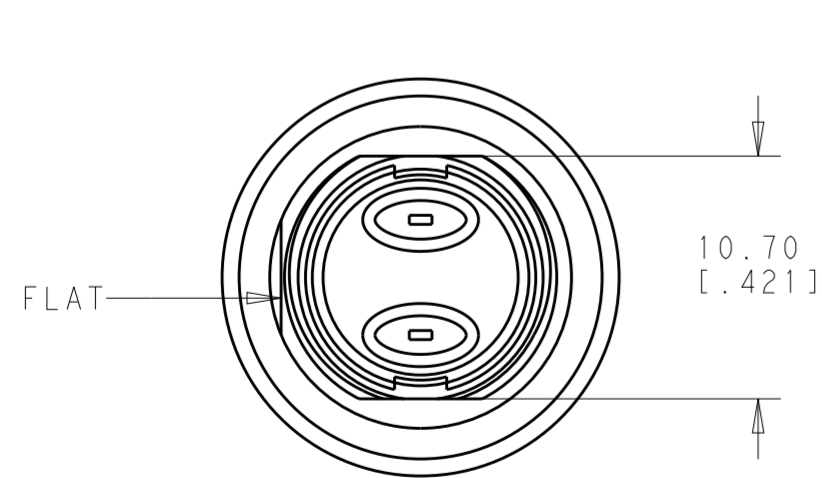
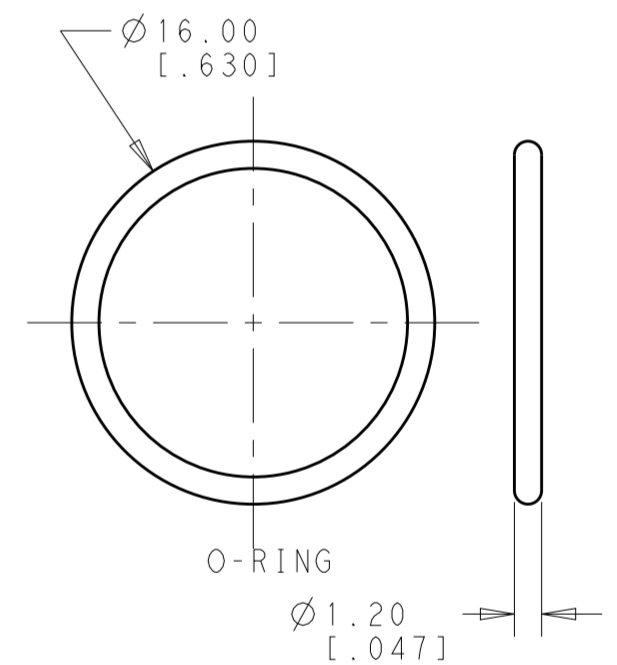
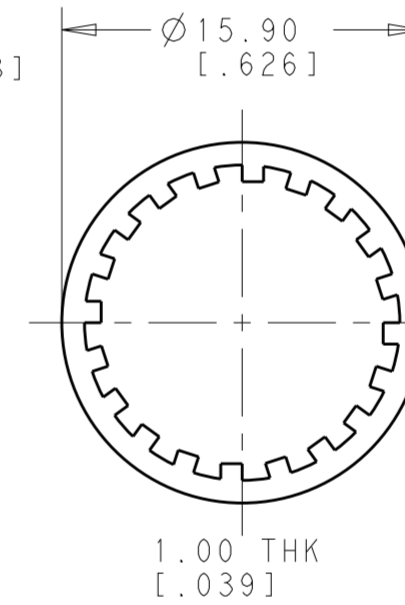
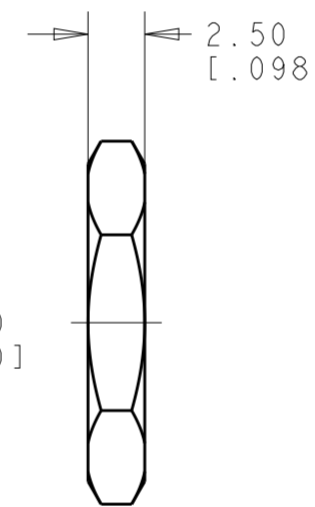
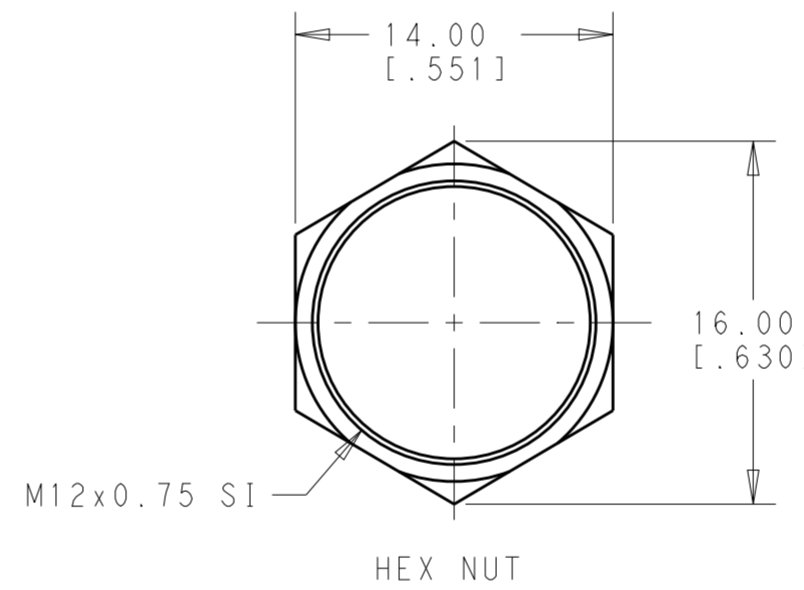
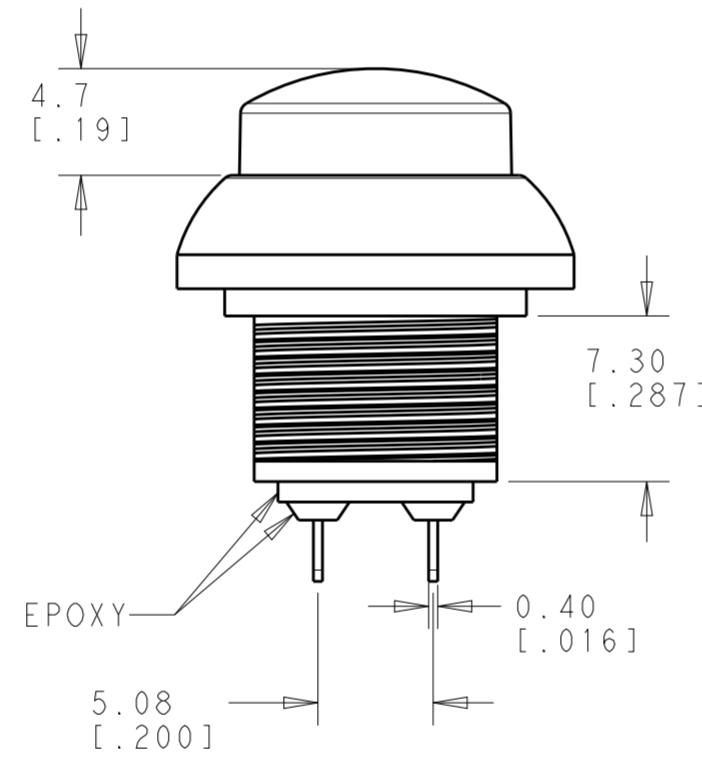
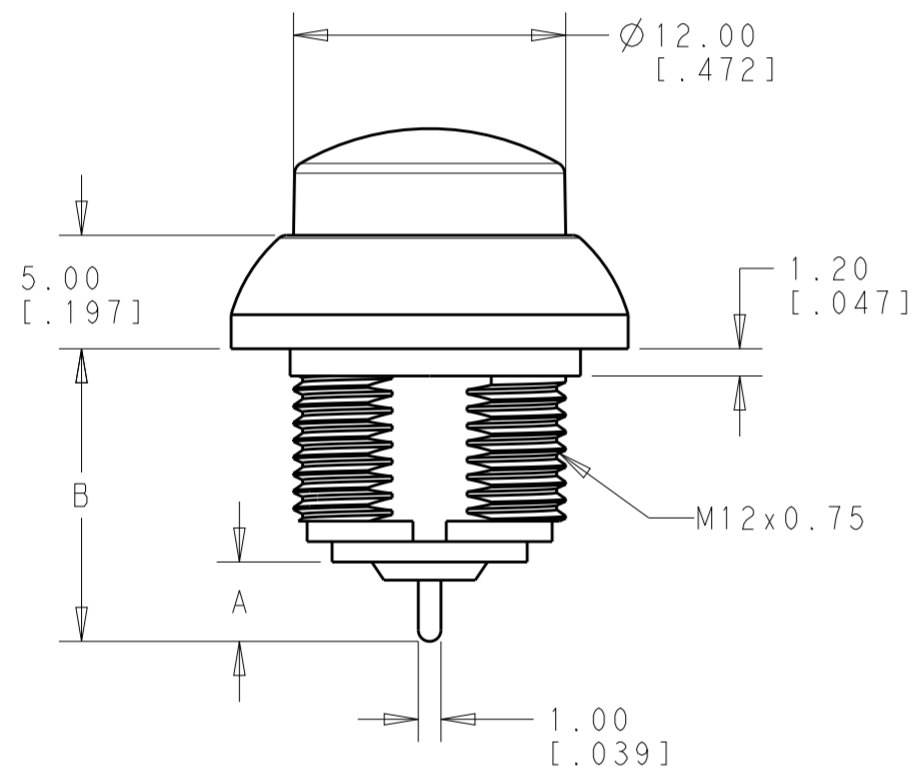


CAP COLOR: SEE TABLE



Model No.	POS. 1	POS. 2
PB6	OFF	MOM(ON)
CONNECTED TERMINALS	OPEN	CLOSE
SCHEMATIC		

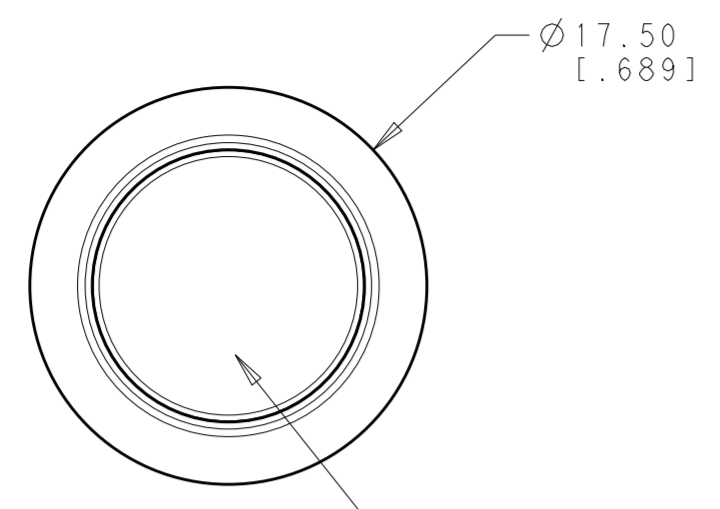
SWITCH FUNCTION



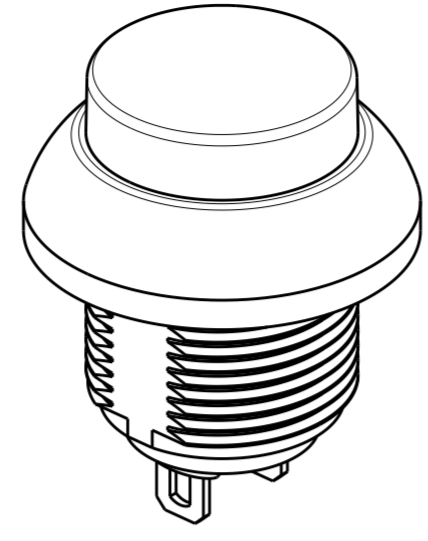
THIS DRAWING IS A CONTROLLED DOCUMENT.		DWN RAVLS 21FEB2018	TE Connectivity	
DIMENSIONS: mm [INCHES]		CHK ALEXANDER SHARPE 21FEB2018		
TOLERANCES UNLESS OTHERWISE SPECIFIED:		APVD ALEXANDER SHARPE 21FEB2018	NAME SWITCH, PUSHBUTTON, HIGH CAP NO LED, SOLDER TERMINATION, SEALED, OFF-(ON) AND ON-(OFF)	
0 PLC ±	1 PLC ±0.4 [.016]	PRODUCT SPEC	SIZE CAGE CODE DRAWING NO RESTRICTED TO	
2 PLC ±0.25 [.010]	3 PLC ±	APPLICATION SPEC	A200779 C-2329328	
4 PLC ±	ANGLES ±5°	WEIGHT	SCALE 4:1 SHEET 2 OF 4 REV 2	
MATERIAL	FINISH	CUSTOMER DRAWING		

THIS DRAWING IS UNPUBLISHED. RELEASED FOR PUBLICATION  
 © COPYRIGHT copyright.d8te- ALL RIGHTS RESERVED.

REVISIONS				
P	LTR	DESCRIPTION	DATE	APVD
-		SEE SHEET 1	-	-



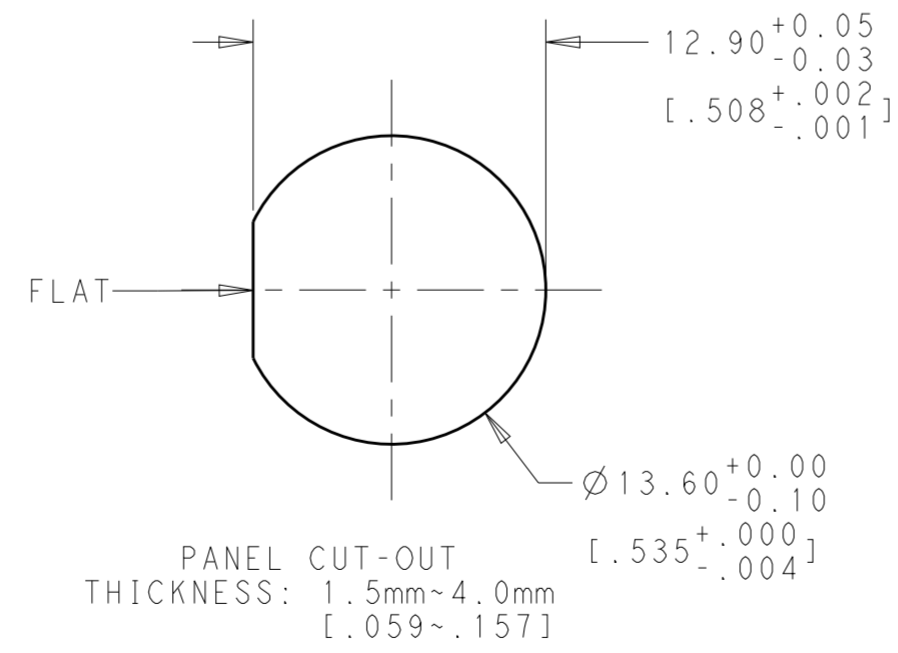
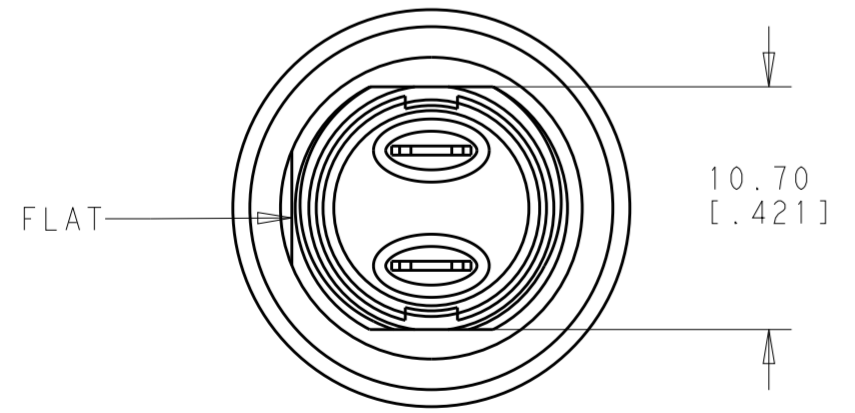
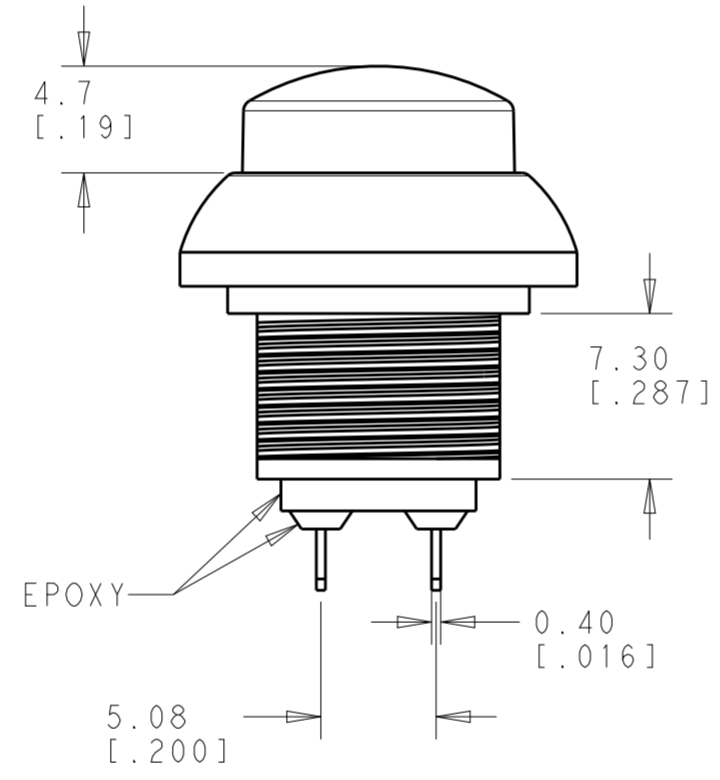
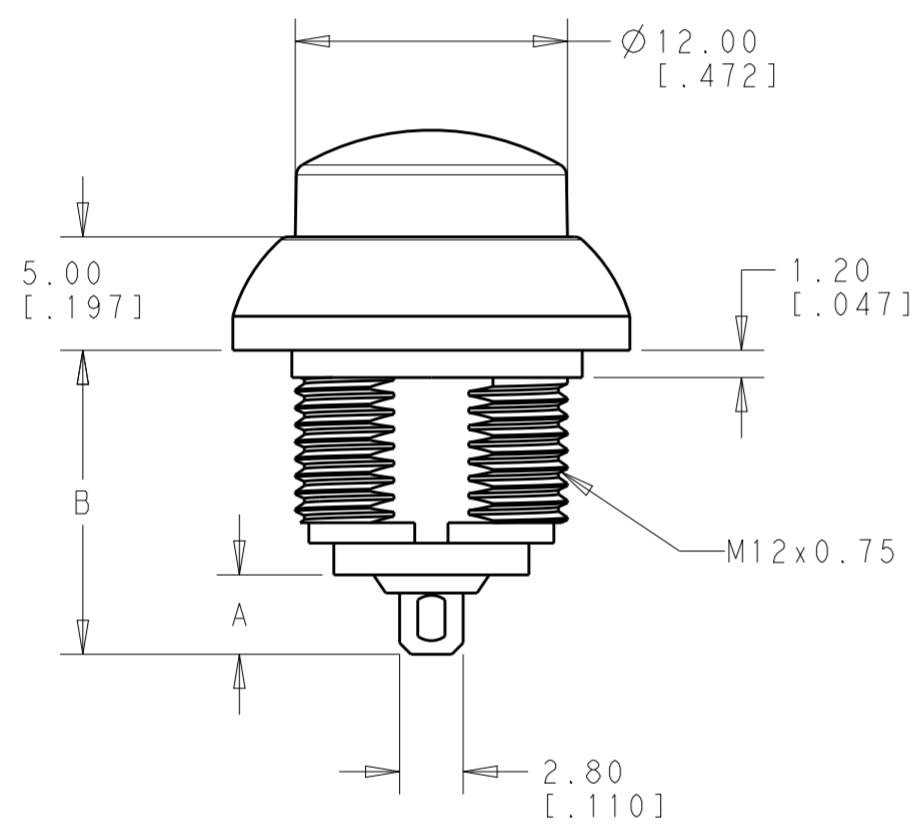
CAP COLOR: SEE TABLE



SOLDER TO WIRE  
ON-(OFF)

Model No.	POS. 1	POS. 2
PB7	ON	MOM(OFF)
CONNECTED TERMINALS	CLOSE	OPEN
SCHEMATIC		

SWITCH FUNCTION



THIS DRAWING IS A CONTROLLED DOCUMENT.		DWN RAVLS 21FEB2018	TE Connectivity	
DIMENSIONS: mm [INCHES]		CHK ALEXANDER SHARPE 21FEB2018		
TOLERANCES UNLESS OTHERWISE SPECIFIED:		APVD ALEXANDER SHARPE 21FEB2018	NAME SWITCH, PUSHBUTTON, HIGH CAP NO LED, SOLDER TERMINATION, SEALED, OFF-(ON) AND ON-(OFF)	
0 PLC ±		PRODUCT SPEC	SIZE   CAGE CODE   DRAWING NO	
1 PLC ±0.4 [.016]		APPLICATION SPEC	A200779   C-2329328	
2 PLC ±0.25 [.010]		WEIGHT	RESTRICTED TO	
3 PLC ±		CUSTOMER DRAWING	SCALE 4:1   SHEET 3 OF 4   REV 2	
4 PLC ±				
ANGLES ±5°				
FINISH				

THIS DRAWING IS UNPUBLISHED. RELEASED FOR PUBLICATION  
 © COPYRIGHT copyright.dBTe ALL RIGHTS RESERVED.

REVISIONS				
P	LTR	DESCRIPTION	DATE	APVD
-		SEE SHEET 1	-	-

POLE	THROW	DIMENSION B	DIMENSION A (TERMINAL TYPE)	CAP TYPE & COLOR	LED COLOR	TE DESCRIPTIVE PART NUMBER	PART NUMBER
SINGLE POLE	ON-(OFF) MOMENTARY	13.40 [.527]	3.40 [.134] SOLDER LUG (TO WIRE)	HIGH, SHINY BLUE	N/A	PB7B2HS7M1CAL00	2-2329328-5
				HIGH, SHINY GREEN	N/A	PB7B2HS6M1CAL00	2-2329328-4
				HIGH, SHINY YELLOW	N/A	PB7B2HS5M1CAL00	2-2329328-3
				HIGH, SHINY RED	N/A	PB7B2HS3M1CAL00	2-2329328-2
				HIGH, SHINY BLACK	N/A	PB7B2HS2M1CAL00	2-2329328-1
	OFF-(ON) MOMENTARY	12.90 [.508]	3.50 [.138] SOLDER POST (TO PCB)	HIGH, SHINY BLUE	N/A	PB6B2HS7M4CAL00	2-2329328-0
				HIGH, SHINY GREEN	N/A	PB6B2HS6M4CAL00	1-2329328-9
				HIGH, SHINY YELLOW	N/A	PB6B2HS5M4CAL00	1-2329328-8
				HIGH, SHINY RED	N/A	PB6B2HS3M4CAL00	1-2329328-7
				HIGH, SHINY BLACK	N/A	PB6B2HS2M4CAL00	1-2329328-6
		17.60 [.693]	8.20 [.323] SOLDER LUG (TO WIRE)	HIGH, SHINY BLUE	N/A	PB6B2HS7M3CAL00	1-2329328-5
				HIGH, SHINY GREEN	N/A	PB6B2HS6M3CAL00	1-2329328-4
				HIGH, SHINY YELLOW	N/A	PB6B2HS5M3CAL00	1-2329328-3
				HIGH, SHINY RED	N/A	PB6B2HS3M3CAL00	1-2329328-2
				HIGH, SHINY BLACK	N/A	PB6B2HS2M3CAL00	1-2329328-1
		14.90 [.587]	5.50 [.217] SOLDER LUG (TO WIRE)	HIGH, SHINY BLUE	N/A	PB6B2HS7M2CAL00	1-2329328-0
				HIGH, SHINY GREEN	N/A	PB6B2HS6M2CAL00	2329328-9
				HIGH, SHINY YELLOW	N/A	PB6B2HS5M2CAL00	2329328-8
				HIGH, SHINY RED	N/A	PB6B2HS3M2CAL00	2329328-7
				HIGH, SHINY BLACK	N/A	PB6B2HS2M2CAL00	2329328-6
12.90 [.508]	3.50 [.138] SOLDER LUG (TO WIRE)	HIGH, SHINY BLUE	N/A	PB6B2HS7M1CAL00	2329328-5		
		HIGH, SHINY GREEN	N/A	PB6B2HS6M1CAL00	2329328-4		
		HIGH, SHINY YELLOW	N/A	PB6B2HS5M1CAL00	2329328-3		
		HIGH, SHINY RED	N/A	PB6B2HS3M1CAL00	2329328-2		
		HIGH, SHINY BLACK	N/A	PB6B2HS2M1CAL00	2329328-1		

THIS DRAWING IS A CONTROLLED DOCUMENT.

DWN: RAVLS 21FEB2018  
 CHK: ALEXANDER SHARPE 21FEB2018  
 APVD: ALEXANDER SHARPE 21FEB2018

**STE** TE Connectivity

NAME: SWITCH, PUSHBUTTON, HIGH CAP NO LED, SOLDER TERMINATION, SEALED, OFF-(ON) AND ON-(OFF)

SIZE: A2 CAGE CODE: 00779 DRAWING NO: C-2329328 RESTRICTED TO: 4

MATERIAL: - DIMENSIONS: mm [INCHES] TOLERANCES UNLESS OTHERWISE SPECIFIED: 0 PLC ± .4 [.016] 1 PLC ± .4 [.016] 2 PLC ± .25 [.010] 3 PLC ± .25 [.010] 4 PLC ± .25 [.010] ANGLES ± 5° FINISH: -

PRODUCT SPEC: - APPLICATION SPEC: - WEIGHT: - CUSTOMER DRAWING SCALE: 4:1 SHEET: 4 OF 4 REV: 2