



Contact characteristics

Number of poles	Nr.	4
Rated insulation voltage U _i IEC/EN	V	1000
Rated impulse withstand voltage U _{imp}	kV	8
Operational frequency	min	Hz 25
	max	Hz 400
IEC Conventional free air thermal current I _{th} ≤ 40°C	A	600
Operational current I _e	AC-1 (≤40°C)	A 600
	AC-1 (≤55°C)	A 500
	AC-1 (≤70°C)	A 435
	AC-3 (≤440V ≤55°C)	A 400
	AC-4 (400V)	A 190
Rated operational power AC-3 (T≤55°C)	230V	kW 110
	400V	kW 200
	415V	kW 200
	440V	kW 200
	500V	kW 250
	690V	kW 315
	1000V	kW 200
Rated operational current AC-3 (T≤55°C)	230V	A 400
	400V	A 400
	415V	A 400
	440V	A 400
	500V	A 350
	690V	A 350
	1000V	A 155
Rated operational power AC-1 (T≤40°C)	230V	kW 227
	400V	kW 395
	500V	kW 434
	690V	kW 681
IEC max current I _e in DC1 with L/R ≤ 1ms with 1 poles in series	75V	A 400
	110V	A 250
IEC max current I _e in DC1 with L/R ≤ 1ms with 2 poles in series	75V	A 400
	110V	A 400
	220V	A 350
IEC max current I _e in DC1 with L/R ≤ 1ms with 3 poles in series	75V	A 400
	110V	A 400

	220V	A	400
	330V	A	350
IEC max current I _e in DC1 with L/R ≤ 1ms with 4 poles in series			
	75V	A	400
	110V	A	400
	220V	A	400
IEC max current I _e in DC3-DC5 with L/R ≤ 15ms with 1 poles in series			
	75V	A	350
	110V	A	200
IEC max current I _e in DC3-DC5 with L/R ≤ 15ms with 2 poles in series			
	75V	A	350
	110V	A	350
	220V	A	280
IEC max current I _e in DC3-DC5 with L/R ≤ 15ms with 3 poles in series			
	75V	A	350
	110V	A	350
	220V	A	350
	330V	A	280
IEC max current I _e in DC3-DC5 with L/R ≤ 15ms with 4 poles in series			
	75V	A	350
	110V	A	350
	220V	A	350
	330V	A	350
	460V	A	280
Short-time allowable current for 10s (IEC/EN60947-1)		A	3200
Protection fuse			
	gG (IEC)	A	800
	aM (IEC)	A	500
Making capacity (RMS value)		A	4000
Breaking capacity at voltage			
	440V	A	3200
	500V	A	2752
	690V	A	2504
Resistance per pole (average value)		mΩ	0.12
Power dissipation per pole (average value)			
	I _{th}	W	43.2
	AC-3	W	19
Tightening torque for terminals			
	min	Nm	35
	max	Nm	35
	min	I _{bin}	310
	max	I _{bin}	310
Tightening torque for coil terminal			
	min	Nm	0.8
	max	Nm	1
Power terminal protection according to IEC/EN 60529			IP00
Mechanical features			
Operating position			
	normal		Vertical plan
	allowable		±30°
Fixing			Screw
Operations			
Mechanical life			cycles 5000000

Electrical life				cycles	600000
Safety related data					
Performance level B10d according to EN/ISO 13489-1					
		rated load		cycles	600000
		mechanical load		cycles	5000000
EMC compatibility					yes
AC coil operating					
Rated AC voltage at 50/60Hz, 60Hz					
		min	V		100
		max	V		250
AC operating voltage					
	of 50/60Hz coil powered at 50Hz				
	pick-up	min	%Us		80 Us min
		max	%Us		110 Us max
	drop-out	max	%Us		≤70 Us min
	of 50/60Hz coil powered at 60Hz				
	pick-up	min	%Us		80 Us min
		max	%Us		110 Us max
	drop-out	max	%Us		≤70 Us min
AC average coil consumption at 20°C					
	of 50/60Hz coil powered at 50Hz				
		in-rush	VA		160...320
		holding	VA		3.5...8.0
	of 50/60Hz coil powered at 60Hz				
		in-rush	VA		160...320
		holding	VA		3.5...8.0
	of 60Hz coil powered at 60Hz				
		in-rush	VA		160...320
		holding	VA		3.5...8.0
Dissipation at holding ≤20°C 50Hz				W	3.5...8.0
DC coil operating					
DC rated control voltage					
		min	V		100
		max	V		250
max			V		250
DC operating voltage					
	pick-up	min	%Us		85 Us min
		max	%Us		110 Us max
	drop-out	max	%Us		≤70 Us min
Average coil consumption ≤20°C					
		in-rush	W		160...230
		holding	W		3.5...8.0
Max cycles frequency					
Mechanical operation				cycles/h	1000
Operating times					
Average time for Us control					
	in AC				

Closing NO	min	ms	80
	max	ms	120
Opening NO	min	ms	30
	max	ms	75

UL technical data

Rated operational voltage AC (UL) V 600

Yielded mechanical performance

for three-phase AC motor

200/208V	HP	125
220/240V	HP	150
460/480V	HP	350
575/600V	HP	400

General USE

Contactor

AC current A 600

Short-circuit protection fuse, 600V

High fault

Short circuit current	kA	100
Fuse rating	A	600
Fuse class		J

Standard fault

Short circuit current	kA	18
Fuse rating	A	600
Fuse class		RK5

Ambient conditions

Temperature

Operating temperature

min	°C	-40
max	°C	70

Storage temperature

min	°C	-50
max	°C	80

Max altitude

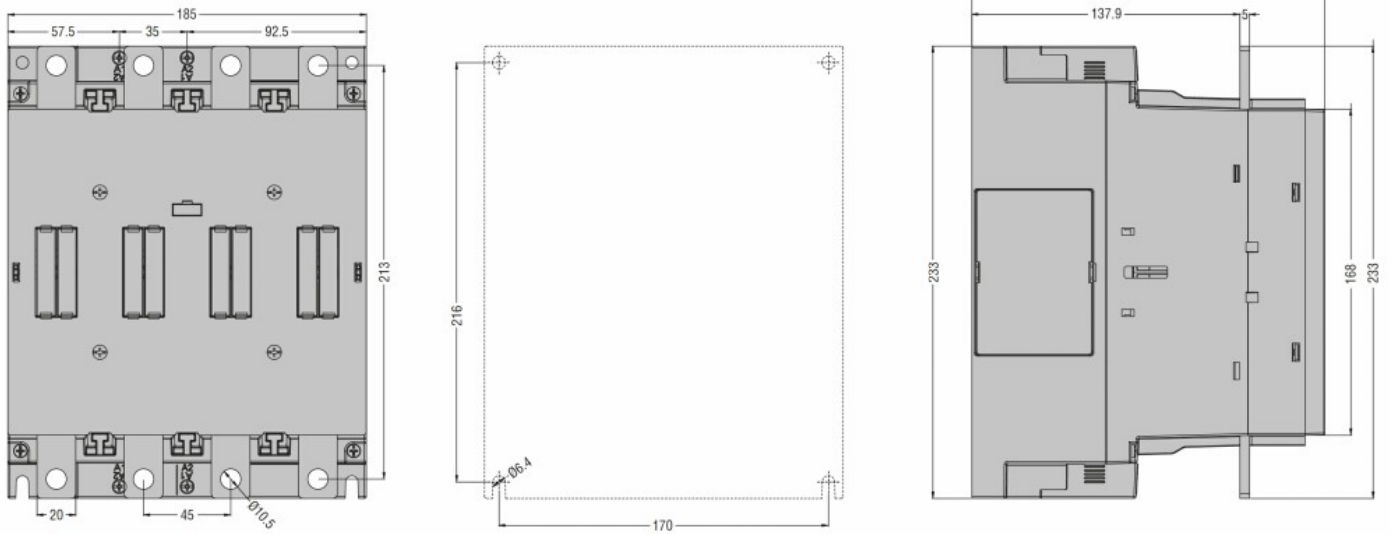
m 3000

Resistance & Protection

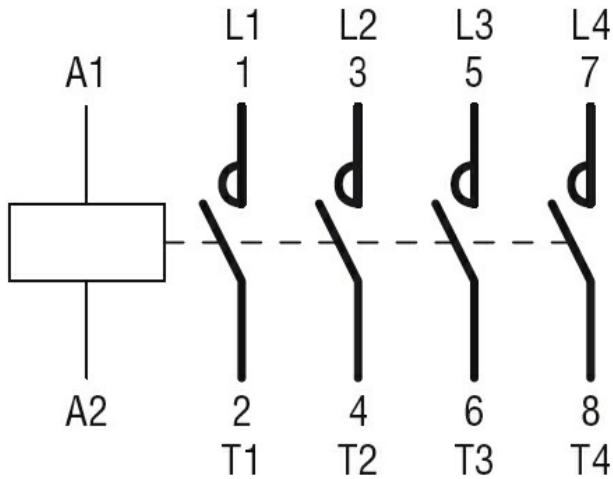
Pollution degree

3

Dimensions



Wiring diagrams



Certifications and compliance

Compliance

CSA C22.2 n° 60947-1

CSA C22.2 n° 60947-4-1

IEC/EN 60335-2-89

IEC/EN/BS 60947-1

IEC/EN/BS 60947-4-1

UL 60947-1

UL 60947-4-1

Certificates

CSA C22.2 n. 60335-2-40:22 LZGH A2L

CSA C22.2 No. 60335-2-89:21 LZGH A2L

cULus

UL 60335-2-40 LZGH A2L

UL 60335-2-89 LZGH A2L

ETIM classification

ETIM 8.0

EC000066 -
Power contactor,
AC switching