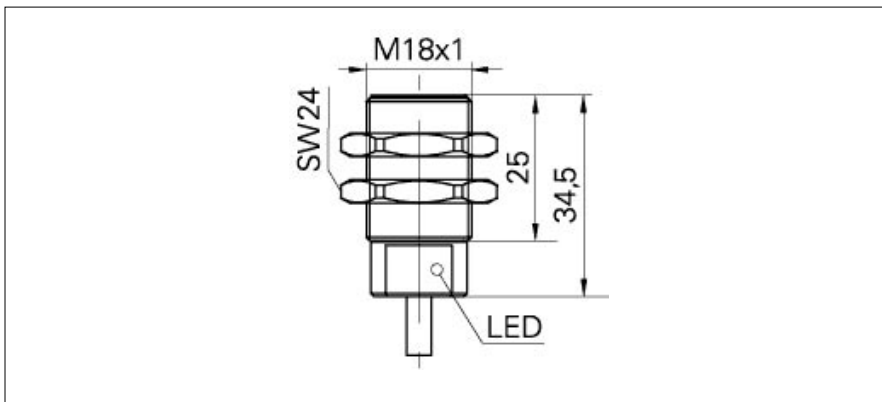


Inductive proximity switches

IFRM 18P17A5/L

Dimension drawing



General data

Mounting type	quasi shielded
Nominal sensing distance S_n	8 mm
Hysteresis	3 ... 20 % of S_r
Output indicator	LED red

Electrical data

Switching frequency	< 500 Hz
Voltage supply range +Vs	10 ... 30 VDC
Current consumption max.	12 mA
Output function	NO
Output circuit	PNP
Voltage drop Vd	< 2 VDC
Output current	< 200 mA
Short circuit protection	yes
Reverse polarity protection	yes

Mechanical data

Type	cylindrical threaded
Material (sensing face)	PBT
Housing material	brass nickel plated / PC
Dimension	18 mm
Housing length	34,5 mm
Connection types	cable

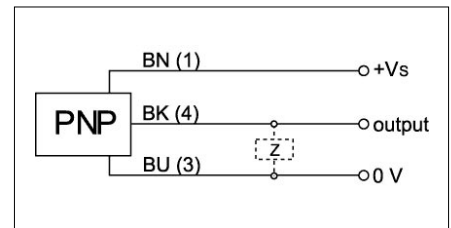
Ambient conditions

Operating temperature	-25 ... +75 °C
Protection class	IP 67

Photo



Circuit diagram



- Not for flush mounting in mild steel