


**SACB-4/ 4-L-C GG SCO**

Order No.: 1516726



Sensor/actuator box header, Connection method: M12-SPEEDCON-socket, Number of slots: 4, Number of positions: 4, Slot assignment: Single, Status indication: Yes, pnp; Master cable connection: Pluggable screw connection, Shielding: No



Commercial data	
EAN	 4 017918 967451
Pack	1
Customs tariff	85444190
Country of Origin	PL
Catalog page information	Page 183 (PC-2011)

## Product notes

WEEE/RoHS-compliant since:  
21/02/2006



Please note that the data given here has been taken from the online catalog. For comprehensive information and data, please refer to the user documentation at <http://www.download.phoenixcontact.com>. The General Terms and Conditions of Use apply to Internet downloads.

**Technical data****General data**

Rated voltage	24 V DC
Max. operating voltage $U_{max}$	30 V DC
Current carrying capacity per I/O signal	2 A
Current carrying capacity per slot	4 A

Total rated current	10 A
	2x 8 A (For electrical isolation)
Number of positions	4
Number of slots	4
Degree of protection	IP65/IP67/IP69K
Inflammability class according to UL 94	V0
Ambient temperature (operation)	-30 °C ... 80 °C
Sensor/actuator connection system	M12-SPEEDCON-socket
<b>Local diagnostics function</b>	
Local diagnostics	Supply voltage per module Green LED
	Status display I/O Yellow LED
<b>Master cable data</b>	
Connection method	Pluggable screw connection
Tightening torque slot sensor/actuator cable	0.4 Nm
Tightening torque screw plug	0.4 Nm
<b>Insulation material</b>	
Housing material	PBT
Material of the moulding mass	PUR
Contact material	Cu alloy
Contact surface material	Gold-plated
Contact carrier material	PA
Material of contact, master cable side	CU alloy
Material of contact surface, master cable side	Gold-plated
Material of the contact carrier on the master cable side	PA 66 V0
Material of threaded sleeve	Zinc die-cast
Material of threaded sleeve surface	Nickel-plated
Material, O-ring	NBR
<b>Pin assignment</b>	
Slot/position = Wire color or connection	1 / 4 (A) = 1 / 4

	2 / 4 (A) = 2 / 4
	3 / 4 (A) = 3 / 4
	4 / 4 (A) = 4 / 4
	1-4 / 1 (+ 24 V) = U <sub>N</sub>
	1-4 / 3 (0 V) = 0 V
	1-4 / 5 (PE) = PE

## Certificates



Certification

CUL, UL

## Accessories

Item	Designation	Description
------	-------------	-------------

### Marking

0804963	SS-ZB 17,5 WH	Contact marker Zack strip, unprinted: 5-section, for snapping into equipment and components with special marker carrier, can be labeled with M-PEN, CMS system or label BMKT 17.5 x 8, lettering field: 17.5 x 8 mm, color: white
---------	---------------	---

### Protection and sealing elements

1553129	PROT-MS SCO	M12 screw plug with SPEEDCON quick locking for unoccupied M12 sockets of the sensor/actuator cables, boxes and flush-type connectors
---------	-------------	--

### Tools

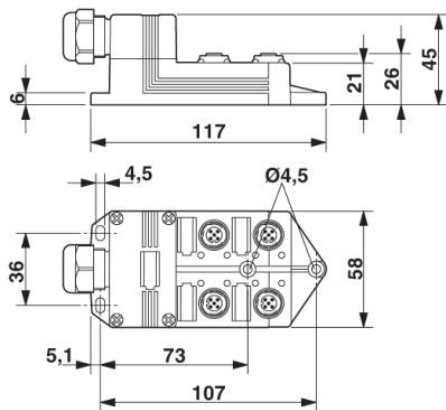
1208432	SAC BIT M12-D15	Nut for assembling sensor/actuator cables with M12 connector and for M12 connectors with QUICKON fast connection technology, for 4 mm hexagonal drive
1208445	SACC BIT M12-D20	Nut for assembling SACC M12 connectors for free assembly, excluding M12 connectors with QUICKON fast connection technology, for 4 mm hexagonal drive
1206450	SZK PZ1 VDE	Screwdriver, PZ crosshead, VDE insulated, size: PZ 1 x 80 mm, 2-component grip, with non-slip grip
1208429	TSD 04 SAC	Torque screwdriver, with preset torque of 0.4 Nm and 4 mm hexagonal drive for M12 connectors

## Additional products

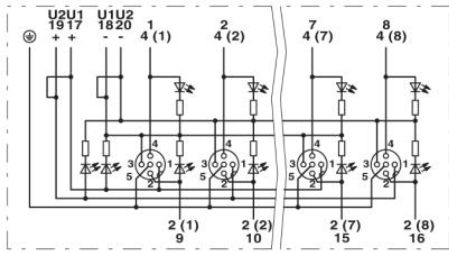
Item	Designation	Description
<b>Connector hood</b>		
1516658	SACB-C-H180 4- 4 SCO PUR/	Connector hood, Connection method: M12-SPEEDCON-socket, Number of slots: 4, Slot assignment: Single, Status indication: No; Master cable connection: Pluggable screw connection 180°, PUR/ PVC, Cable length: 0.5 m ... 50 m, Shielding: No
1516713	SACB-C-H180 8/16 SCO	Connector hood with an integrated connector, for M12 sensor/ actuator boxes with metal thread and pluggable screw connection, for 4, 6 or 8 slots
1516353	SACB-C-H180-4/ 4- 5,0PUR SCO	Connector hood, Connection method: M12-SPEEDCON-socket, Number of slots: 4, Slot assignment: Single, Status indication: No; Master cable connection: Pluggable screw connection 180°, PUR/ PVC, Cable length: 5 m, Shielding: No
1516548	SACB-C-H180-4/ 4-10,0PUR SCO	Connector hood, Connection method: M12-SPEEDCON-socket, Number of slots: 4, Slot assignment: Single, Status indication: No; Master cable connection: Pluggable screw connection 180°, PUR/ PVC, Cable length: 10 m, Shielding: No

## Drawings

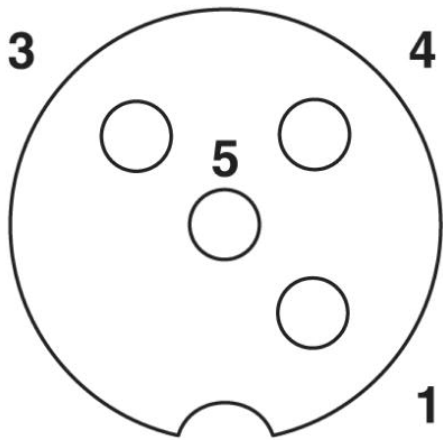
Dimensioned drawing



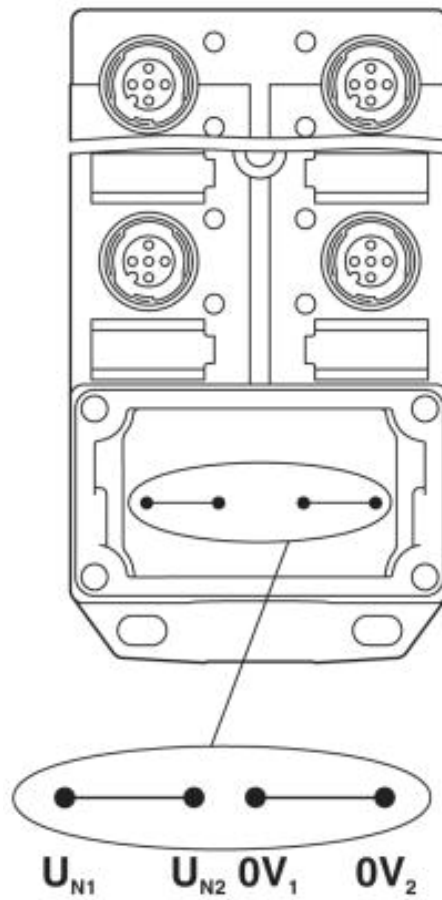
Circuit diagram



Schematic diagram



M12 slot, socket, 4-pos.



Potential  $U_{N1}$  and  $U_{N2}$  bridged

---

Electrically isolated

