

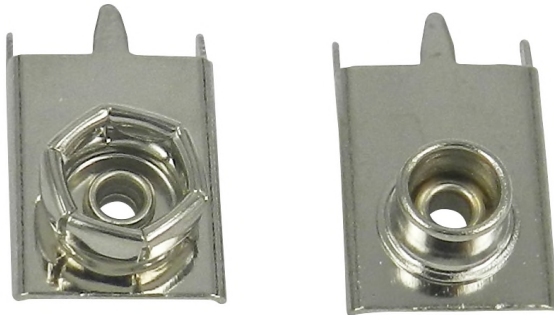


ENGLISH

Datasheet

RS Article:1854727

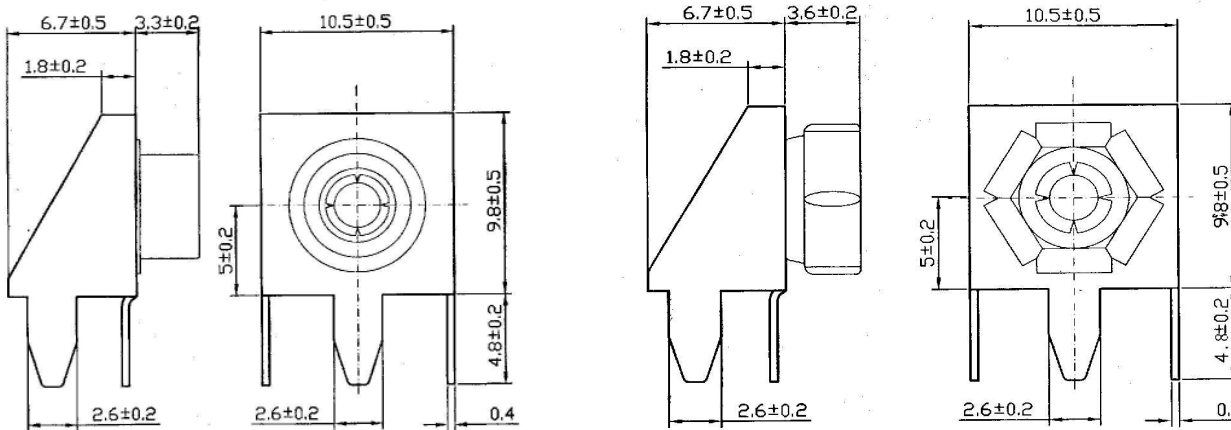
# RS Pro Battery Holder



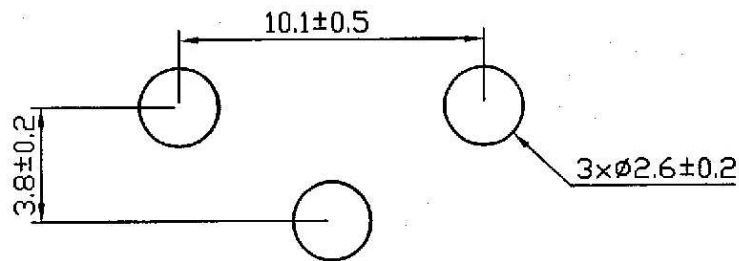
## 1. Preface:

The purpose of this product specification is to Dimension and drawing

# PP3 9V PCB Mount (Negative and Positive)



CATHODE



ANODE

PCB/MOUNTING LAYOUT

## SPECIFICATION

- (1) ITEM NO: 1854727
- (2) WITH 6 PRONG SNAP TERMINAL
- (3) MATERIAL: STEEL PLATED TIN

Measure: mm