

THIS DRAWING IS UNPUBLISHED. RELEASED FOR PUBLICATION
 © COPYRIGHT BY TYCO ELECTRONICS CORPORATION. ALL RIGHTS RESERVED.

LOC	DIST	REVISIONS			DATE	DWN	APVD
J		P	LTR	DESCRIPTION			
		F	REVISED	FJB0-0261-03	09MAY03	T.T	H.M

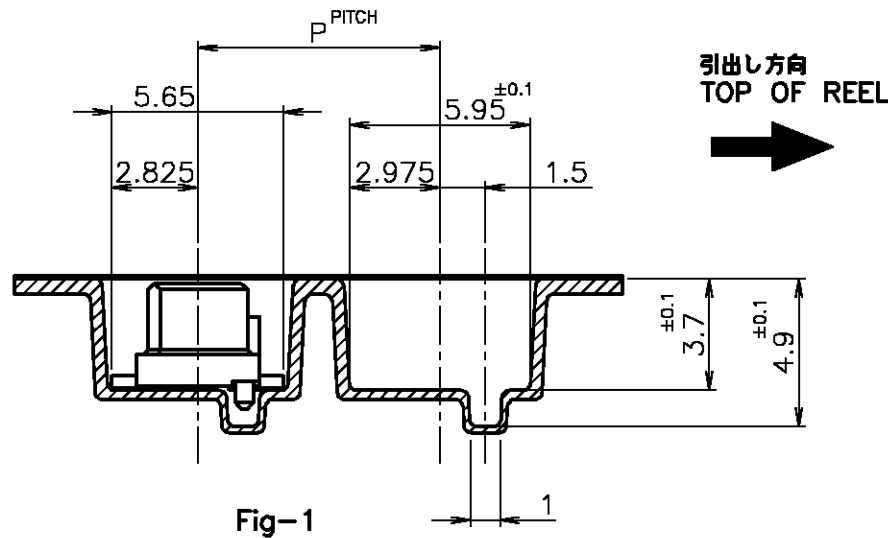
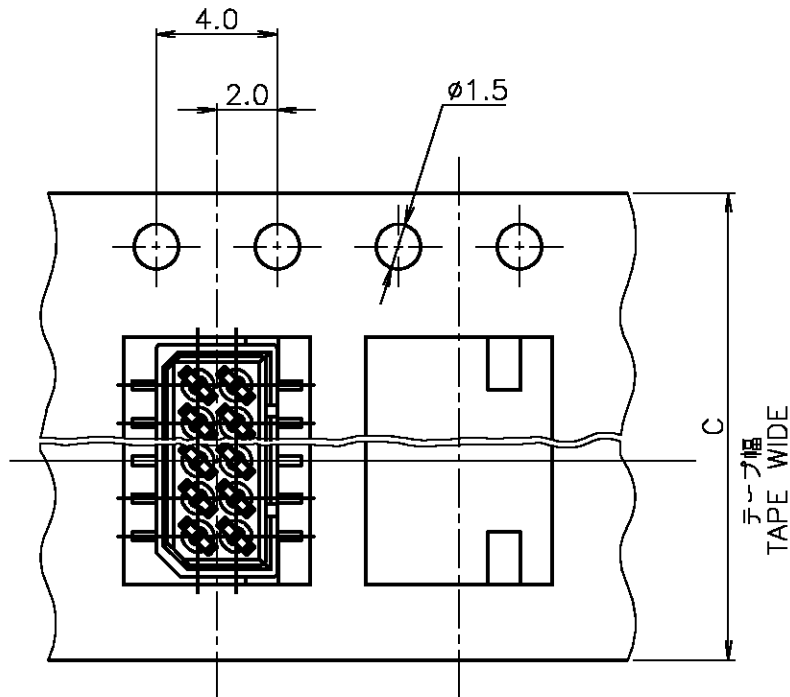
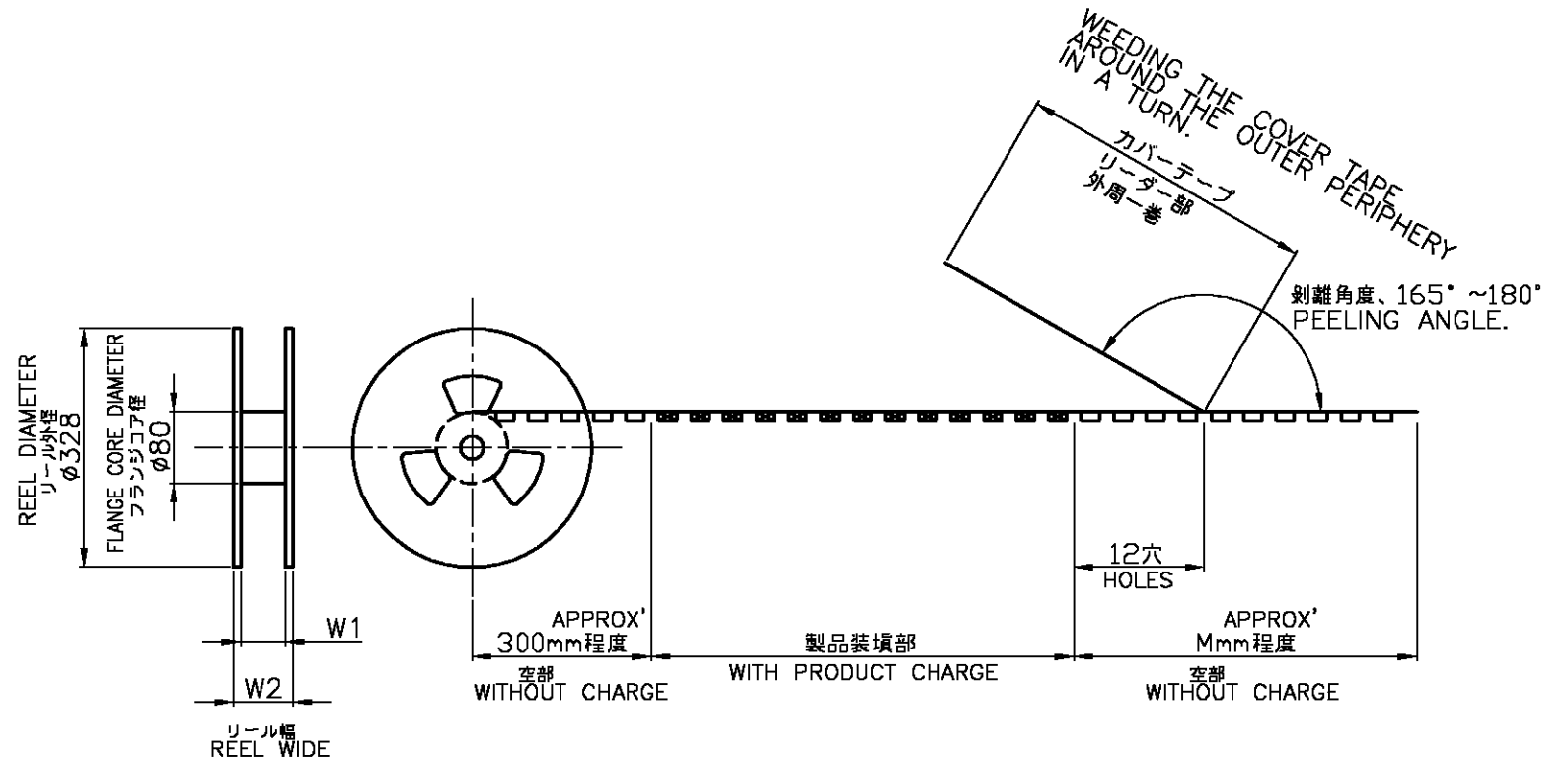


Fig-1



注記:
 △ 包装規格 : 107-5123-1
 NOTES:
 △ PACKING SPEC : 107-5123-1

↑	↑	↑	↑	↑	↑	20	2-	↑	-4	5-	↑	-0	5-	↑	-0
						18	2-		-3	4-		-8	4-		-8
29	26	600	12	24	1000	16			-9	4-		-6	4-		-6
↑	↑	↑	↑	↑	↑	14	2-		-2	4-		-4	4-		-4
						12			-8	4-		-2	4-		-2
						10	1-720999-1			4-		-0	4-		-0
21	18	300	8	16	1500	6	1-912050-3			3-174639-6			3-175638-6		
W ₂	W ₁	M	P	C	数量 QTY/REEL	巻 Pos.	エンボステープ 型番 EMBOSS TAPE P/N			コネクタ型番 コネクタ型番 CONNECTOR P/N			リール幅 コネクタ型番 TAPING P/N		

THIS DRAWING IS A CONTROLLED DOCUMENT.		DWN J.TANIGAWA 28MAY88	tyco Tyco Electronics AMP K.K. Kawasaki, Japan	
DIMENSIONS: MM		CHK S.KIKUCHI 30MAY88	NAME ON TAPING (EMBOSS)1.25 F-P CONNECTOR (B-TO-B) DOUBLE ROW REC HDR ASS'Y (V) SMT TYPE WITH BOSS	
TOLERANCES UNLESS OTHERWISE SPECIFIED: 0-PLC ± 1-PLC ± 2-PLC ± 3-PLC ± 4-PLC ± ANGLES ±		APVD N.ONOUE 30MAY88	PRODUCT SPEC	
MATERIAL		FINISH	WEIGHT	RESTRICTED TO
			SIZE A3	CAGE CODE 00779
			DRAWING NO C-175638	SCALE NON
			CUSTOMER DRAWING	SHEET 1 OF 1
				REV F