



SITOR fuse link, with female thread on both sides, In: 250 A, aR, Un AC: 800 V, Un DC: 440 V, front indicator

Model			
product brand name	SENTRON		
product designation	SITOR fuse link		
design of the product	With female thread on both sides		
design of an identification indicator	front indicator		
design of the switching contact	with female thread at both ends for SITOR 6QG12 thyristor sets		
design of the fuse link	Fuses for special applications		
General technical data			
size of fuse system according to EN 60269-1	others		
operating class of the fuse link	aR		
varying load factor (WL)	0.85		
type of voltage of the operating voltage	AC/DC		
operating voltage at AC according to UL rated value	800 V		
Supply voltage			
supply voltage			
• at AC rated value	800 V		
• at DC	440 V		
Switching capacity			
switching capacity current			
• according to IEC 60947-2 rated value	100 kA		
Dissipation			
power loss [W]	105 W		
power loss [W]			
• for rated value of the current at AC in hot operating state per pole	105 W		
• maximum	105 W		
Product details			
product description	with female thread on both sides, silver-plated		
accessories included	no		
Mechanical Design			
mounting position	Any, preferably vertical		
net weight	691 g		
Environmental conditions			
ambient temperature during operation			
• minimum	-20 °C		
• maximum	50 °C		
environmental category	-20 to +50 at 95% relative humidity		
Approvals Certificates			
General Product Approval	Declaration of Conformity	Test Certificates	other

other

Environment

[Miscellaneous](#)[Miscellaneous](#)[Environmental Confirmations](#)**Further information**

Siemens has decided to exit the Russian market (see here).

<https://press.siemens.com/global/en/pressrelease/siemens-wind-down-russian-business>

Siemens is working on the renewal of the current EAC certificates.

Please contact your local Siemens office on the status of validity of the EAC certification if you intend to import or offer to supply these products to an EAC relevant market (other than the sanctioned EAEU member states Russia or Belarus).

Information on the packaging

<https://support.industry.siemens.com/cs/ww/en/view/109813875>

Information- and Downloadcenter (Catalogs, Brochures,...)

<http://www.siemens.com/lowvoltage/catalogs>

Industry Mall (Online ordering system)

<https://mall.industry.siemens.com/mall/en/en/Catalog/product?mlfb=3NE4327-6B>

Service&Support (Manuals, Certificates, Characteristics, FAQs,...)

<https://support.industry.siemens.com/cs/ww/en/ps/3NE4327-6B>

Image database (product images, 2D dimension drawings, 3D models, device circuit diagrams, ...)

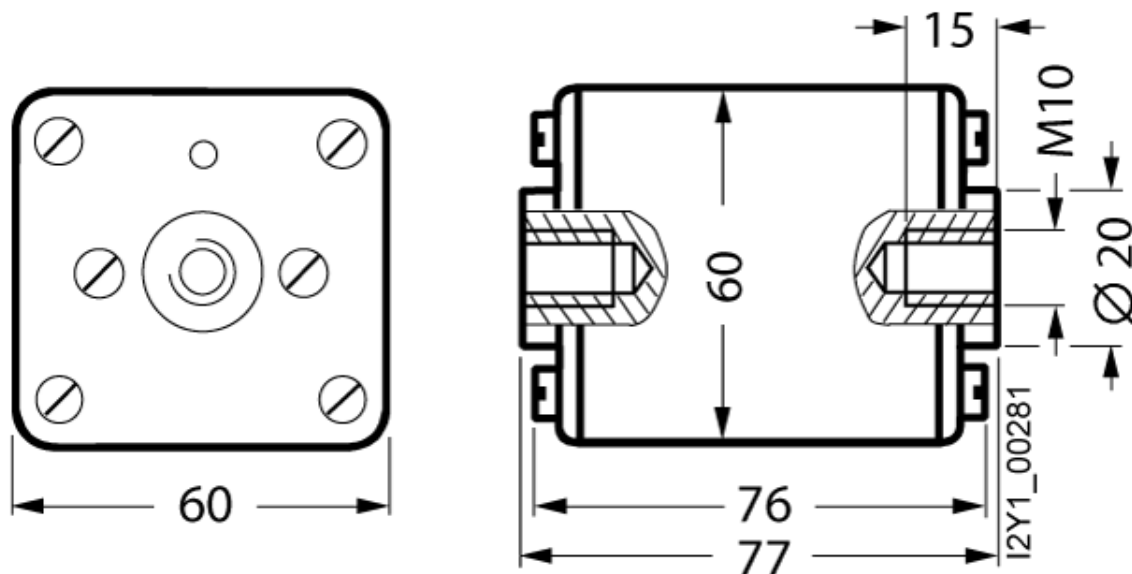
http://www.automation.siemens.com/bilddb/cax_en.aspx?mlfb=3NE4327-6B

CAX-Online-Generator

<http://www.siemens.com/cax>

Tender specifications

<http://www.siemens.com/specifications>



last modified:

8/12/2023

