

# FLIR MPX™

## MPX Bullet Cameras



C233BC / C233BCP  
1.3MP HD Fixed WDR Bullet MPX Camera



C233BD / C233BDP  
2.1MP HD Fixed WDR Bullet MPX Camera

The FLIR 1.3MP/2.1MP HD Fixed WDR Bullet MPX Cameras use the latest HD-CVI technology and True WDR to deliver excellent 720p picture quality over coax cabling in any lighting condition. Ideal for retrofit applications, the cameras are compatible with FLIR MPX DVRs offering an upgrade to HD resolution without the hassle of running new cables. Dual video output offers simultaneous HD and 960H video streams.

### HD PICTURE QUALITY

*Outstanding image detail, both day and night*

- C233BC - 1.3MP HD, 720p @ 25/30 FPS, 1/3" CMOS, 3.6mm lens, 70ft / 21m IR
- C233BD - 2.1MP HD, 1080p @ 25/30 FPS, 1/2.8" CMOS, 3.6mm lens, 70ft / 21m IR

### EASY INSTALLATION

*Upgrade to HD without the expense of re-cabling*

- Dual BNC output – MPX 720p or 1080p / 960 Analog
- Cable pass-through bracket design

### SUPERIOR PERFORMANCE

*Virtually no latency, extended cable runs up to 2296ft / 700m*

- IP66 weatherproof rated housings
- -22°F (-30°C) Cold Climate Capable

# Specifications

Camera	C233BC / C233BCP	C233BD / C233BDP
Imaging Device	1/3" Exmor™	1/2.8" Exmor™
Effective Pixels	1305 (H) x 1049 (V)	1984 (H) x 1105 (V)
Image Type	CMOS	
Image Readout	Progressive Scan	
Day/Night	Y	
Mechanical IR Cut Filter	Y	
Min. Illumination	0.1 Lux @ F1.2 (Color)	
S/N Ratio	≥50dB (AGC OFF)	50dB (AGC OFF)
Horizontal Field of View	78° (MPX / 960H)	88° (MPX) / 82° (960H)
IR Illumination Range	70ft / 21m	
IR Wavelength	840~850nm	
IR On/Off Control	N	
Video Output	BNC (720p MPX, Digital) BNC (960H, Analog)	BNC (1080p MPX, Digital) BNC (960H, Analog)
Electronic Shutter Range	1/60 (1/50) ~ 1/60,000	1/30 (1/25) ~ 1/60,000
<b>Optical</b>		
Lens Type	Board Type	
Focal Length	3.6mm	
F-Number	2.0	
Zoom	N	
Iris Control Type / Adjustment	Electronic / Auto or Manual	
<b>Video</b>		
Frame rates	25/30fps	15/25/30 FPS*
Backlight Compensation	BLC / HLC	
Wide Dynamic Range	True WDR	
White Balance	Auto / ATW / Preset / Manual	
Gain Control	AGC - 0-20 Selectable	
Noise Reduction	2D/3D - Low/Mid/High Selectable	
Window Blanking	Y - 15 Zone Selectable	
Menu Languages	English, German, French, Spanish, Russian, Polish, Italian, Portuguese	
<b>Mechanical</b>		
Construction	Aluminum Alloy	
Product Dimensions (W x H x D)	2.8' x 2.8' x 8.0' / 72 x 72 x 204mm	
Product Weight	0.9lbs / 0.4kg	
<b>Electrical</b>		
Power Input	12V DC	
Power Consumption	5W	
Current Consumption	380mA	
Built-in Heater	N	
Alarm I/O	N	
<b>Environment</b>		
Operating Temperature	-22°F - 122°F / -30°C - 60°C	
Operating Humidity	≤85% RH	
Ingress Protection	IP66	
Vandal Resistance	N	
<b>Certifications</b>		
Certifications	FCC, CE, ROHS	

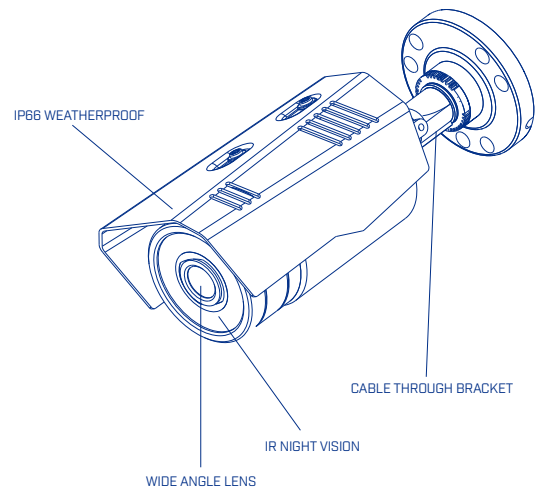
\* 15FPS with WDR on

## Ordering Information

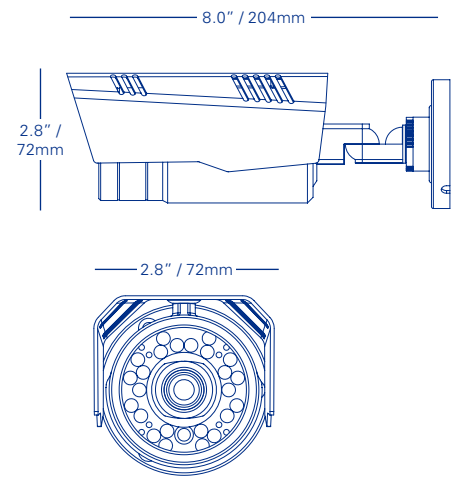
C233BC: 8-41430-01056-2  
 C233BD: 8-41430-01060-9  
 C233BCP: 8-41430-01114-9  
 C233BDP: 8-41430-01118-7

## Package Dimensions

C233BC/C233BCP: 8.6 x 4.4 x 4.7" / 218 x 111 x 118mm  
 C233BD/C233BDP: 8.6 x 4.4 x 4.7" / 218 x 111 x 118mm



## Dimensions



## MARKHAM, ONTARIO

FLIR Systems, Inc.  
 250 Royal Crest Court  
 Markham, ON L3R 3S1  
 Canada  
 PH: +1 866.344.4674

## PORTLAND

Corporate Headquarters  
 FLIR Systems, Inc.  
 27700 SW Parkway Ave.  
 Wilsonville, OR 97070  
 USA  
 PH: +1 866.477.3687

www.flir.com/security  
 NASDAQ: FLIR

Equipment described herein may require US Government authorization for export purposes. Diversion contrary to US law is prohibited. Imagery for illustration purposes only. Specifications are subject to change without notice. ©2015 FLIR Systems, Inc. All rights reserved. [Created 05/22/15]