

TECHNICAL CHARACTERISTICS :

- Female screw locks: brass, tin lead
- Compensating washer: steel, tin lead
- Nuts: steel, tin lead
- Corrosion resistance: 24 hours.

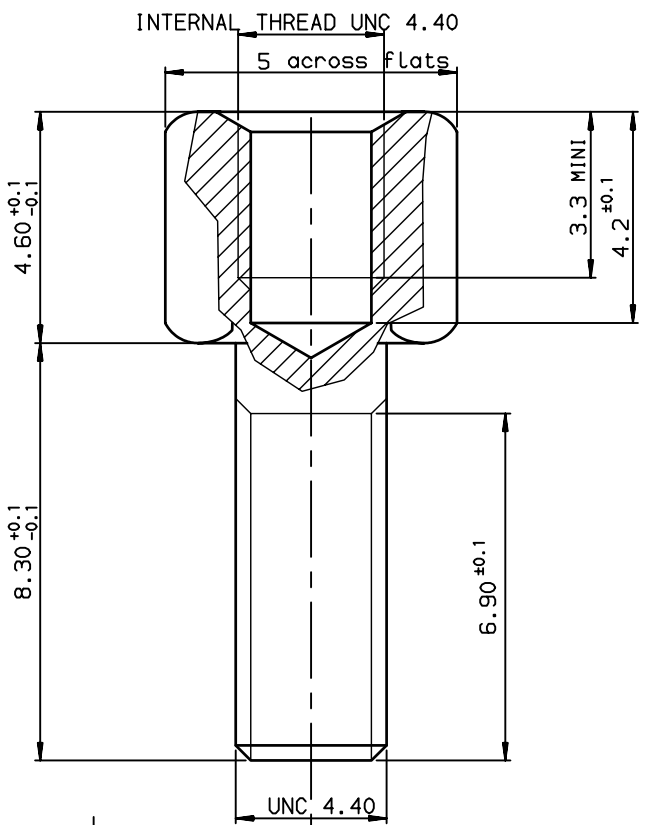
NOTE: RoHS INFORMATIONS

- The "LF" products meet European union Directives and other country regulations as described in GS-22-008.
- Plating Sn (pure bright) over copper
- Packaging spec: see GS-14-920

Core range	
PART NUMBER	863001060TLF PACKAGING: per 100 pieces

European Views

www.fciconnect.com		surface ISO 1302 <input checked="" type="checkbox"/>	tolerance std ISO 406 ISO 1101	projection 	mm
TOLERANCES UNLESS OTHERWISE SPECIFIED					
Dr	JOUBERT	1996/01/28	ANGULAR	0.X	$\pm 0.1$
Eng	JOUBERT	1996/01/28	LINEAR	0.XX	$\pm 0.1$
Chr	LEGARE	1996/01/28	0.XX $\pm 2'$	0.XXX	$\pm 0.1$
Appr	LEGARE	1996/01/28	Product family	D-SUB	Spec ref -
rev	ecn no	dr	date	size A3 Scale 10	
C	-	SBA	2003/04/15	ECN LS09-0063	
D	LS05-0026	LMA	2005/02/09	Dwg no C01-8655-0697-1	
E	LS06-0097	LGO	2006/07/28	Rev. H	
F	LS08-0192	MPE	2008/09/12	catalog no -	
G	LS09-0006	PCR	2009/01/08	CUSTOMER sheet 1 of 2	
H	LS09-0063	PCR	2009/03/25		
-	-	-	-		

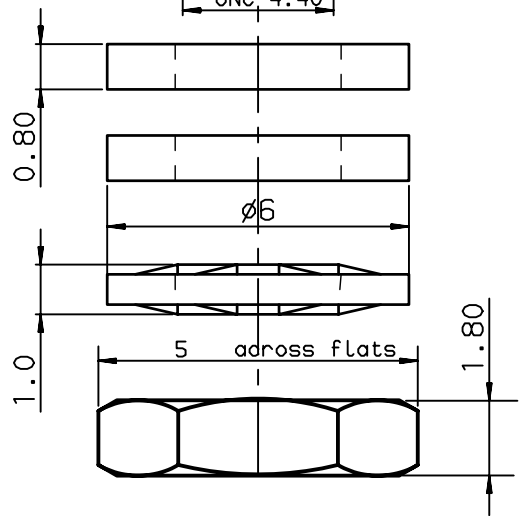


TECHNICAL CHARACTERISTICS :

Female screw locks: brass, tin lead  
 Compensating washer: steel , tin lead  
 Nuts : steel , tin lead  
 Corrosion resistance : 24 hours .

NOTE:RoHS INFORMATIONS

- The "LF" products meet European union Directives and other country regulations as described in 65-22-008.
- Plating Sn (pure bright ) over copper
- Packaging spec: see 65-14-920



Core range

LEAD FREE NUMBER	86552029TLF	PACKAGING:per 1000 pieces
------------------	-------------	---------------------------

www.fciconnect.com		surface ISO 1302 ✓	tolerance std ISO 406 ISO 1101	projection mm
TOLERANCES UNLESS OTHERWISE SPECIFIED				
Dr	JOUBERT	1996/01/26	0.X	±0.1
Eng	JOUBERT	1996/01/26	0.XX	±0.1
Chr	LEGARE	1996/01/26	0.XXX	±0.1
Appr	LEGARE	1996/01/26	size A3 Scale 10	
Product family			D-SUB Spec ref -	
title		FEMALE SCREW LOCK		
D SUB ACCESSORIES		C01-8655-0697-2		
catalog no		CUSTOMER sheet 2 of 2		

rev	ecn no	dr	date
C	-	SBA	2003/04/15
D	LS05-0026	LMA	2005/02/09
E	LS06-0097	LGO	2006/07/28
F	LS09-0006	PCR	2009/01/08
G	LS09-0063	PCR	2009/03/25
-	-	-	-
-	-	-	-

Copyright FCI, FCJ