

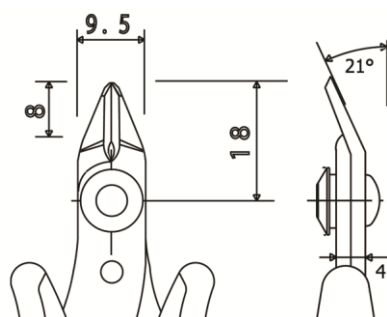


ENGLISH

Datasheet

Cable Cutters

Flush Type Cable Cutter, 132mm Overall Length, 0.81mm cutting capacity



[RS Stock No. 245-0564](#)

Tool for a flush cut. The reduced head's dimension and its pointed shape, allow access to difficult to reach areas. Steel thickness 2.0mm. Cutting force (kg) 3.0 / Copper wire (\varnothing mm) 0.81 (awg) 20 / Tool length (mm) 132. ESD safe handles.