



SPECIFICATIONS

FLUID	: Air or neutral gas, filtered, lubricated or not
PRESSURE	: Can be used with vacuum – 0.950 bar max. – 0.950 to +12 bar +3 to +12 bar (with internal spring differential)
PILOT PRESSURE	: See diagram below
AMBIENT TEMPERATURE	: – 10°C, +60°C
FLOW (Qv at 6.3 bar)	: 4200 l/min (ANR)
FLOW COEFFICIENTS	
- conforming to ISO 6358	: C = 16 x 10 ⁻⁸ m ³ /s.Pa (sonic conductance) b = 0.34 (absolute static pressure)
- conforming to NF E29312	: KV = 60 (l/min)
LIFE	: 15 millions of cycles (in normal operating conditions)
BASE	: ISO 5599/01 - Size 3
PORT	: By subbases G 1/2 - G 3/4
SUBBASES	: Single subbases ISO/AFNOR NF E49085 Joinable subbases ISO/VDMA 24345



1 = Pressure	12 = Return
2-4 = Outlets	14 = Pilot
3-5 = Exhausts	

CONSTRUCTION

Steel metal cover painted
 Pilot or return assembly : acetal (POM)
 Sealing nitrile (NBR) and polyurethane (PUR)
 Internal parts : acetal (POM), light alloy
 Multifunction pilot by selector seal (see page P570-31)
 Without or with manual testers checking the spool position

CHOICE OF EQUIPMENT

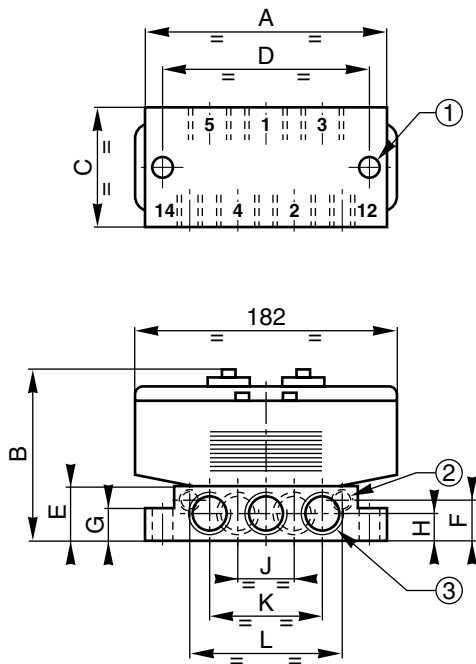
	FUNCTIONS	Pilot (14) Return (12)	Pressure of pilot fluid (in bar)		CODES	
			min.	max.	WITHOUT manual tester	WITH manual testers
5/2		Air operated - Spring return	3	12	54301017	54301001
		Air operated - Differential return	3	12	54301018	54301002
		Air operated - Air return	1,5	12	54301019	54301003
5/3		Pressure held W1 Air operated	3	12	54301020	54301004
		Pressure applied W2 Air operated	3	12	54301022	54301013
		Pressure release W3 Air operated	3	12	54301021	54301005

SUBBASES AND ACCESSORIES ISO 3 : see page P570-34

Series 543

DIMENSIONS AND WEIGHTS

VALVE ON **SINGLE** SUBBASE WITH SIDE PORT (ISO/AFNOR)

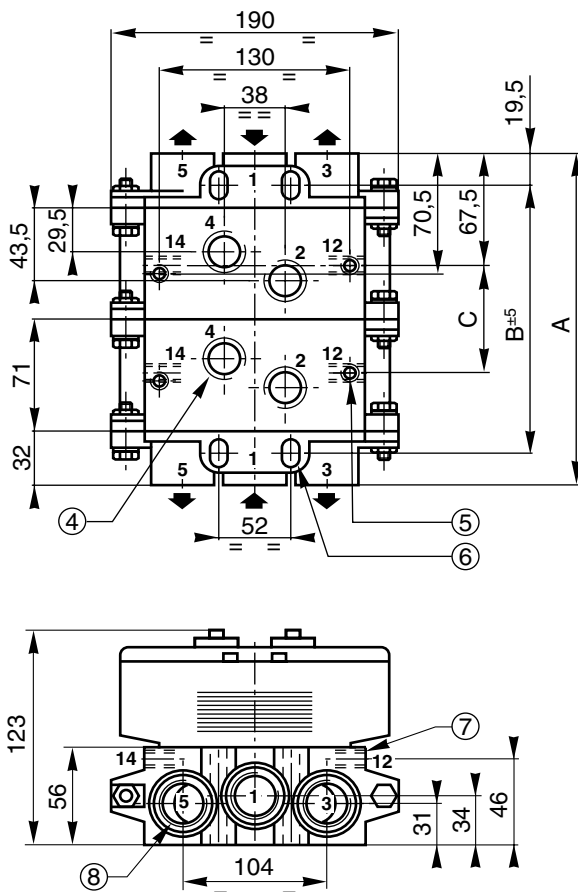


Dimensions	Subbases	
	G 1/2	G 3/4
A	149	149
B	99	117
C	71	71
D	136	136
E	32	50
F	22	40
G	18	18
H	17	20
J	32	36
K	68	80
L	90	92

- ① Mounting : 2 Ø 6.6
- ② 2 ports (12-14) : G 1/8
- ③ 5 ports (1-2-3-4-5) : G 1/2 or G 3/4

Weight of valve on single subbase :
1.400 Kg

VALVES ON **JOINABLE** SUBBASES WITH BOTTOM PORT (ISO/VDMA)



Number of subbases	A	B ± 5	C	Weights (kg)
				Valves + subbases + end plates
2	206	167	71	3.900
3	277	238	142	5.500
4	348	309	213	7.100
5	419	380	284	8.700
6	490	451	355	10.300
7	561	522	426	11.900

Set of end plates supplied with 3 plugs G 1 (for 1-3-5)

- ④ 2 ports (4-2) : G 1/2
- ⑤ Bottom mounting : 2 Ø M8 depth 20
- ⑥ Front mounting : 4 holes Ø12
- ⑦ 2 ports (12-14) : G 1/8
- ⑧ 3 ports (1-3-5) : G 1