

T-coupler M12-male 4p./ 2x M8-female 3p. Replaced Art.-No. 3813880

T-coupler M12 ? M8

4-pole

Distribution function (NO)

Image



Vicarious picture

Form

41201

Technical Data

Operating voltage	max. 60 V AC/DC
Operating current per contact	max. 4 A
Locking of ports	Screw thread M8/M12 × 1 mm (recommended torque 0.4/0.6 Nm), self-securing
Protection	IP65 and IP67 when plugged and screwed down (EN 60529)
Temperature range	-25...+85 °C

Commercial data

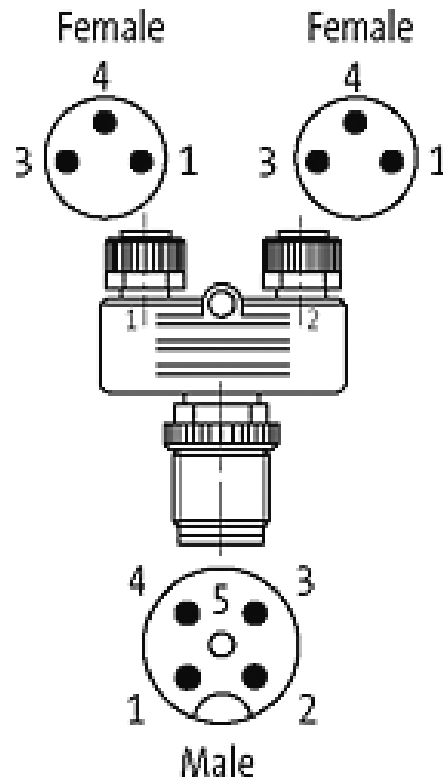
Net weight	22
Weight unit	Gram
Basic unit	pc.
Customs tariff number	85369010
Unit (piece)	1
Minimum order quantity (piece)	1

Comments

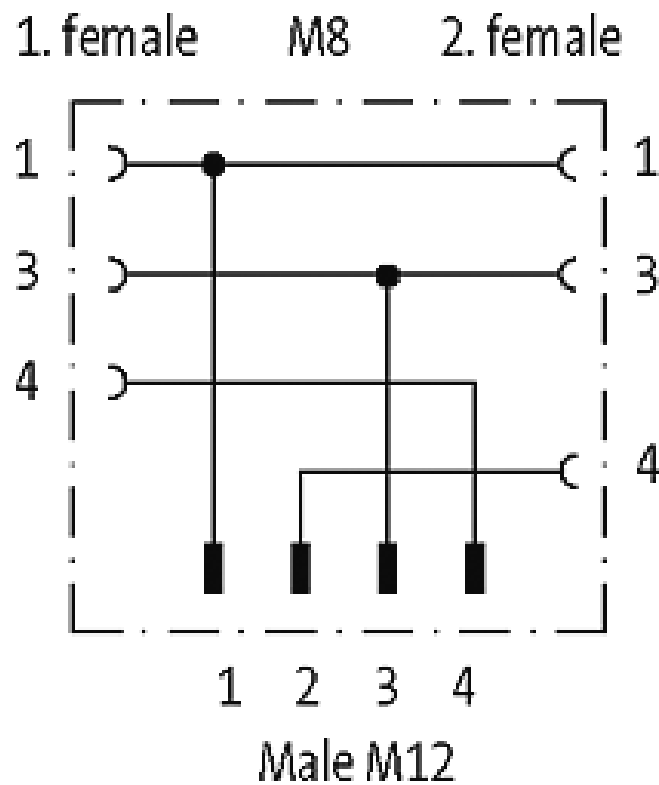
Plastic housings with good resistance against chemicals and oils.

The resistance to aggressive media should be individually tested for your application. Further details on request.

Contact layout



Circuit diagram



Dimension drawing

