

22MM METAL ROUND ACTUATOR:  
MUSHR.PUSHBUTTON 40MM LATCH.W. ROT.-TO-  
UNLATCH MECH. WITH HOLDER BLACK

**Actuator:**

<b>Design of the operating mechanism</b>		mushromm pushbutton, Ø 40 mm
<b>Shape / of the activation element</b>		round
<b>Manner of function / of the activation element</b>		Yes No
<ul style="list-style-type: none"> <li>• arresting lock</li> <li>• tentative</li> </ul>		
<b>Outer diameter / of the activation element</b>	mm	40
<b>Material / of the activation element</b>		plastic

**Button:**

<b>Design of the button</b>		raised
<b>Color / of the button</b>		black

**Front ring:**

<b>Material / of the front ring</b>		metal
<b>Color / of the front ring</b>		silver

**General technical details:**

<b>Design of the product</b>		Ø 40 mm
<b>Number of control points</b>		1
<b>Number of indicator lights / installable</b>		0
<b>Number of switching positions</b>		2
<b>Product extension / optional / fluorescent materials</b>		No
<b>Product function / emergency-OFF function</b>		No
<b>Type of unlocking device</b>		rotate-to-unlatch mechanism
<b>Resistance against shock</b>		<= 50g
<ul style="list-style-type: none"> <li>• for devices without incandescent lamp / according to IEC 60068-2-27</li> </ul>		
<b>Operating cycles / maximum</b>	1/h	1,000
<b>Resistance against vibration / according to IEC 60068-2-6</b>		20 ... 200 Hz: 5g
<b>Mechanical operating cycles as operating time / typical</b>		300,000
<b>Item designation</b>		S
<ul style="list-style-type: none"> <li>• according to DIN 40719 extendable after IEC 204-2 / according to IEC 750</li> </ul>		

- according to DIN EN 61346-2

S

#### Auxiliary Contacts:

Number of NC contacts / for auxiliary contact	0
Number of NO contacts / for auxiliary contact	0
Number of change-over switches / for auxiliary contact	0

#### Installation/mounting/dimensions:

Product component / front ring		Yes
Material / of the housing		metal
Type of mounting		front mounting
Installation width	mm	22
Shape / of the installation hole		round
Mounting diameter	mm	22
Height	mm	40
Width	mm	40
Depth	mm	53.5
Tightening torque / of the screws in the holder / maximum	N·m	1

#### Ambient conditions:

Ambient temperature		
• during the operating phase	°C	70 ... -25
• during storage	°C	-40 ... 80
Protection class IP		IP67
Climatic class / according to DIN EN ISO 6270-2		KTW24

#### Certificates/approvals:

##### General Product Approval


[ROSTEST](#)


##### Test Certificates

[Manufacturer](#)

##### Shipping Approval

[ABS](#)

[PRS](#)


##### other

[Manufacturer](#)

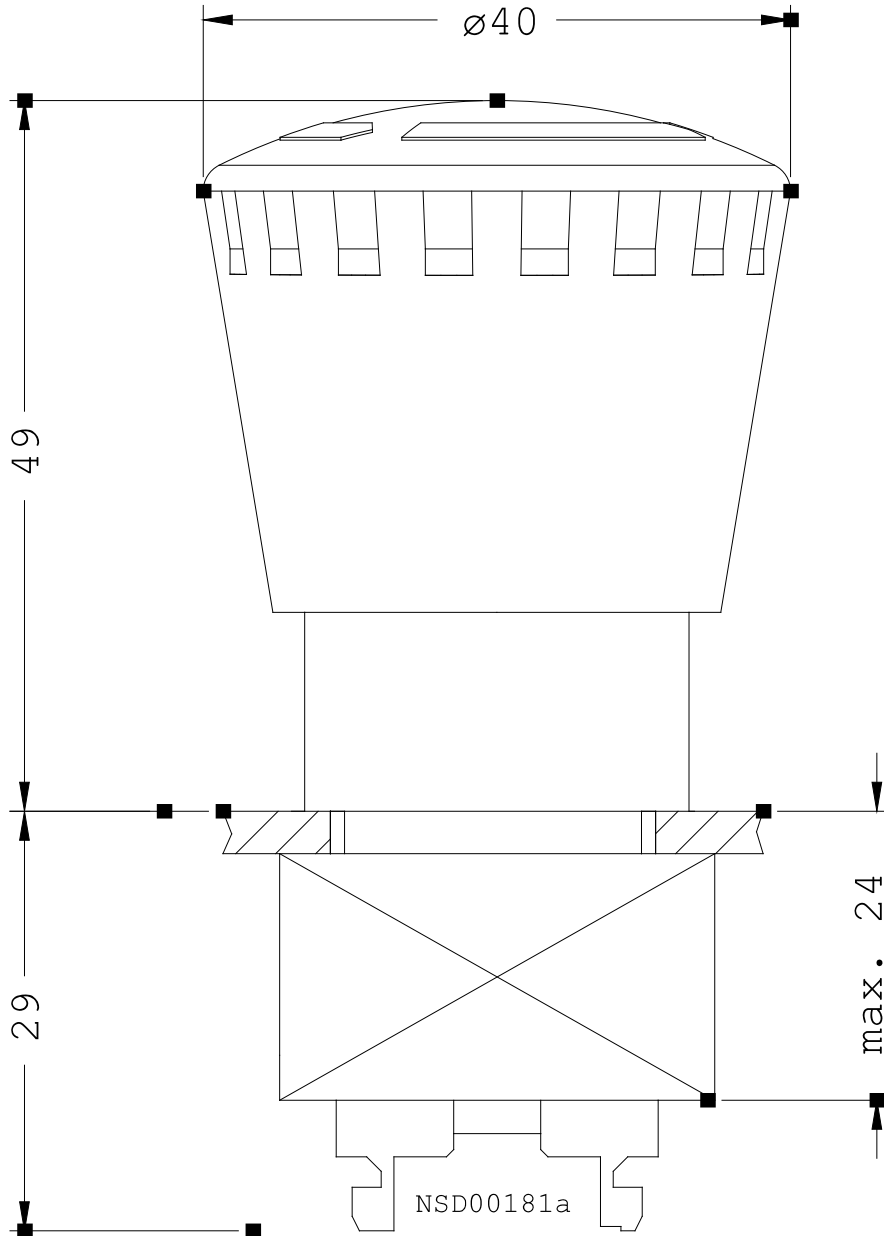
#### Further information:

##### Information- and Downloadcenter (Catalogs, Brochures,...)

<http://www.siemens.com/industrial-controls/catalogs>

##### Industry Mall (Online ordering system)

<http://www.siemens.com/industrial-controls/mall>



last change:

Sep 6, 2010