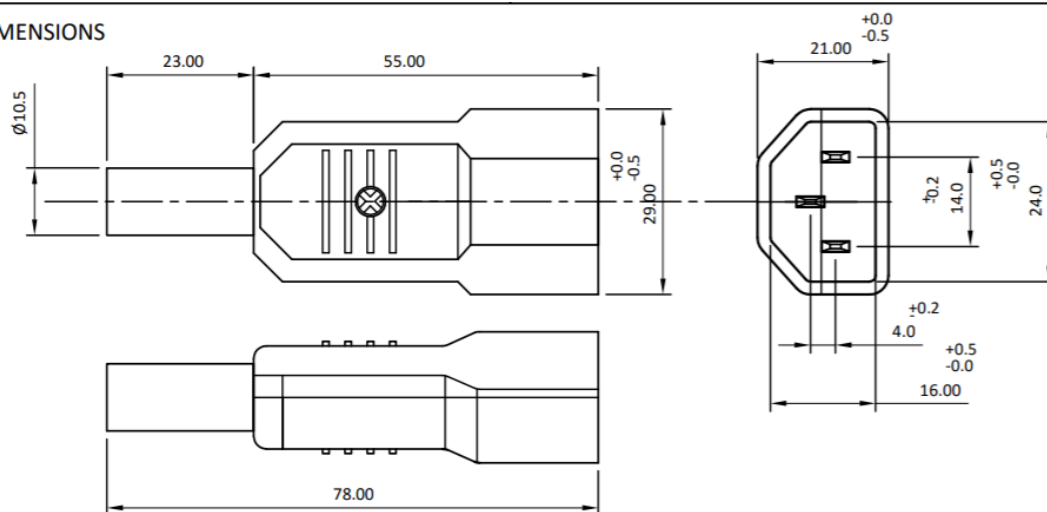


Datasheet

Male Straight Cable Mount IEC Connector

RS Stock number [776-9113](#)

BASIC DIMENSIONS



Specifications

Current & voltage rating:	10Amp (VDE), 15Amp (UL, CSA), 250VAC
Panel thickness:	NA
Permissible temperature - For soldering:	NA
Permissible temperature - With/without load:	0 to 70deg. C
Approvals:	UL(C, US), VDE, CE
Reference Standard:	IEC 60320-1
Material - Body:	Nylon-6, 20% GF, V2
Material - Terminals:	Copper Alloy, Tin plating
Terminals:	Screw-type
Mounting:	Rewirable
HV Breakdown test for 1 Minute:	2 KVAC
Insulation Resistance at 500 VDC:	1000 Mohms min.
Contact Resistance (Initial):	10 mohms max.
Product Description:	IEC rewirable Inlet