



Main

Range of product	Preventa Safety automation
Product or component type	Preventa safety module
Safety module name	XPSAF
Safety module application	For emergency stop, switch and safety light curtain monitoring
Function of module	Emergency stop with 2 NC contacts monitoring 2-channel wiring Multiple emergency stop monitoring 2-channel wiring Monitoring of a movable guard Emergency stop monitoring 1-channel wiring Monitoring of electro-sensitive protection equipment (ESPE)
Safety level	Can reach PL e/category 4 conforming to EN/ISO 13849-1 Can reach SILCL 3 conforming to EN/IEC 62061
Safety reliability data	DC > 99 % conforming to EN/ISO 13849-1 MTTFd = 172.1 years conforming to EN/ISO 13849-1 PFHd = 5.61E-9 1/h conforming to EN/IEC 62061
Type of start	Unmonitored
Connections - terminals	Captive screw clamp terminals, removable terminal block, 1 x 0.2...1 x 2.5 m- m ² flexible with cable end, with double bezel Captive screw clamp terminals, removable terminal block, 1 x 0.2...1 x 2.5 m- m ² solid with cable end, with double bezel Captive screw clamp terminals, removable terminal block, 1 x 0.25...1 x 2.5 m- m ² flexible with cable end, with double bezel Captive screw clamp terminals, removable terminal block, 2 x 0.2...2 x 1 m- m ² solid with cable end, with double bezel Captive screw clamp terminals, removable terminal block, 2 x 0.2...2 x 1.5 m- m ² flexible with cable end, with double bezel Captive screw clamp terminals, removable terminal block, 2 x 0.25...2 x 1 m- m ² flexible with cable end, with double bezel Captive screw clamp terminals, removable terminal block, 2 x 0.5...2 x 1.5 m- m ² flexible with cable end, with double bezel
Output type	Relay instantaneous opening, 3 NO circuit(s), volt-free
Number of additional circuits	0
[Us] rated supply voltage	24 V AC - 15...10 % 24 V DC - 15...10 %

Complementary

Synchronisation time between inputs	Unlimited
Supply frequency	50/60 Hz
Maximum power consumption in VA	5 VA AC
Input protection type	Internal, electronic
[Uc] control circuit voltage	24 V
Maximum line resistance	90 Ohm

Breaking capacity	180 VA holding AC-15 C300 relay output 1800 VA inrush AC-15 C300 relay output
Breaking capacity	1.5 A at 24 V (DC-13) time constant: 50 ms for relay output
Output thermal current	6 A per relay for relay output
[I _{th}] conventional free air thermal current	18 A
Associated fuse rating	4 A gG or gL for relay output conforming to EN/IEC 60947-5-1, DIN-VDE 0660 part 200 6 A fast blow for relay output conforming to EN/IEC 60947-5-1, DIN-VDE 0660 part 200
Minimum output current	10 mA for relay output
Minimum output voltage	17 V for relay output
Maximum response time on input open	40 Ms
[U _i] rated insulation voltage	300 V (pollution degree 2) conforming to IEC 60947-5-1 300 V (pollution degree 2) conforming to DIN VDE 0110 part 1
[U _{imp}] rated impulse withstand voltage	4 KV overvoltage category III conforming to IEC 60947-5-1 4 KV overvoltage category III conforming to DIN VDE 0110 part 1
Local signalling	3 LEDs
Current consumption	30 mA at 24 V AC on power supply
Mounting support	35 mm symmetrical DIN rail
Net weight	0.25 Kg

Environment

Standards	EN 60204-1 EN 1088/ISO 14119 EN/ISO 13850 EN/IEC 60947-5-1 EN/IEC 61496-1 (type 4)
Product certifications	UL TÜV CSA
IP degree of protection	IP20 (terminals) conforming to EN/IEC 60529 IP40 (enclosure) conforming to EN/IEC 60529
Ambient air temperature for operation	-10...55 °C
Ambient air temperature for storage	-25...85 °C

Packing Units

Unit Type of Package 1	PCE
Number of Units in Package 1	1
Package 1 Weight	257 G
Package 1 Height	3 Cm
Package 1 width	10.5 Cm
Package 1 Length	12 Cm

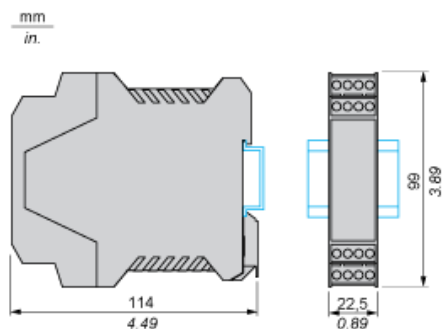
Offer Sustainability

Sustainable offer status	Green Premium product
REACH Regulation	REACH Declaration
EU RoHS Directive	Pro-active compliance (Product out of EU RoHS legal scope) EU RoHS Declaration
Mercury free	Yes
RoHS exemption information	Yes
China RoHS Regulation	China RoHS Declaration
Environmental Disclosure	Product Environmental Profile
Circularity Profile	End Of Life Information
WEEE	The product must be disposed on European Union markets following specific waste collection and never end up in rubbish bins
PVC free	Yes

Contractual warranty

Warranty	18 months
----------	-----------

Dimensions



Product Life Status : **End of commerc. announced**

XPSAFL5130P may be replaced by any of the following products:



XPSUAF13AP

Preventa module Cat.4 potential free NC/NC, NO/NC & PNP/PNP 24vac/dc screw

Qty 1

Reason for Substitution: End of life | Substitution date: 01 Jun 2019 |



XPSUAF13AP

Preventa module Cat.4 potential free NC/NC, NO/NC & PNP/PNP 24vac/dc screw

Qty 1

Reason for Substitution: End of life | Substitution date: 01 Jun 2019 |



XPSUAF13AP

Preventa module Cat.4 potential free NC/NC, NO/NC & PNP/PNP 24vac/dc screw

Qty 1

Reason for Substitution: End of life | Substitution date: 01 Jun 2019 |



XPSUAF13AP

Preventa module Cat.4 potential free NC/NC, NO/NC & PNP/PNP 24vac/dc screw

Qty 1

Reason for Substitution: End of life | Substitution date: 19 Feb 2020 |



XPSUAF13AP

Preventa module Cat.4 potential free NC/NC, NO/NC & PNP/PNP 24vac/dc screw

Qty 1

Reason for Substitution: End of life | Substitution date: 21 Aug 2020 |



XPSUAF33AC

Preventa module Cat.4 potential free NC/NC, NO/NC & PNP/PNP 48-240vac/dc spring

Qty 1

Reason for Substitution: End of life | Substitution date: 21 Aug 2020 |



XPSUAF33AP

Preventa module Cat.4 potential free NC/NC, NO/NC & PNP/PNP 48-240vac/dc screw

Qty 1

Reason for Substitution: End of life | Substitution date: 21 Aug 2020 |
