

# rotronic

**Datenblatt - Fiche technique - Data sheet**

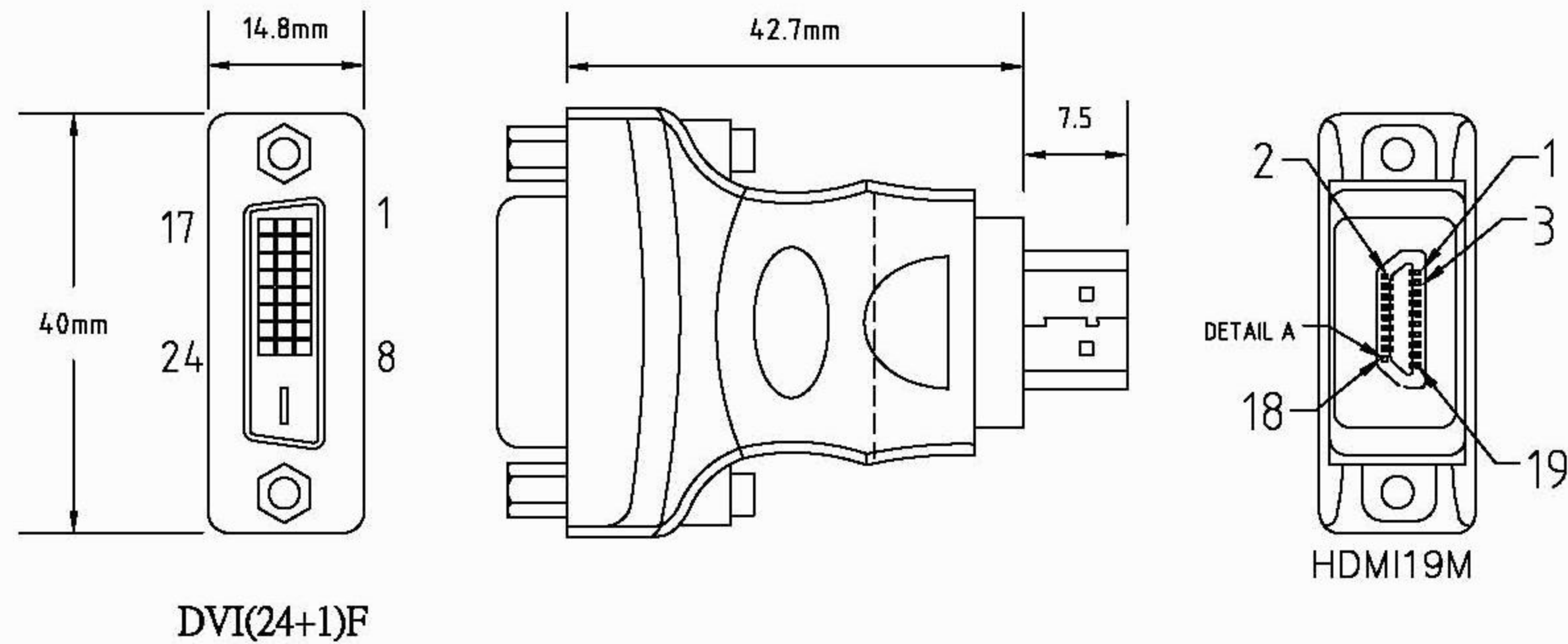
**12.03.3115**



**ROLINE HDMI-DVI Adapter, HDMI ST / DVI-D BU,**

**ROLINE Adaptateur HDMI-DVI, HDMI M-DVI F,**

**ROLINE HDMI-DVI Adapter, HDMI M – DVI F,**



包装方式:RLA真空罩+红色小插卡+条码贴纸包装

NOTE:

1. CABLE: 28AWG, UL1007, 電子線, 19C, BLUE\*19C, PVC JACKET
2. LENGTH: 35MM\*19C
3. CONNECTOR: DVI24+1F\*1PCS, HDMI19M\*1PCS (黑膠芯)
4. CONTACTS:

HDMI19M	1	3	2	4	6	5	7	9	8	10	12	11	17	18	15	16	19	64
DVI24+1(F)	2	1	3	10	9	11	18	17	19	23	24	22	15	14	6	7	16	64

5. MOLD: 轉換頭模, 成型裝配黑色料
6. OPEN/SHORT TEST: 100% TEST.  
INSULATION: 1M.

COMPANY	RLA		ITEM NO.	12.03.3115	編號	B	<b>Rotronic Co., Ltd.</b>	SCALE	
REVISION	DATE	DISCRIPTION	DRAWN BY					UNIT(mm)	
REV.A/0	2007.02.01	C9-2702004	DESIGNED BY					DRAWING NO.	
			APPROVAL BY						