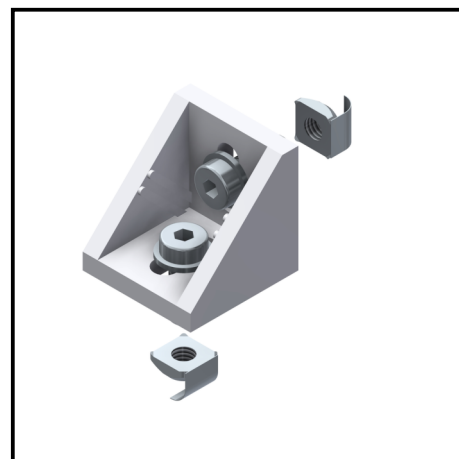
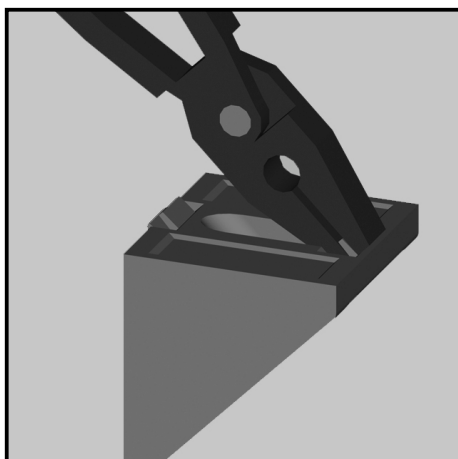
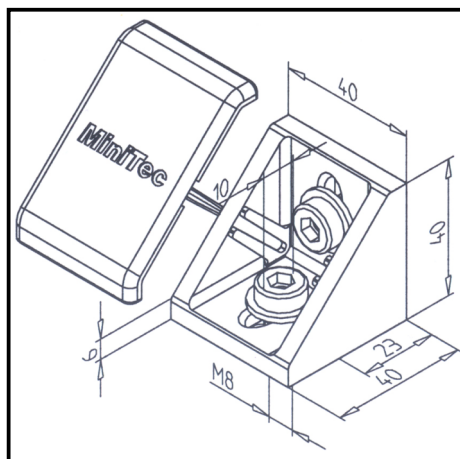


MOUNTING ANGLE 45 GD-Z CONDUCTIVE

Article Nr. 21.1349/8

See the product on the website →



TECHN. DATA / ITEMS SUPPLIED

- Aluminium, Pressure die-casting, blasted
- With fastening material steel, zinc plated
- Weight = 0.088 kg/piece

APPLICATIONS

- General constructions, particularly for subsequent insertion of profiles into existing constructions
- Fastening of surface elements, table tops
- Strengthening of profile constructions

ASSEMBLY

- Fasten to profile groove with supplied hardware
- Hammer head screw **part no.** [21.1370/0](#) can be used
- Recommended locking torque: 20 Nm