

Electronic housing - EG 45-GP/ABS GN - 2764153

Please be informed that the data shown in this PDF Document is generated from our Online Catalog. Please find the complete data in the user's documentation. Our General Terms of Use for Downloads are valid (<http://phoenixcontact.com/download>)



Housing base, with snap foot and test opening with side cover


Illustration shows a fully mounted version of the electronic housing

Why buy this product

- Tool-free mounting
- Date of manufacture and material and part identification embossed on the housing (recyclability)
- Functional and industry-oriented housing technology
- Optimum accommodation of electronic components with graded pitches with a design width of 22.5 mm, 45 mm, 67.5 mm, and 90 mm
- Practical and easy-to-wire conductor connection using extra finely stranded sturdy screw terminal blocks up to 2.5 mm²
- Fast snap-on mounting on symmetrical DIN rails according to EN 60715
- Shock and contamination-proof accommodation of electronic components (IP40 housing, IP20 terminal blocks)
-



Key commercial data

| | |
|--------------------------------------|---|
| Packing unit | 10 pc |
| Minimum order quantity | 10 pc |
| GTIN |  4 017918 065867 |
| Weight per Piece (excluding packing) | 54.6 g |
| Custom tariff number | 85389099 |
| Country of origin | Germany |

Technical data

| | |
|--------------|------------------------------|
| Product type | Component housing lower part |
| Approval | UL Recognized |
| Width | 45 mm |
| Height | 107.5 mm |
| Depth | 75 mm |
| Color | green |

Electronic housing - EG 45-GP/ABS GN - 2764153

Technical data

| | |
|----------------------------------|-----------------------|
| No. of pos. for cross connection | - |
| Type of cross connection | without bus connector |
| Functional earth ground contact | without |

Classifications

eCl@ss

| | |
|------------|----------|
| eCl@ss 4.0 | 27180401 |
| eCl@ss 4.1 | 27180401 |
| eCl@ss 5.0 | 27180506 |
| eCl@ss 5.1 | 27180506 |
| eCl@ss 6.0 | 27180802 |
| eCl@ss 7.0 | 27182702 |
| eCl@ss 8.0 | 27182702 |

ETIM

| | |
|----------|----------|
| ETIM 2.0 | EC001031 |
| ETIM 3.0 | EC001031 |
| ETIM 4.0 | EC001031 |
| ETIM 5.0 | EC001031 |

UNSPSC

| | |
|---------------|----------|
| UNSPSC 6.01 | 31261501 |
| UNSPSC 7.0901 | 31261501 |
| UNSPSC 11 | 31261501 |
| UNSPSC 12.01 | 31261501 |
| UNSPSC 13.2 | 31261501 |

Approvals

Approvals

Approvals

UL Recognized


Ex Approvals

Approvals submitted

Approval details

Electronic housing - EG 45-GP/ABS GN - 2764153

Approvals

UL Recognized 

Accessories

Accessories

Coding element

Coding star - CR-MSTB - 1734401



Coding section, inserted into the recess in the header or the inverted plug, red insulating material

Coding profile - CP-MSTB - 1734634



Coding profile, is inserted into the slot on the plug or inverted header, red insulating material

Coding star - CR-MSTB - 1734401



Coding section, inserted into the recess in the header or the inverted plug, red insulating material

Coding profile - CP-MSTB - 1734634



Coding profile, is inserted into the slot on the plug or inverted header, red insulating material

PCB plug

Electronic housing - EG 45-GP/ABS GN - 2764153

Accessories

Printed-circuit board connector - MVSTBW 2,5/ 8-ST - 1792582



Plug component, Nominal current: 12 A, Rated voltage (III/2): 320 V, Number of positions: 8, Pitch: 5 mm, Connection method: Screw connection, Color: green, Contact surface: Tin

Printed-circuit board connector - MVSTBW 2,5/ 8-ST-5,08 - 1792812



Plug component, Nominal current: 12 A, Rated voltage (III/2): 320 V, Number of positions: 8, Pitch: 5.08 mm, Connection method: Screw connection, Color: green, Contact surface: Tin

Plug - MVSTBW 2,5/ 8-STEH - 1784309

Plug component, Nominal current: 12 A, Rated voltage (III/2): 320 V, Number of positions: 8, Pitch: 5 mm, Connection method: Screw connection, Color: green, Contact surface: Tin

Printed-circuit board connector - FKCT 2,5/ 8-ST - 1909278



Plug component, Nominal current: 12 A, Rated voltage (III/2): 320 V, Number of positions: 8, Pitch: 5 mm, Connection method: Push-in spring connection, Color: green, Contact surface: Tin

Printed-circuit board connector - FKCT 2,5/ 8-ST-5,08 - 1902178



Plug component, Nominal current: 12 A, Rated voltage (III/2): 320 V, Number of positions: 8, Pitch: 5.08 mm, Connection method: Push-in spring connection, Color: green, Contact surface: Tin

Printed circuit board housing

Base strip - MSTBO 2,5/ 8-GL-5,08 - 1850495



Header, Nominal current: 8 A, Rated voltage (III/2): 320 V, Number of positions: 8, Pitch: 5.08 mm, Color: green, Contact surface: Tin, Mounting: Soldering

Electronic housing - EG 45-GP/ABS GN - 2764153

Accessories

Printed circuit board terminal

PCB terminal block base - MKKDSH 3/ 2 - 1721045



PCB terminal block, Nominal current: 24 A, Nom. voltage: 400 V, Pitch: 5 mm, Number of positions: 2, Connection method: Screw connection, Mounting: Soldering, Conductor/PCB connection direction: 0 °, Color: green, The article can be aligned to create different nos. of positions!

PCB terminal block - MKKDSH 3/ 3 - 1721346



PCB terminal block, Nominal current: 24 A, Nom. voltage: 400 V, Pitch: 5 mm, Number of positions: 3, Connection method: Screw connection, Mounting: Soldering, Conductor/PCB connection direction: 0 °, Color: green, The article can be aligned to create different nos. of positions!

PCB terminal block base - MKKDSH 3/ 8 - 1703283

PCB terminal block, Nominal current: 24 A, Nom. voltage: 400 V, Pitch: 5 mm, Number of positions: 8, Connection method: Screw connection, Mounting: Soldering, Conductor/PCB connection direction: 0 °, Color: green, The article can be aligned to create different nos. of positions!

Necessary add-on products

Electronic housing - EG 45-AE/ABS GN - 2764409



Housing cover, for connection on one side

Electronic housing - EG 45-A/ABS GN - 2764179



Housing cover, for connection on both sides

Electronic housing - EG 45-GP/ABS GN - 2764153

Accessories

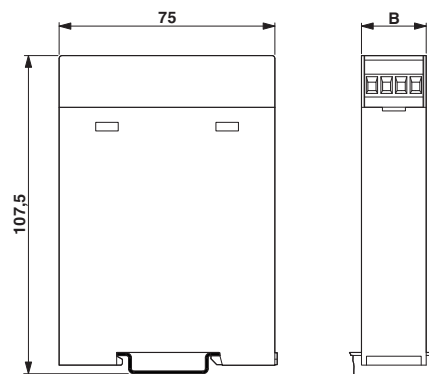
Electronic housing - EG 45-AG/ABS GN - 2907363



Housing cover, closed

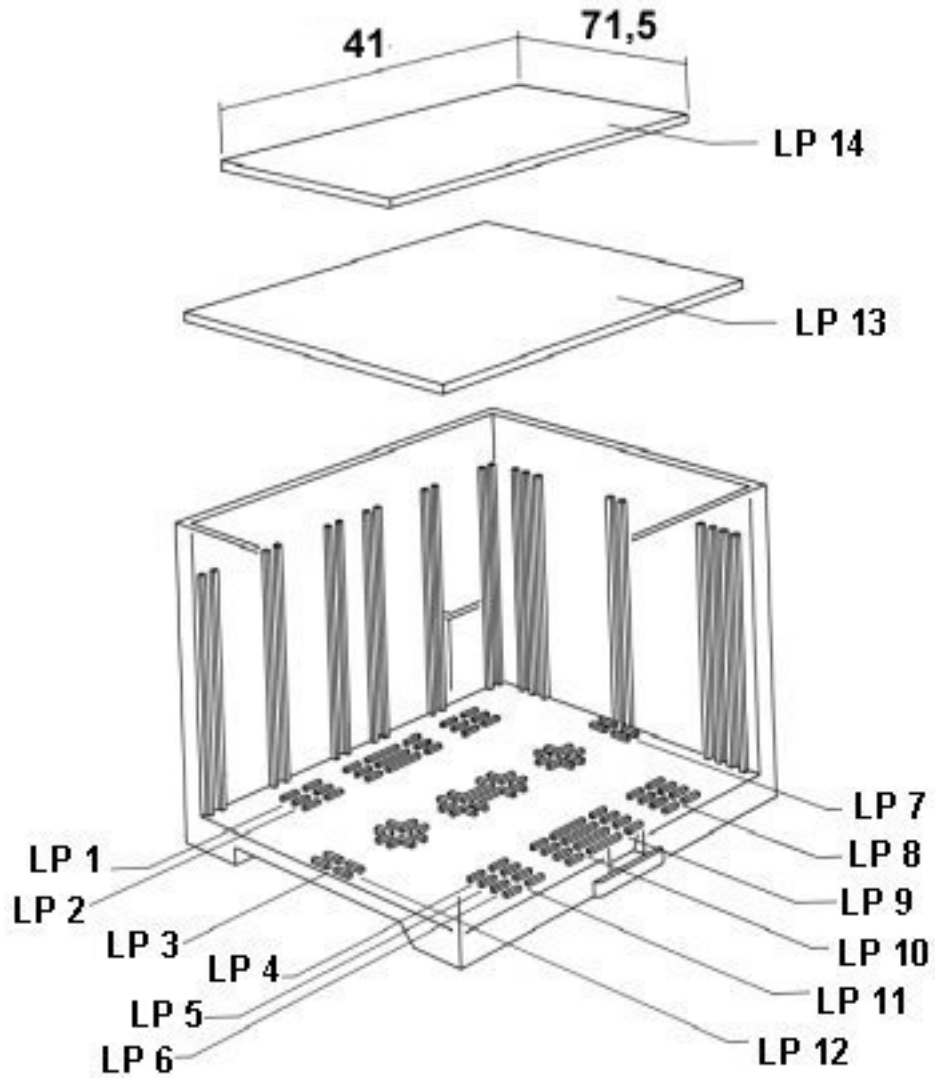
Drawings

Dimensional drawing



Electronic housing - EG 45-GP/ABS GN - 2764153

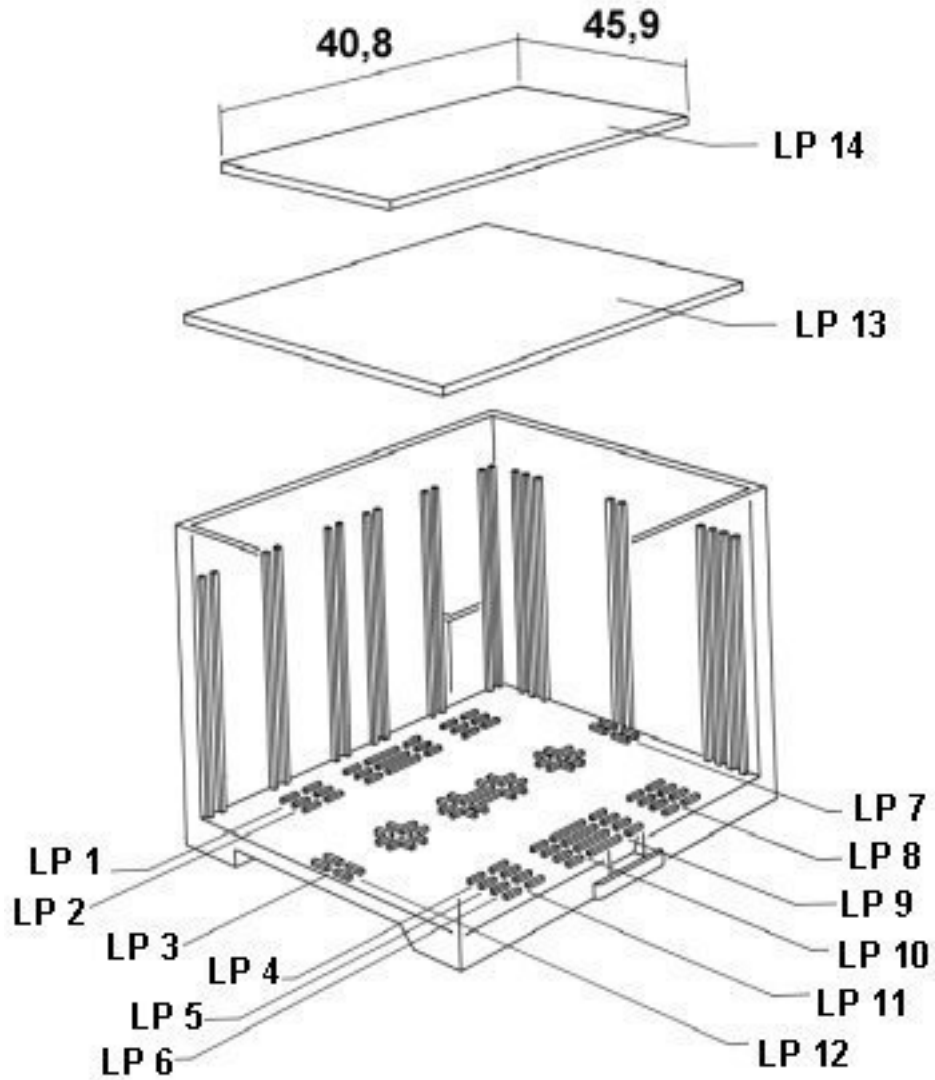
Explosion drawing



valid for PCB 13

Electronic housing - EG 45-GP/ABS GN - 2764153

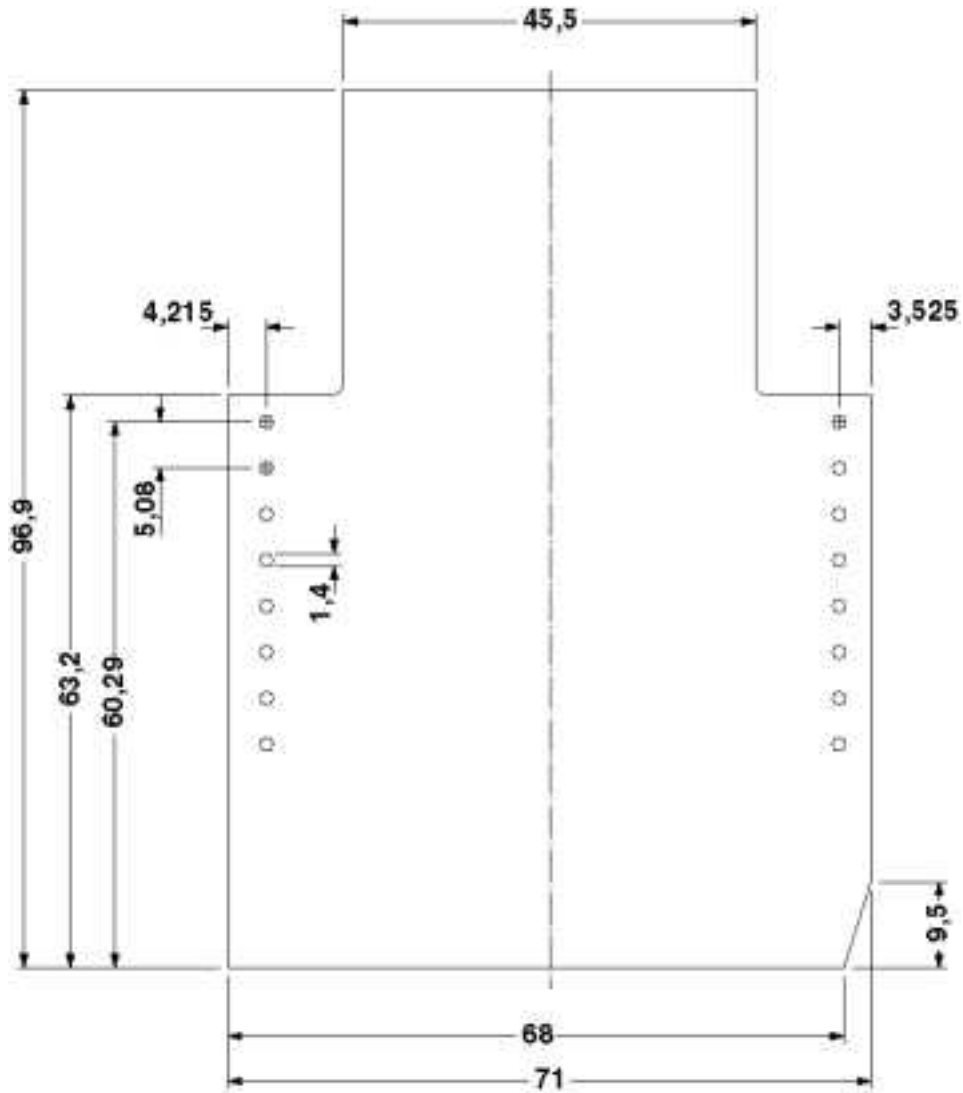
Explosion drawing



valid for PCB 14

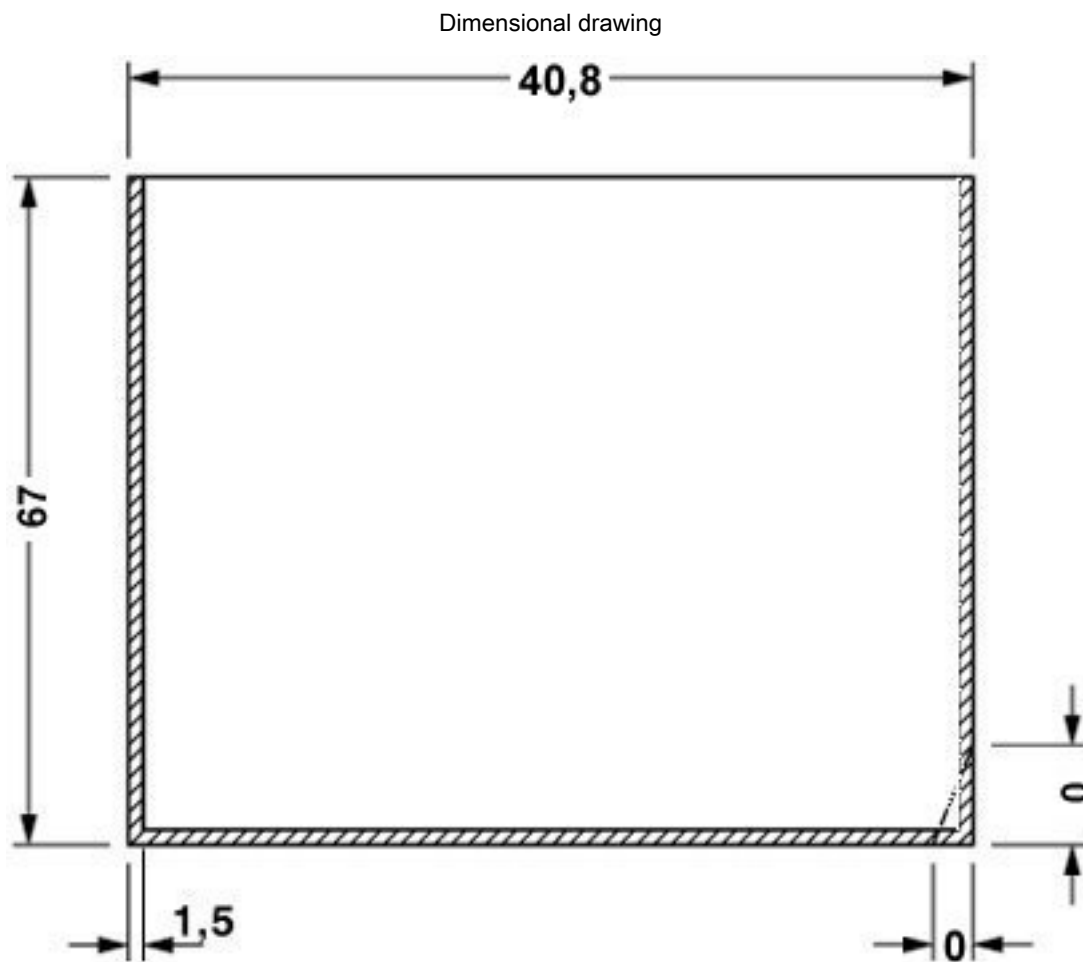
Electronic housing - EG 45-GP/ABS GN - 2764153

Dimensional drawing



Component mounting side, if the double-level upper part is used

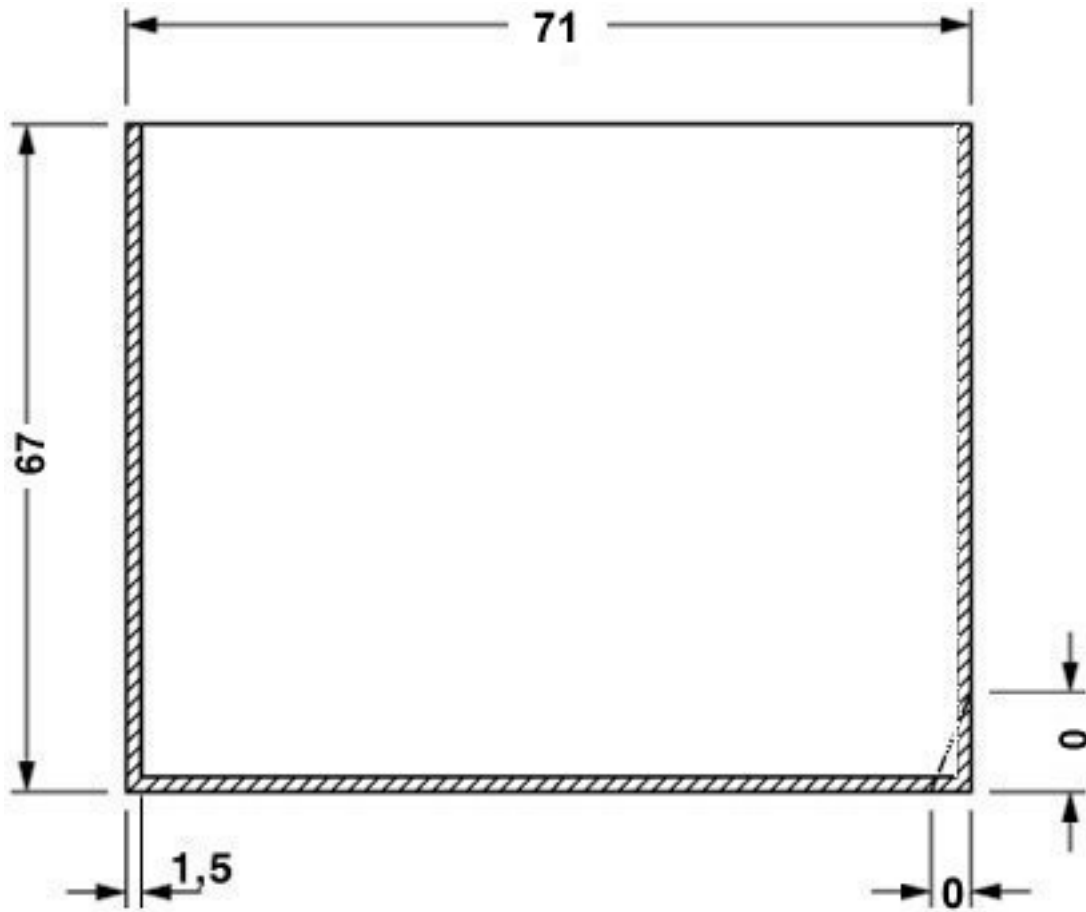
Electronic housing - EG 45-GP/ABS GN - 2764153



valid for PCB 1; 3; 5 and 6, see explosion drawing

Electronic housing - EG 45-GP/ABS GN - 2764153

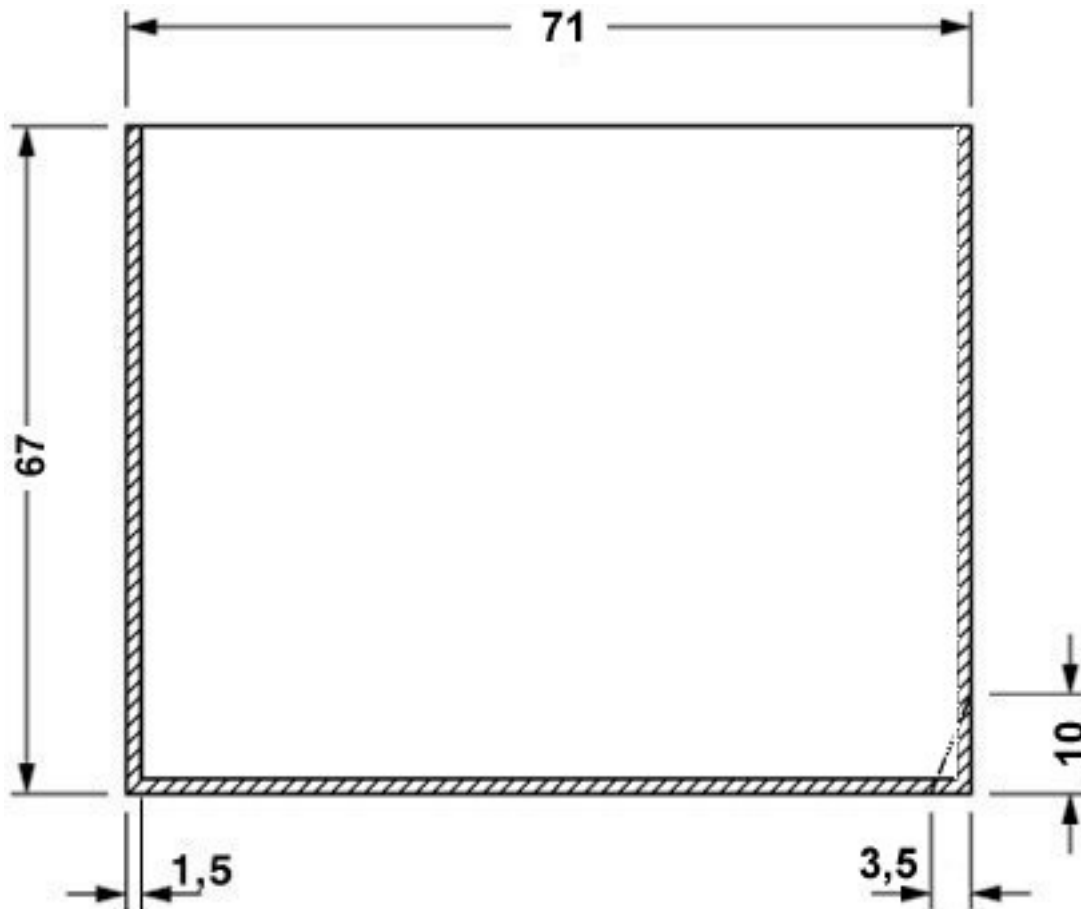
Dimensional drawing



valid for PCB 7 and 12, see explosion drawing

Electronic housing - EG 45-GP/ABS GN - 2764153

Dimensional drawing



valid for PCB 10, see explosion drawing