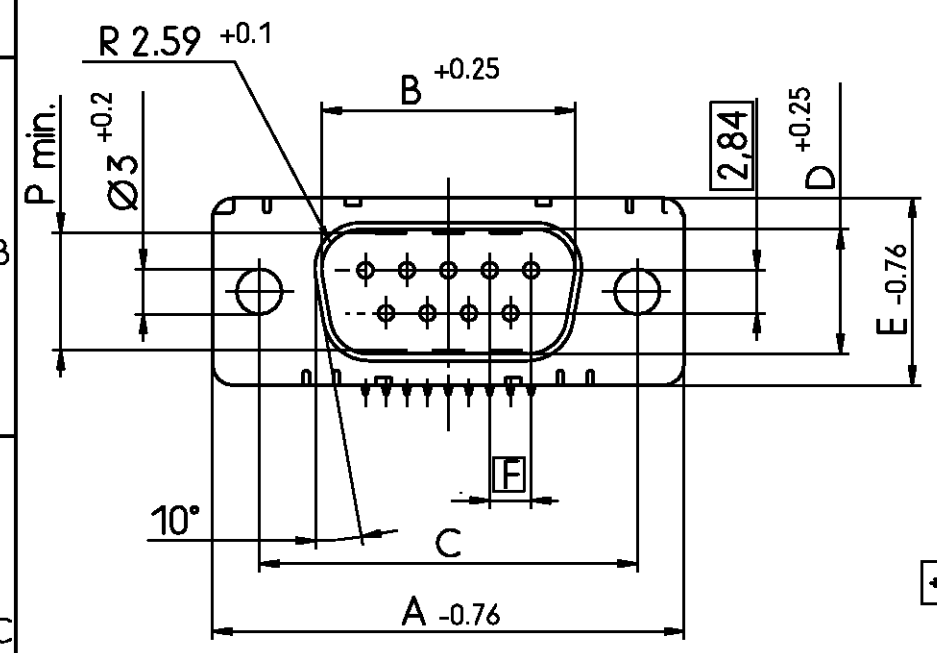


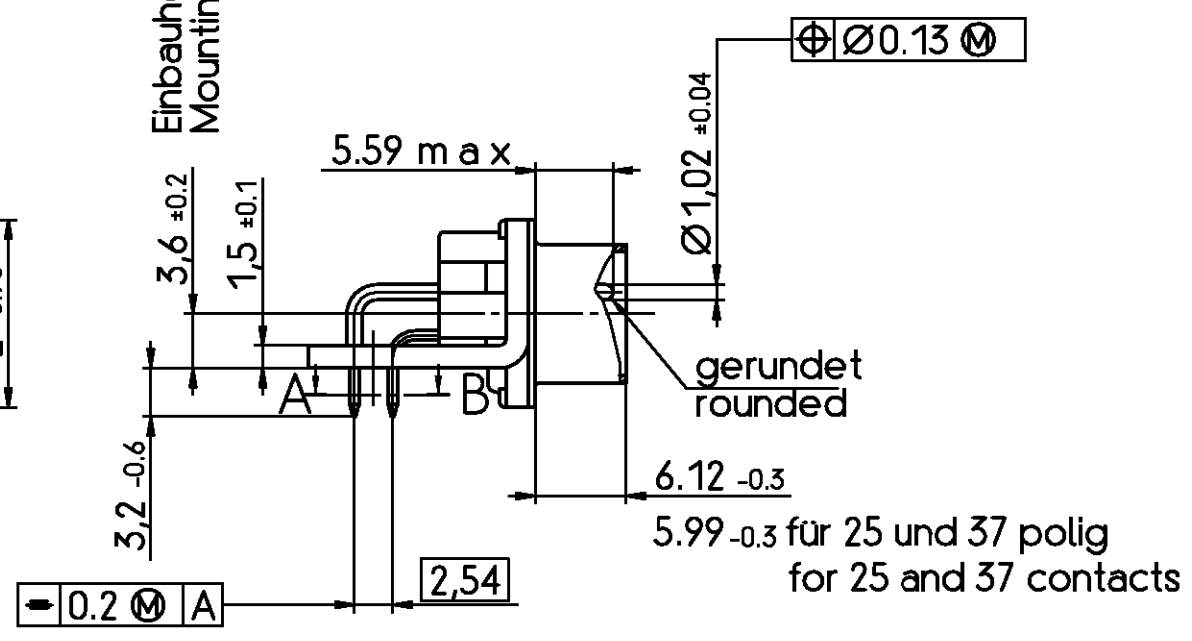
THIS INFORMATION IS CONFIDENTIAL AND PROPRIETARY TO TYCO ELECTRONICS CORPORATION AND ITS WORLDWIDE SUBSIDIARIES AND AFFILIATES. IT MAY NOT BE DISCLOSED TO ANYONE, OTHER THAN TYCO ELECTRONICS PERSONNEL, WITHOUT WRITTEN AUTHORIZATION FROM TYCO ELECTRONICS CORPORATION, HARRISBURG PENNSYLVANIA USA

PROPRIETARY:

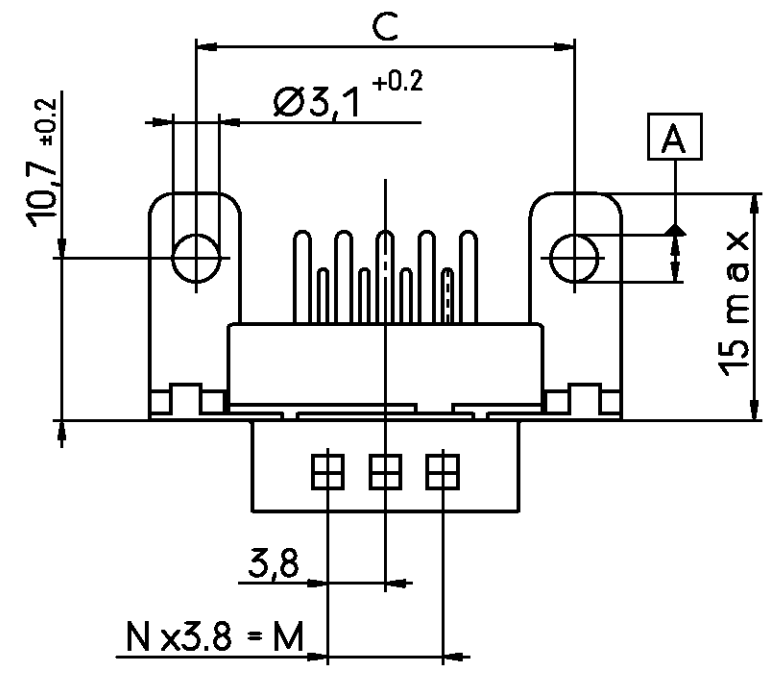
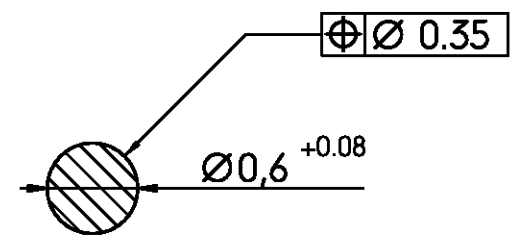
Standardausführung: V23529-Bx121-Cxxx-+
 Standardversion



Einbauhöhe
 Mounting height



Schnitt AB des Lötanschlusses
 Cross-section AB of solderpin
 (20:1)



Ordercode Sachnr	Contacts Polzahl	Mass / Dimension								
		A	B	C	D	E	F	M	N	P
..-Cx09-+	09	31.19	16.79	25.0 ^{+0.12} / _{-0.13}	8.23	12.93	2.74	7.6	2	7.72
..-Cx15-+	15	39.52	25.12	33.3 ^{+0.15} / _{-0.1}	8.23	12.93	2.74	15.2	4	7.69
..-Cx25-+	25	53.42	38.84	47.04 ^{+0.13} / _{-0.13}	8.23	12.93	2.76	26.6	7	7.65
..-Cx37-+	37	69.7	55.30	63.5 ^{+0.13} / _{-0.13}	8.23	12.93	2.76	41.8	11	7.65

Anforderungsstufe / Performance level ¹⁾

1) nach DIN 41652 T.2 und T.4
 according to DIN 41652 T.2 and T.4

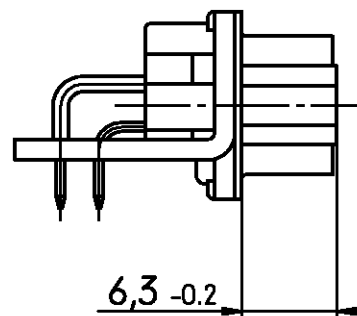
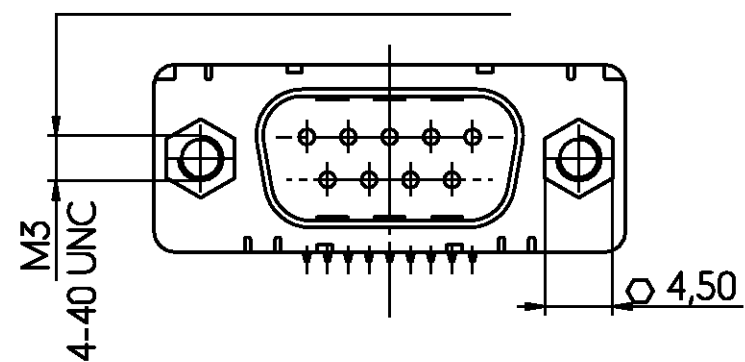
tyco		TYCO ELECTRONICS CORPORATION		SCALE 2:1 (20:1)		WEIGHT	
Electronics		OOSTKAMP - BELGIUM		DIMENSIONS IN MM		MATERIAL	
REV. CHANGE ORDER		DATE		DATE 31.03.89		PART NAME	
A3 SR10-0386-02		28 AUG 02		KV		Sub-D 90° Lötanschluss Stifftaste	
A2 SR10-0334-02		01 JUL 02		KV		Einbauhöhe 3.6 mm	
A1 SR10-0138-02		04 MAR 02		KV		D-Sub 90° solder version pin connector	
A WO 00/7003		26.05.00		VS		mounting height 3.6 mm	
06 WO97/2518		04.02.97		BTH		PART NO.	
05 WO96/2515		15.04.96		BTH		V23529-B****-C***-*-7427	
REV. CHANGE ORDER		DATE		APP.		SHT. 1+	
				Customer Drawing Nr. C 2-1393480-1		OF 6	

THIS INFORMATION IS CONFIDENTIAL AND PROPRIETARY TO TYCO ELECTRONICS CORPORATION AND ITS WORLDWIDE SUBSIDIARIES AND AFFILIATES. IT MAY NOT BE DISCLOSED TO ANYONE, OTHER THAN TYCO ELECTRONICS PERSONNEL, WITHOUT WRITTEN AUTHORIZATION FROM TYCO ELECTRONICS CORPORATION, HARRISBURG PENNSYLVANIA USA

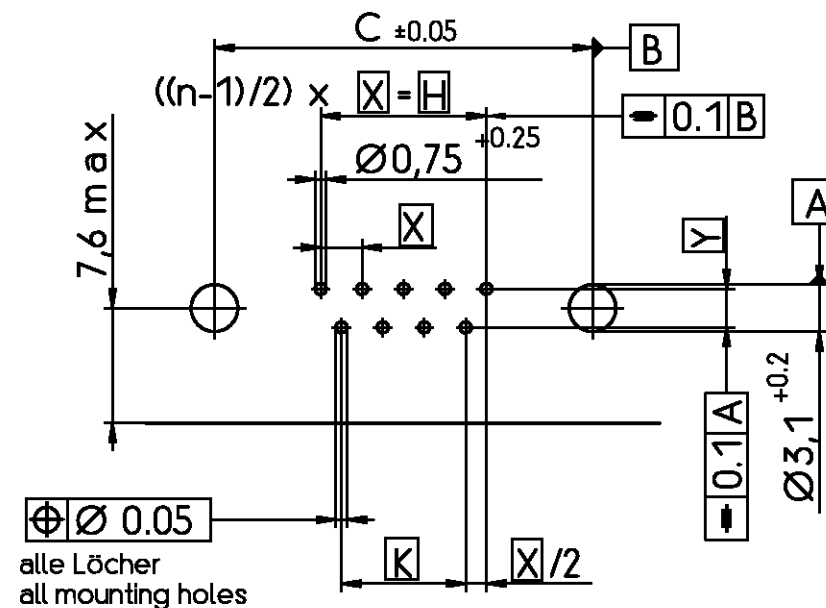
PROPRIETARY:

mit Gewindebolzen : M3 V23529-Bxx24-Cxxx-+
with threadlock 4-40 UNC V23529-Bxx25-Cxxx-+

Verdrehsicherheit ≥ 70 Ncm
torsionresistance

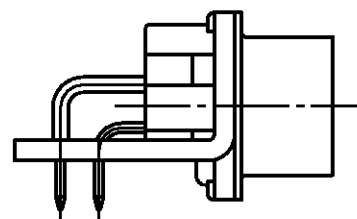
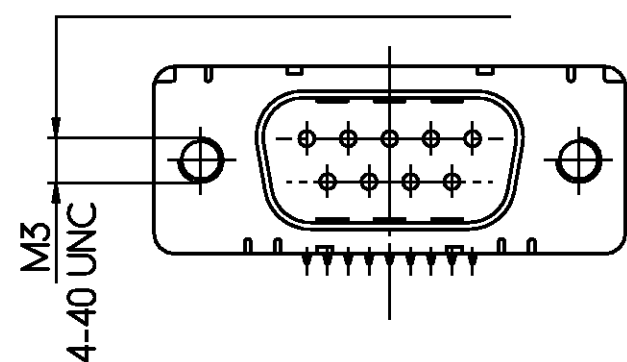


Leiterplattenbohrung
PCB hole pattern



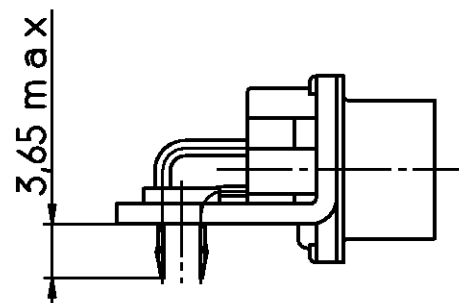
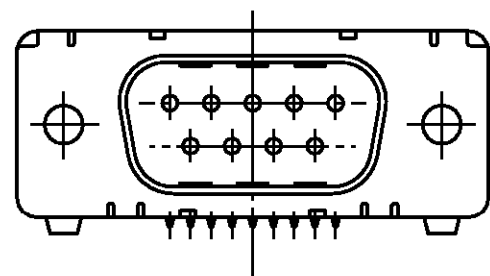
mit Gewinde : M3 V23529-Bxx22-Cxxx-+
with thread 4-40 UNC V23529-Bxx23-Cxxx-+

Verdrehsicherheit ≥ 70 Ncm
torsionresistance



Mass Dimension	Polzahl n Number of contacts n			
	9	15	25	37
C	25	33.3	47.04	63.5
H	10.96	19.18	33.12	49.68
K	8.22	16.44	30.36	46.92
X	2.74	2.74	2.76	2.76
Y	2.54			

mit Clipbefestigung V23529-Bx22x-Cxxx-+
with snap-in



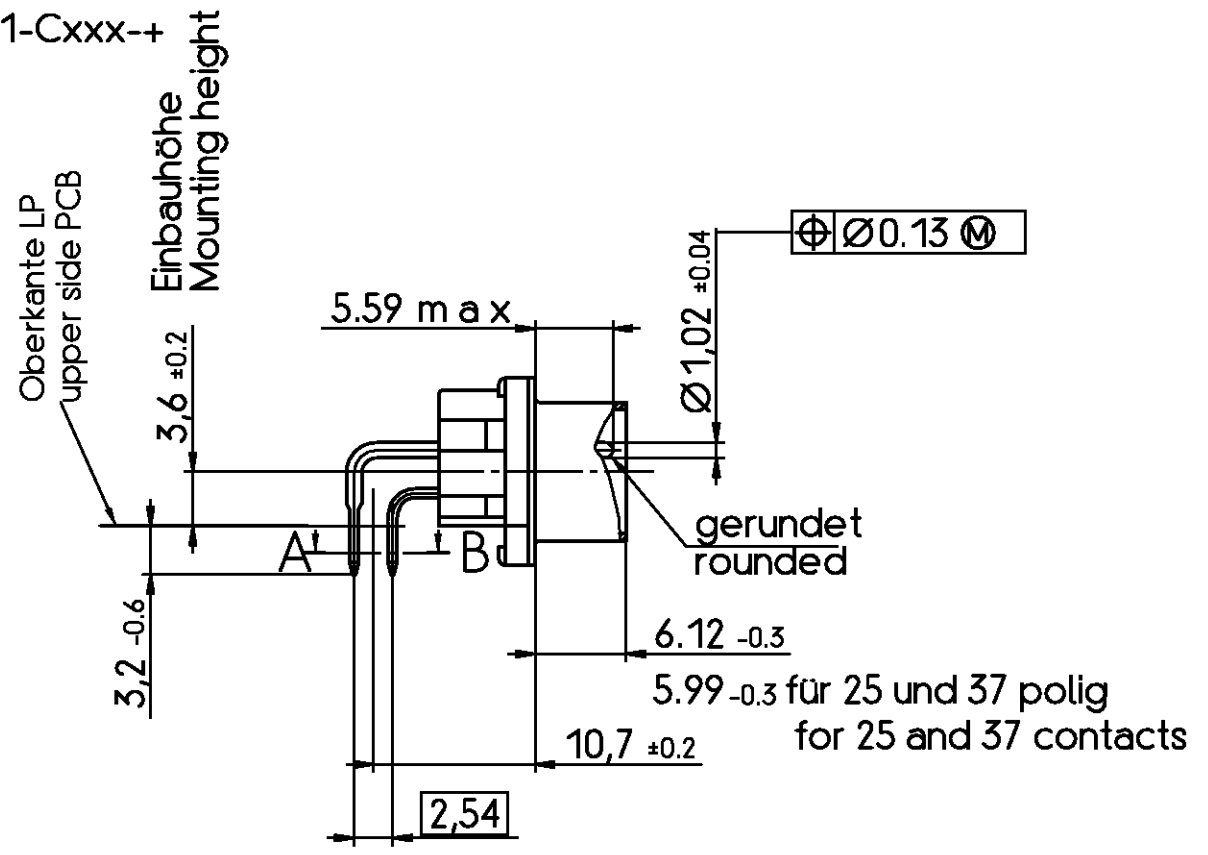
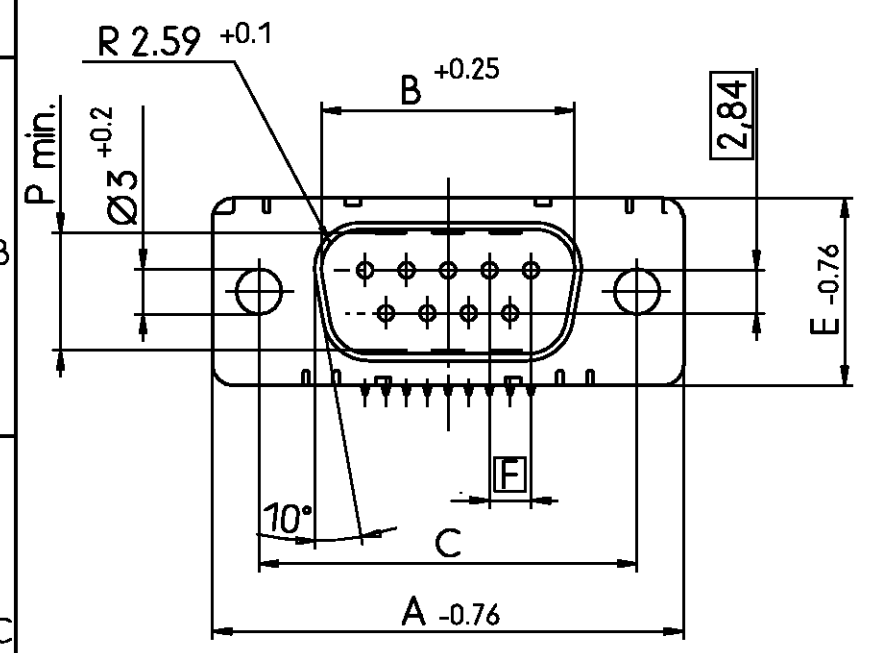
LP-Dicke $1,6 \pm 0,13$ mm, Loch $\text{Ø}3,1^{+0,2}$
PC-board-thickness $1,6 \pm 0,13$ mm, Hole $\text{Ø}3,1^{+0,2}$

1) nach DIN 41652 T.2 und T.4
according to DIN 41652 T.2 and T.4

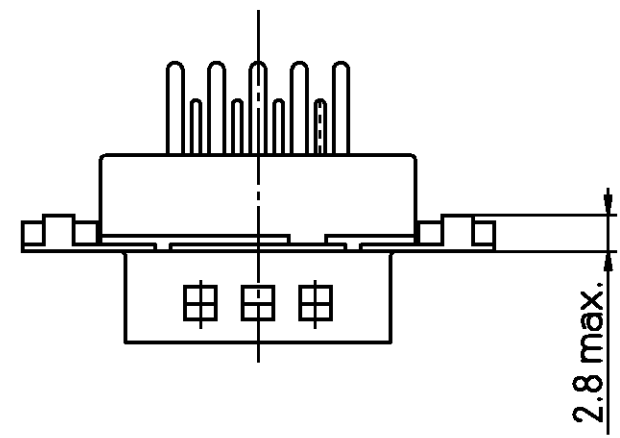
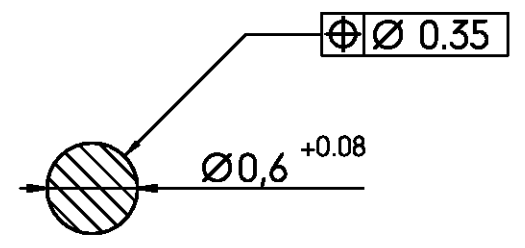
tyco TYCO ELECTRONICS CORPORATION		SCALE 2:1		WEIGHT
OOSTKAMP - BELGIUM		DIMENSIONS IN MM		MATERIAL
DATE	31.03.89	PART NAME Sub-D 90° LötAusführung Stiftleiste Einbauhöhe 3.6 mm D-Sub 90° solderversion pin connector mounting height 3.6 mm		
NAME	Embo			
DEP.	PD COM			
TOLERANCE UNLESS SPECIFIED OTHERWISE		PART NO.		SHT. 2+
A3 see page 1		V23529-B*****-C***-*-7427		OF 6
REV.	CHANGE ORDER	DATE	APP.	Customer Drawing Nr. C 2-1393480-1

THIS INFORMATION IS CONFIDENTIAL AND PROPRIETARY TO TYCO ELECTRONICS CORPORATION AND ITS WORLDWIDE SUBSIDIARIES AND AFFILIATES. IT MAY NOT BE DISCLOSED TO ANYONE, OTHER THAN TYCO ELECTRONICS PERSONNEL, WITHOUT WRITTEN AUTHORIZATION FROM TYCO ELECTRONICS CORPORATION, HARRISBURG PENNSYLVANIA USA

Standardausführung ohne Winkel: V23529-B50x1-Cxxx-+
 Standardversion without bracket



Schnitt AB des Lötanschlusses
 Cross-section AB of solderpin
 (20:1)



Ordercode Sachnr	Contacts Polzahl	Mass / Dimension								
		A	B	C	D	E	F	M	N	P
..-Cx09-+	09	31.19	16.79	25.0 ^{+0.12} / _{-0.13}	8.23	12.93	2.74	7.6	2	7.72
..-Cx15-+	15	39.52	25.12	33.3 ^{+0.15} / _{-0.1}	8.23	12.93	2.74	15.2	4	7.69
..-Cx25-+	25	53.42	38.84	47.04 ^{+0.13} / _{-0.13}	8.23	12.93	2.76	26.6	7	7.65
..-Cx37-+	37	69.7	55.30	63.5 ^{+0.13} / _{-0.13}	8.23	12.93	2.76	41.8	11	7.65

Anforderungsstufe / Performance level ¹⁾

¹⁾ nach DIN 41652 T.2 und T.4
 according to DIN 41652 T.2 and T.4

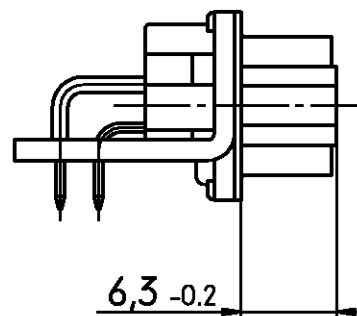
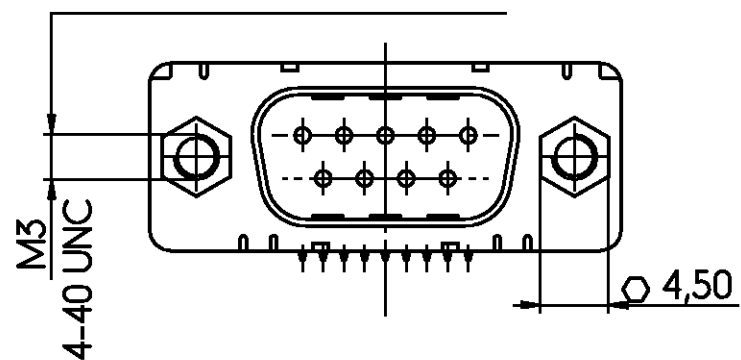
tyco		TYCO ELECTRONICS CORPORATION		SCALE 2:1 (20:1)		WEIGHT	
Electronics		OOSTKAMP - BELGIUM		DIMENSIONS IN MM		MATERIAL	
DATE	31.03.89	PART NAME		Sub-D Lötanschluss Stiftleiste			
NAME	Embo	Einbauhöhe 3.6 mm		D-Sub 90° solderversion pin connector			
DEP.	PD COM	mounting height 3.6 mm		PART NO.			
TOLERANCE UNLESS SPECIFIED OTHERWISE		V23529-B*****-C***-*-7427		SHT. 3+			
A3	see page 1	Customer Drawing Nr. C 2-1393480-1		OF 6			
REV.	CHANGE ORDER	DATE	APP.				

THIS INFORMATION IS CONFIDENTIAL AND PROPRIETARY TO TYCO ELECTRONICS CORPORATION AND ITS WORLDWIDE
 SUBSIDIARIES AND AFFILIATES. IT MAY NOT BE DISCLOSED TO ANYONE, OTHER THAN TYCO ELECTRONICS PERSONNEL,
 WITHOUT WRITTEN AUTHORIZATION FROM TYCO ELECTRONICS CORPORATION, HARRISBURG PENNSYLVANIA USA

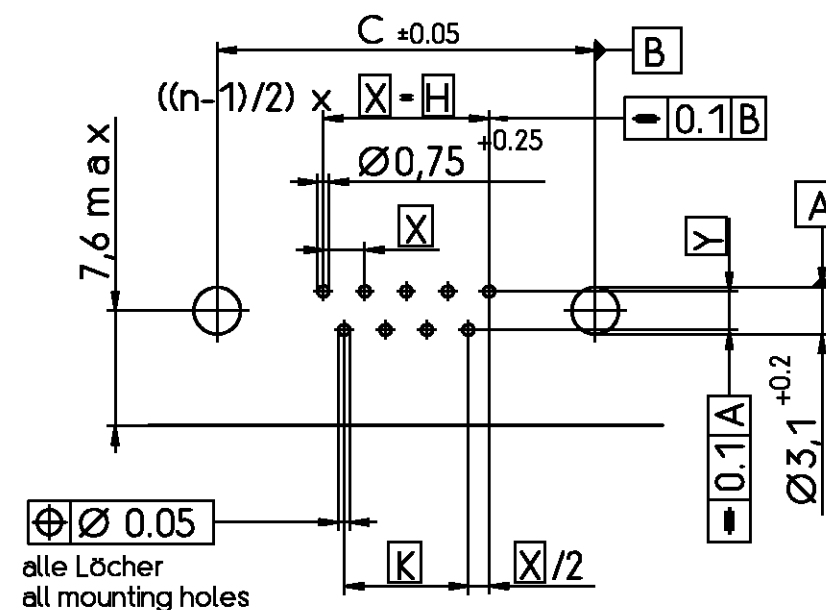
PROPRIETARY:

mit Gewindebolzen : M3 V23529-B50x4-Cxxx-+
 with threadlock 4-40 UNC V23529-B50x5-Cxxx-+

Verdrehsicherheit \geq 70 Ncm
 torsionresistance

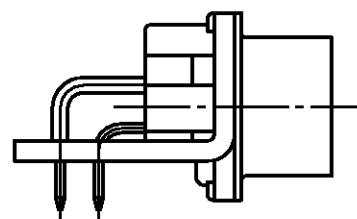
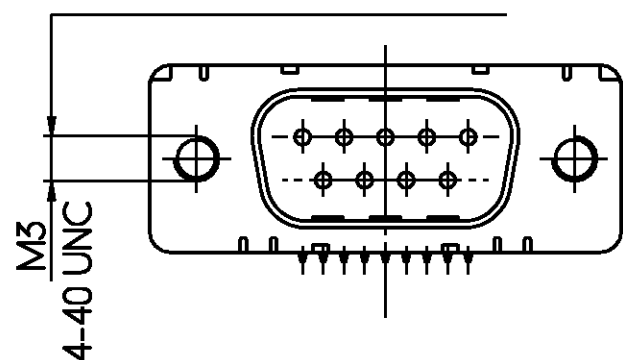


Leiterplattenbohrung
 PCB hole pattern



mit Gewinde : M3 V23529-B50x2-Cxxx-+
 with thread 4-40 UNC V23529-B50x3-Cxxx-+

Verdrehsicherheit \geq 70 Ncm
 torsionresistance



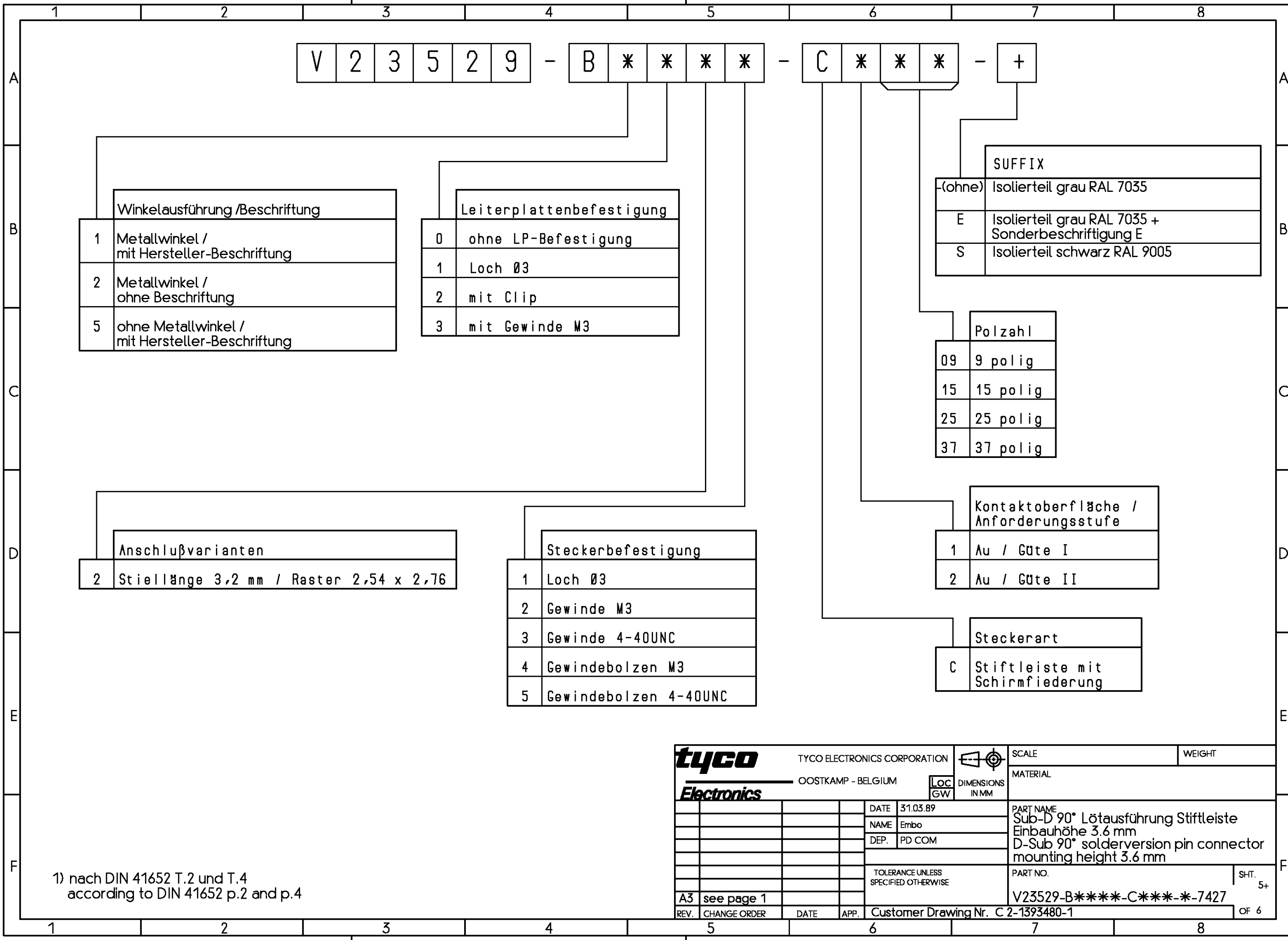
Mass Dimension	Polzahl n Number of contacts n			
	9	15	25	37
C	25	33.3	47.04	63.5
H	10.96	19.18	33.12	49.68
K	8.22	16.44	30.36	46.92
X	2.74	2.74	2.76	2.76
Y	2.54			

1) nach DIN 41652 T.2 und T.4
 according to DIN 41652 T.2 and T.4

tyco TYCO ELECTRONICS CORPORATION		SCALE 2:1		WEIGHT
OOSTKAMP - BELGIUM		LOC GW	DIMENSIONS IN MM	
DATE	31.03.89	PART NAME		
NAME	Embo	Sub-D 90° LötAusführung Stiftleiste		
DEP.	PD COM	Einbauhöhe 3.6 mm		
		D-Sub 90° solderversion pin connector		
		mounting height 3.6 mm		
		TOLERANCE UNLESS SPECIFIED OTHERWISE		PART NO.
				V23529-B*****-C***-*-7427
A3	see page 1			SHT. 4+
REV.	CHANGE ORDER	DATE	APP.	Customer Drawing Nr. C 2-1393480-1
				OF 6

THIS INFORMATION IS CONFIDENTIAL AND PROPRIETARY TO TYCO ELECTRONICS CORPORATION AND ITS WORLDWIDE
 SUBSIDIARIES AND AFFILIATES. IT MAY NOT BE DISCLOSED TO ANYONE, OTHER THAN TYCO ELECTRONICS PERSONNEL,
 WITHOUT WRITTEN AUTHORIZATION FROM TYCO ELECTRONICS CORPORATION, HARRISBURG PENNSYLVANIA USA

PROPRIETARY:



1) nach DIN 41652 T.2 und T.4
 according to DIN 41652 p.2 and p.4

tyco		TYCO ELECTRONICS CORPORATION				SCALE	WEIGHT
Electronics		OOSTKAMP - BELGIUM		Loc GW		DIMENSIONS IN MM	
DATE	31.03.89	PART NAME		Sub-D 90° Löt Ausführung Stiftleiste			
NAME	Embo	Einbauhöhe 3.6 mm		D-Sub 90° solderversion pin connector			
DEP.	PD COM	mounting height 3.6 mm		PART NO.			
TOLERANCE UNLESS SPECIFIED OTHERWISE		V23529-B****-C***-*-7427		SHT.		5+	
REV.	A3 see page 1	Customer Drawing Nr. C 2-1393480-1		OF		6	

Active part numbers. Contact Tyco Electronics for other configuration availability

Old Part Number	Tyco Part Number
V23529-B1121-C209	2-1393480-1
V23529-B1121-C215	2-1393480-2
V23529-B1121-C225	2-1393480-3
V23529-B1121-C237	2-1393480-4
V23529-B1122-C209	3-1393480-2
V23529-B1122-C215	3-1393480-3
V23529-B1122-C225	2-1392010-8
V23529-B1122-C237	3-1392010-6
V23529-B1123-C209	4-1393480-0
V23529-B1123-C215	4-1393480-1
V23529-B1123-C225	4-1393480-2
V23529-B1123-C237	4-1393480-3
V23529-B1125-C125	5-1393480-1
V23529-B1125-C209	5-1393480-2
V23529-B1125-C215	5-1393480-3
V23529-B1125-C225	5-1393480-4
V23529-B1125-C237	3-1392010-5
V23529-B1221-C109	5-1393480-8
V23529-B1221-C209	5-1393480-9
V23529-B1221-C215	6-1393480-0
V23529-B1222-C209	7-1393480-4
V23529-B1222-C215	7-1393480-5
V23529-B1222-C225	7-1393480-6
V23529-B1222-C237	7-1393480-7
V23529-B1223-C209	8-1393480-5
V23529-B1223-C215	8-1393480-6
V23529-B1223-C225	8-1393480-7
V23529-B1223-C237	8-1393480-8
V23529-B1224-C209	9-1393480-4
V23529-B1224-C215	9-1393480-5
V23529-B1224-C225	9-1393480-6
V23529-B1225-C109	1393481-4
V23529-B1225-C209	1393481-5
V23529-B1225-C215	3-1392010-3
V23529-B1225-C225	1393481-6
V23529-B1225-C237	3-1392010-4
V23529-B2121-C209	1-1393481-0
V23529-B2221-C209	1-1393481-2

1) nach DIN 41652 T.2 und T.4 according to DIN 41652 p.2 and p.4

tyco Tyco Electronics Corporation				SCALE	WEIGHT
Oostkamp - Belgium		LOC DIMENSIONS IN MM		MATERIAL	
DATE	31.03.89			PART NAME	
NAME	Embo			Sub-D 90° Lötanschluss Stiflleiste	
DEP.	PD COM			Einbauhöhe 3.6 mm	
				D-Sub 90° solder version pin connector	
				mounting height 3.6 mm	
				PART NO.	
				V23529-B***-C***-7427	
				SHT. 6-	
				OF 6	
REV. CHANGE ORDER	DATE	APP.	Customer Drawing Nr. C 2-1393480-1		
1			2	3	4

PROPRIETARY:

THIS INFORMATION IS CONFIDENTIAL AND PROPRIETARY TO TYCO ELECTRONICS CORPORATION AND ITS WORLDWIDE SUBSIDIARIES AND AFFILIATES. IT MAY NOT BE DISCLOSED TO ANYONE, OTHER THAN TYCO ELECTRONICS PERSONNEL, WITHOUT WRITTEN AUTHORIZATION FROM TYCO ELECTRONICS CORPORATION, HARRISBURG, PENNSYLVANIA USA.