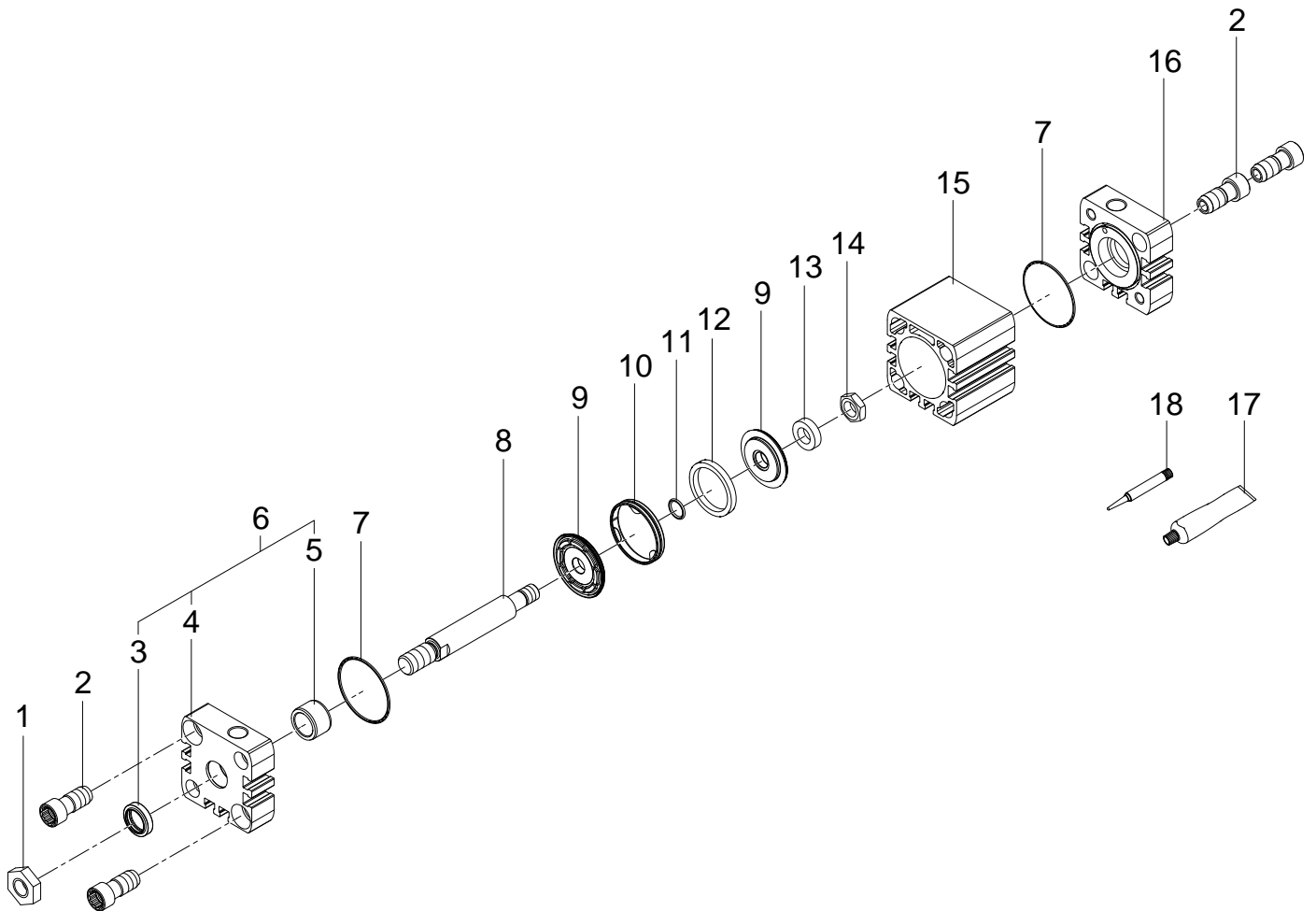


536310 ADN-50-5-A-P-A Compact cylinder - Series: All



## 536310 ADN-50-5-A-P-A Compact cylinder - Series: All

Pos.	Part no.	Type	Note	Qty.	Unit
A	673625	ADN-50-P-A Set of wearing parts	Spare parts: 3, 7, 9, 10, 11, 17, 18 <a href="#">▶ Replacing the wearing parts</a>	1	PC
1	203968	DIN 439-B-M12X1,25-04 Hex nut		1	PC
2	658857	ADN-50/63 flange screw	Tightening torque 35 Nm / 25.8 lbf ft Use locking compound. See position 18	4	PC
3	369543	WIFC1-16X20,5X4-TPE-U Wiper seal	Grease using during assembly. See position 17	1	PC
4		ADN-50 Bearing cap	Not available separately, see position 6	1	PC
5		ADN-50/63 Bearing	Not available separately, see position 6	1	PC
6	1440823	ADN-50 Bearing cap module		1	PC
7		B-50X1,2-N-NBR70 O-ring ISO3601	Not available separately, see position A Grease using during assembly. See position 17	2	PC
8	683597	ADN-50- - Piston rod	When ordering please specify the configuration (see type plate)	1	PC
9		BA-K01D-050-PDF Sealing piston	Not available separately, see position A	2	PC
10		BA-K01F-050 Guiding band	Not available separately, see position A	1	PC
11		B-11,5X1,5-N-NBR75 O-ring ISO3601	Not available separately, see position A Grease using during assembly. See position 17	1	PC
12	358739	46,6X38,2X4,6BA-K01M-050 Ring magnet		1	PC
13	356376	13X20X4-1.0715 Ring		1	PC
14	203968	DIN 439-B-M12X1,25-04 Hex nut	Tightening torque 30 Nm / 22.1 lbf ft Use locking compound Loctite 270	1	PC
15		ADN-50-X- Cylinder barrel	Not available	1	PC
16	1305676	ADN-50 End cap		1	PC
17	684474	LUB-KC1 SILIKONFREI 20ML Lubricating grease		1	PC
18	8181256	CYBERBOND TM44 TB1ML Adhesive bonding agent		1	PC