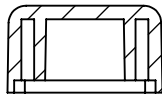


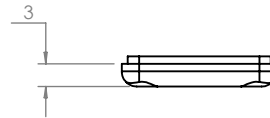
OVERALL ASSEMBLY DIMENSIONS:

EXTERNAL - 41.75 x 20.5 x 14.5

INTERNAL - 38.25 x 17 x 8.8



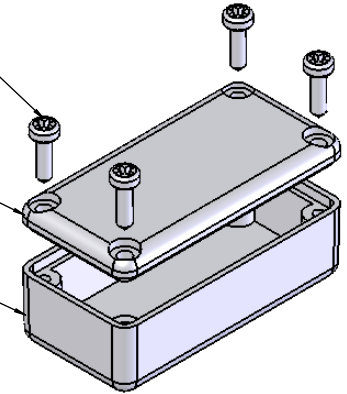
SECTION B-B



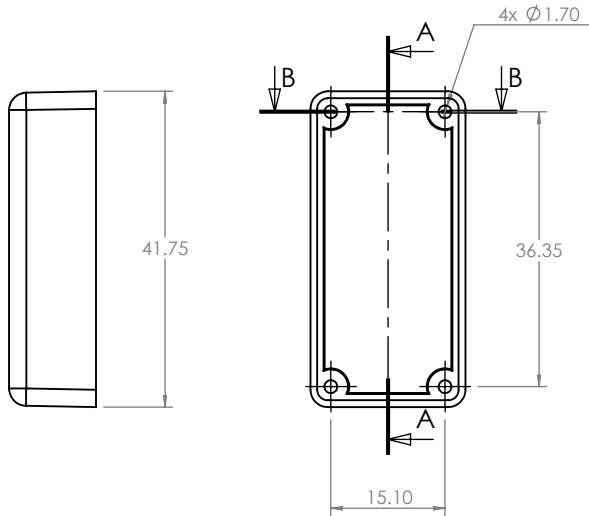
SELF TAPPING SCREW

LID

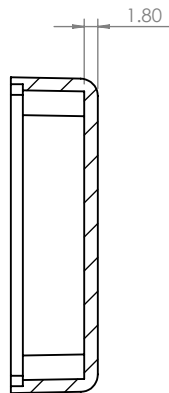
BASE



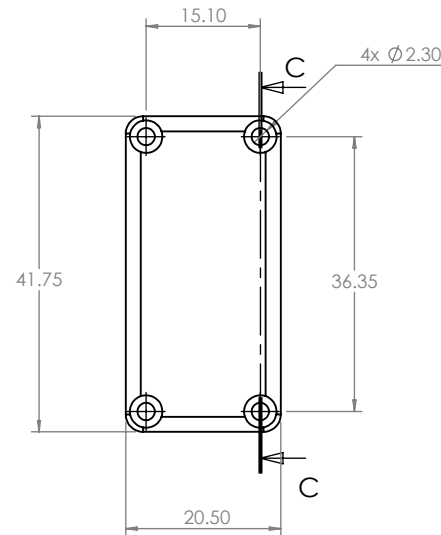
ISO VIEW
1:1



BASE

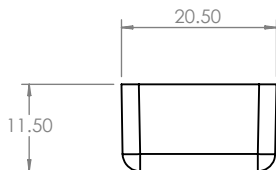


SECTION A-A



SECTION C-C

LID



CAMDENBOSS
ELECTRONICS & ENCLOSURES

JAMES CARTER RD, MILDENHALL, SUFFOLK, IP28 7DE
TEL: 01 638 716101 FAX: 01 638 716554
EMAIL: SALES@CAMDENBOSS.COM
WEB: WWW.CAMDENBOSS.COM

FINISH:
LIGHT SPARK

MATERIAL:
ABS

PROJECTION.

UNLESS OTHERWISE SPECIFIED:
DIMENSIONS ARE IN MILLIMETERS

DO NOT SCALE DRAWING

REVISION. O

TITLE:

ASSEMBLY DRG FOR RX2KL04

DWG NO.

RX2KL04

A4

SCALE. 1 : 1

SHEET 1 OF 1

	NAME	SIGNED	DATE
DRAWN	S.HARDINGE	SJH	12/03/07
CHKD	-	-	-