

Direct Air Operated 2 Port Valve Series VXA21/22

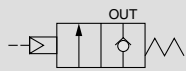
For Air, Water, Oil



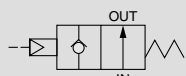
Single Unit

Valve

Normally closed (N.C.)



Normally open (N.O.)



Material

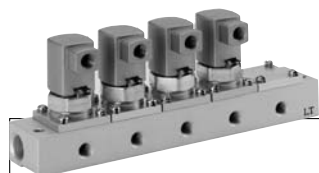
Body — Brass (C37), Stainless steel
Seal — NBR, FKM, EPDM

Pilot port (Free take off direction)

Port size — Rc 1/8
Pilot pressure — 0.25 to 0.7 MPa

Model

Model	Port size Rc	Orifice dia. (mmø)
VXA212 $\frac{3}{8}$	1/8, 1/4	3
VXA213 $\frac{3}{8}$	1/8, 1/4	4.5
VXA223 $\frac{3}{8}$	1/4, 3/8	4.5
VXA224 $\frac{3}{8}$	1/4, 3/8	6
VXA225 $\frac{3}{8}$	1/4, 3/8	8
VXA226 $\frac{3}{8}$	1/4, 3/8, 1/2	10

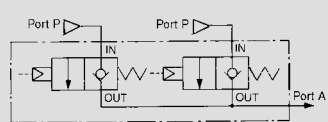
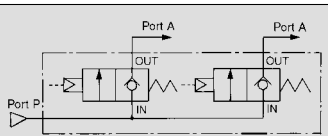


Manifold

Valve

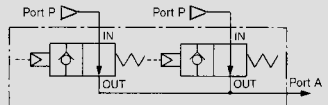
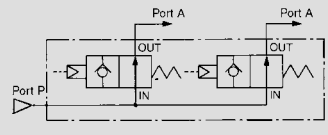
Normally closed (N.C.)

Common SUP type
Individual SUP type



Normally open (N.O.)

Common SUP type
Individual SUP type



Manifold

Manifold system — B mount
Manifold station — 2 to 10 station

Material

Base — AL
Body — Zn
Seal — NBR, FKM, EPDM

Model

Manifold base	Individual port Rc	Common port Rc
VVXA211-station	1/8	3/8
VVXA212-station	1/4	
VVXA221-station	1/8	3/8
VVXA222-station	1/4	

VX2

VXD

VXZ

VXE

VXP

VXR

VXH

VXF

VX3

VXA

VCH□

VDW

VQ

LVM

VCA

VCB

VCL

VCS

VCW

Common Specifications

Standard Specifications


Valve specifications	Type		Single Unit	Manifold
	Valve construction		Pilot operated poppet	
	Withstand pressure	MPa	1.5	
	Body material		Brass (C37), Stainless steel	Zn
	Seal material		NBR, FKM, EPDM	NBR, FKM, EPDM

Contents

For Air /Single Unit	P.208
For Air /Manifold	P.210
For Water /Single Unit	P.212
For Oil /Single Unit	P.214
For Oil /Manifold	P.216
Construction: Single Unit	P.218
Construction: Manifold	P.219
Dimensions: Single Unit	P.220
Dimensions: Manifold	P.221

Applicable Fluid Check List

Direct Air Operated 2 Port Valve Series VXA21/22


All Options (Single Unit)  Refer to pages 208, 212, and 214 for specifications and models.



VXA2 ⁰/₂ - - 1 -

• Option symbol

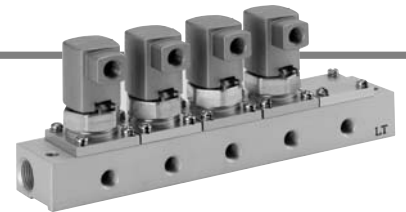
Fluid and application	Option symbol	Seal material	Body material	Holder material (drive part)
Air	Nil	NBR	Brass (C37)	PPS
	G		Stainless steel	
Medium vacuum (0.1 Pa-abs), Non-leak ^{Note 1)}	V ^{Note 2)}	FKM	Brass (C37)	
	M ^{Note 2)}		Stainless steel	
Water	Nil	NBR	Brass (C37)	
	G		Stainless steel	
Oil ^{Note 3)}	A	FKM	Brass (C37)	
	H		Stainless steel	
Other combination	B	EPDM	Brass (C37)	
	J		Stainless steel	

All Options (Manifold)  Refer to pages 210 and 216 for specifications and models.

VXA2 ¹/₃ - 00 - 1

• Option symbol

Fluid and application	Option symbol	Seal material	Body material	Holder material (drive part)
Air	Nil	NBR	Zn	PPS
Medium vacuum, Non-leak ^{Note 1)}	V ^{Note 2)}	FKM		
Oil ^{Note 3)}	A	FKM		
Other combination	B	EPDM		



Note 1) The leakage amount (10^{-6} Pa·m³/s) of "V" options are values when differential pressure is 0.1 MPa.

Note 2) Use grease for vacuums on sliding parts. Use silicon grease elsewhere.

Note 3) The dynamic viscosity of the fluid must not exceed 50 mm²/s or less.

* If using for other fluids, please consult with SMC.

VX2

VXD

VXZ

VXE

VXP

VXR

VXH

VXF

VX3

VXA

VCH

VDW

VQ

LVM

VCA

VCB

VCL

VCS

VCW

Series VXA21/22

For Air /Single Unit

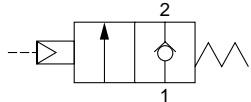
(Inert gas, Non-leak, Medium vacuum)

Model/Valve Specifications

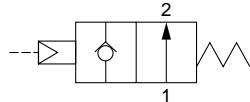
N.C.

N.O.

Passage symbol



Passage symbol



Model/Valve

Port size	Orifice diameter (mmø)	Model	Max. operating pressure differential (MPa)	Pilot pressure (MPa)	Flow characteristics			Max. system pressure (MPa)	Proof pressure (MPa)	Mass (g)			
					Air								
					C[dm ³ /(s·bar)]	b	Cv						
1/8 (6A)	3	VXA212 $\frac{1}{2}$	1.0	0.25 to 0.7	1.3	0.50	0.38	1.0	1.5	170			
	4.5	VXA213 $\frac{1}{2}$	0.5		2.3	0.45	0.70						
1/4 (8A)	3	VXA212 $\frac{1}{2}$	1.0		1.3	0.50	0.38				0.4	1.5	250
	4.5	VXA213 $\frac{1}{2}$	0.5		2.5	0.45	0.75						
	6	VXA224 $\frac{1}{2}$	0.6		3.3	0.50	1.1				1.0	1.5	340
	8	VXA225 $\frac{1}{2}$	0.2		6.4	0.40	1.8						
	10	VXA226 $\frac{1}{2}$	0.1		8.8	0.40	2.3						
	4.5	VXA223 $\frac{1}{2}$	1.0		2.5	0.45	0.75						
3/8 (10A)	6	VXA224 $\frac{1}{2}$	0.6		3.3	0.50	1.1	0.4	1.5	250			
	8	VXA225 $\frac{1}{2}$	0.2		6.4	0.40	1.8						
	10	VXA226 $\frac{1}{2}$	0.1		11.0	0.38	2.8	1.0	1.5	340			
	1/2 (15A)	10	VXA226 $\frac{1}{2}$		0.1	11.0	0.38				2.8		



• Refer to "Glossary of Terms" on page 26 for details on the max. operating pressure differential and the max. system pressure.

Fluid and Ambient Temperature

Fluid temperature (°C)		Ambient temperature (°C)
Valve option symbol		
Nil, Others	V, M	-5 to 40
-5 ^{Note} to 60	-5 ^{Note} to 40	



Note) Dew point temperature: -5°C or less

Valve Leakage Rate

Internal Leakage

Seal material	Leakage rate	
	Air	Non-leak, ^{Note} Medium vacuum
NBR, EPDM, FKM	1 cm ³ /min or less	10 ⁻⁶ Pa·m ³ /sec or less

External Leakage

Seal material	Leakage rate	
	Air	Non-leak, ^{Note} Medium vacuum
NBR, EPDM, FKM	1 cm ³ /min or less	10 ⁻⁶ Pa·m ³ /sec or less



Note) Value for option "V", "M" (Non-leak, Medium vacuum)

How to Order (Single Unit)

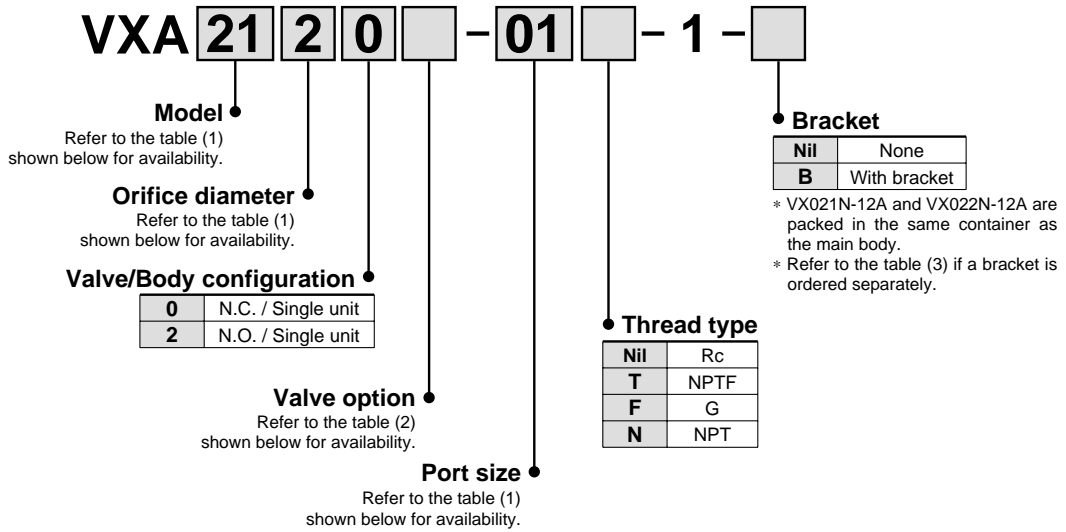


Table (1) Model/Orifice Diameter/Port Size

Solenoid valve (Port size)		Orifice symbol (Diameter)					
Model	VXA21	VXA22	2 (3 mmø)	3 (4.5 mmø)	4 (6 mmø)	5 (8 mmø)	6 (10 mmø)
Port no. (Port size)	01 (1/8)	—	●	●	—	—	—
	02 (1/4)	—	●	●	—	—	—
	—	02 (1/4)	—	●	●	●	●
	—	03 (3/8)	—	●	●	●	●
	—	04 (1/2)	—	—	—	—	●

Table (3) Bracket Part No.

Model	Part no.
VXA21 ²⁰ ₃₂	VX021N-12A
VXA22 ³⁰ ₄₂	VX022N-12A
VXA22 ⁵⁰ ₆₂	VX023N-12A-L

Table (2) Valve Option

Option symbol	Seal material	Body material	Holder material	Note
Nil	NBR	Brass (C37)	PPS	—
G		Stainless steel		
V ^{Note)}	FKM	Brass (C37)		Non-leak (10 ⁻⁶ Pam ³ /sec), Medium vacuum (0.1 Pa.abs)
M ^{Note)}		Stainless steel		

Note) Use grease for vacuums on sliding parts. Use silicon grease elsewhere.

VX2

VXD

VXZ

VXE

VXP

VXR

VXH

VXF

VX3

VXA

VCH□

VDW

VQ

LVM

VCA

VCB

VCL

VCS

VCW

Series VVXA21/22

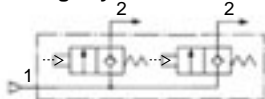
For Air /Manifold

(Inert gas, Non-leak, Medium vacuum)

Model for Manifold/Valve Specifications

N.C.

Passage symbol



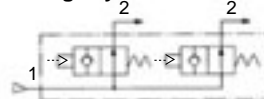
Common SUP type



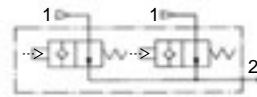
Individual SUP type

N.O.

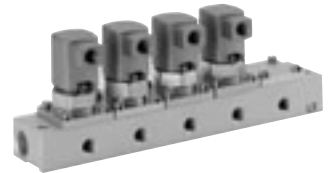
Passage symbol



Common SUP type



Individual SUP type



Model for Manifold/Valve Specifications

Orifice diameter (mmø)	Model	Max. operating pressure differential (MPa)	Pilot pressure (MPa)	Flow characteristics			Max. system pressure (MPa)	Proof pressure (MPa)	Note) Mass (g)
				Air					
				C[dm ³ /(s·bar)]	b	Cv			
3	VXA212 $\frac{1}{2}$ -00	1.0	0.25 to 0.7	1.3	0.50	0.38	1.0	1.5	120
4.5	VXA213 $\frac{1}{2}$ -00	0.5		2.3	0.45	0.70			
	VXA223 $\frac{1}{2}$ -00	1.0		3.3	0.50	1.1			160
6	VXA224 $\frac{1}{2}$ -00	0.6							



• Refer to "Glossary of Terms" on page 26 for details on the max. operating pressure differential and the max. system pressure.

Fluid and Ambient Temperature

Fluid temperature (°C)		Ambient temperature (°C)
Solenoid valve option symbol		
Nil, A, B	V	-5 to 40
-5 Note) to 60	-5 Note) to 40	



Note) Dew point temperature: -5°C or less

Valve Leakage Rate

Internal Leakage

Seal material	Leakage rate	
	Air	Non-leak, Note) Medium vacuum
NBR, EPDM, FKM	1 cm ³ /min or less	10 ⁻⁶ Pa·m ³ /sec or less

External Leakage

Seal material	Leakage rate	
	Air	Non-leak, Note) Medium vacuum
NBR, EPDM, FKM	1 cm ³ /min or less	10 ⁻⁶ Pa·m ³ /sec or less



Note) Value for option "V" (Non-leak, Medium vacuum)

How to Order (Valve for Manifold)

VXA **21** **2** **1** **□** - 00 - 1

- Model**
Refer to the table (1) shown below for availability.
- Orifice diameter**
Refer to the table (1) shown below for availability.
- Valve option**
Refer to the table (2) shown below for availability.
- Valve/Body configuration**

1	N.C. (For manifold)
3	N.O. (For manifold)

How to Order Manifold Bases

VVXA21
VVXA22 **1** **□** - **07** - 1

- Number of manifolds**
- Port size (Individual port)**
- Base**
- Manifold base**

02	2 stations
⋮	⋮
10	10 stations

1	Rc 1/8
2	Rc 1/4

* All IN ports are Rc 3/8.

Nil	Common SUP type
V	Individual SUP type

Blanking plate part no.

For VXA21: VX011-001 **□**
 For VXA22: VX011-006 **□**

Seal material

N	NBR
F	FKM
E	EPDM

Table (1) Model/Orifice Diameter

Solenoid valve	Orifice symbol (Diameter)		
	2 (3 mmø)	3 (4.5 mmø)	4 (6 mmø)
VXA21	●	●	—
VXA22	—	●	●

Table (2) Valve Option

Option symbol	Body material	Base material	Seal material	Holder material	Note
Nil	Zn	AL	NBR	PPS	—
A			FKM		
B			EPDM		
V ^{Note)}			FKM		
					Non-leak (10 ⁻⁶ Pam ³ /sec), Medium vacuum (0.1 Pa.abs)

Note) Use grease for vacuums on sliding parts. Use silicon grease elsewhere.

How to Order Manifold

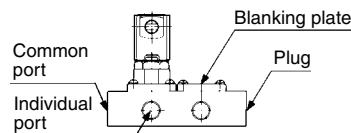
Write both the base part number and the solenoid valve to be mounted or blanking plate part number.

(Example) 7 stations of VXA21 common pressure, individual port Rc 1/8.

(Base) VVXA211-07-1.....1 pc.
 (Valve) * VXA2121-00-1.....6 pcs.
 (Blanking plate) * VX011-001N.....1 pc.

" is the symbol for mounting. When shipping mounted on a base, add an "" in front of the valve and blanking plate model.

Arrangement of solenoid valves



The standard arrangement of manifolds should be placed on an individual port on this side, each solenoid valve from the left side and a blank plate in the right side. The right side of the common port provides plug.

VX2

VXD

VXZ

VXE

VXP

VXR

VXH

VXF

VX3

VXA

VCH

VDW

VQ

LVM

VCA

VCB

VCL

VCS

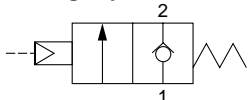
VCW

For Water /Single Unit

Model/Valve Specifications

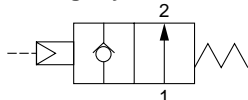
N.C.

Passage symbol



N.O.

Passage symbol



Model/Valve Specifications

Port size	Orifice diameter (mmø)	Model	Pilot pressure (MPa)	Max. operating pressure differential (MPa)	Flow characteristics		Max. system pressure (MPa)	Proof pressure (MPa)	Mass (g)			
					Water							
				Av x 10 ⁻⁶ m ²	Cv converted							
1/8 (6A)	3	VXA212½	0.25 to 0.7	1.0	7.9	0.33	1.0	1.5	170			
	4.5	VXA213½		0.5	15	0.61						
1/4 (8A)	3	VXA212½		1.0	7.9	0.33				0.4	250	340
	4.5	VXA213½		0.5	15	0.61						
		VXA223½		1.0								
	6	VXA224½		0.6	26	1.1				1.0	250	340
	8	VXA225½		0.2	41	1.7						
	10	VXA226½		0.1	46	1.9						
3/8 (10A)	4.5	VXA223½		1.0	15	0.61	0.4	420				
	6	VXA224½		0.6	26	1.1						
	8	VXA225½		0.2	41	1.7						
	10	VXA226½		0.1	58	2.4						
1/2 (15A)	10	VXA226½	0.1	58	2.4							



• Refer to "Glossary of Terms" on page 26 for details on the max. operating pressure differential and the max. system pressure.

Fluid and Ambient Temperature

Fluid temperature (°C)	Ambient temperature (°C)
Valve option symbol	
Nil, G, B, J	-5 to 40
1 to 40	



Note) With no freezing

Valve Leakage Rate

Internal Leakage

Seal material	Leakage rate (Water)
NBR, EPDM	0.1 cm ³ /min or less

External Leakage

Seal material	Leakage rate (Water)
NBR, EPDM	0.1 cm ³ /min or less

How to Order (Single Unit)

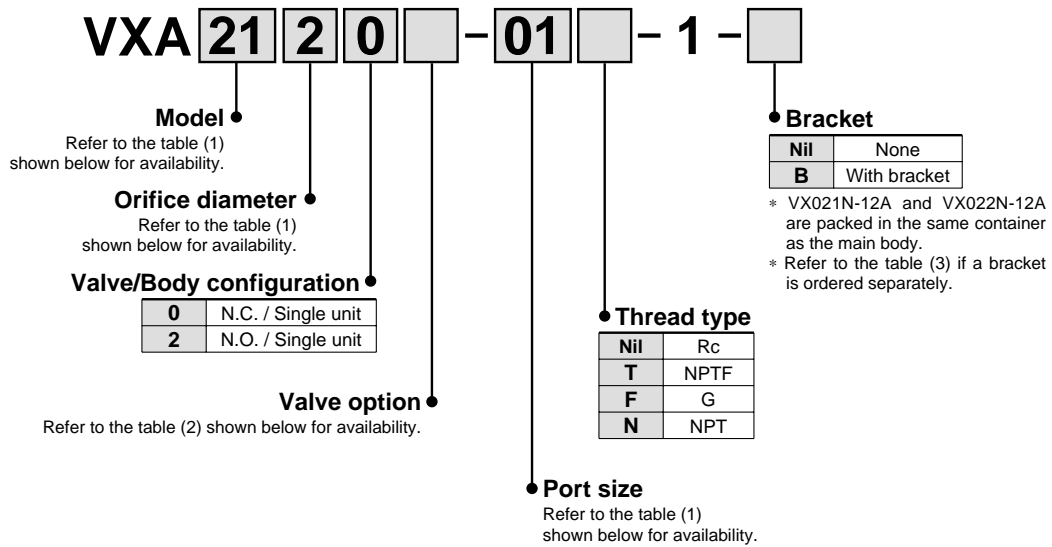


Table (1) Model/Orifice Diameter/Port Size

Model	Valve (Port size)		Orifice symbol (Diameter)				
	VX21	VX22	2 (3 mmø)	3 (4.5 mmø)	4 (6 mmø)	5 (8 mmø)	6 (10 mmø)
Port no. (Port size)	01 (1/8)	—	●	●	—	—	—
	02 (1/4)	—	●	●	—	—	—
	—	02 (1/4)	—	●	●	●	●
	—	03 (3/8)	—	●	●	●	●
	—	04 (1/2)	—	—	—	—	●

Table (2) Valve Option

Option symbol	Seal material	Body material	Holder material	Note
Nil	NBR	Brass (C37)	PPS	—
G		Stainless steel		
B	EPDM	Brass (C37)		
J		Stainless steel		

Table (3) Bracket Part No.

Model	Part no.
VX21 ²⁰ ₃₂	VX021N-12A
VX22 ³⁰ ₄₂	VX022N-12A
VX22 ⁵⁰ ₆₂	VX023N-12A-L

VX2

VXD

VXZ

VXE

VXP

VXR

VXH

VXF

VX3

VXA

VCH □

VDW

VQ

LVM

VCA

VCB

VCL

VCS

VCW

Series VXA21/22

For Oil/Single Unit

Model/Valve Specifications

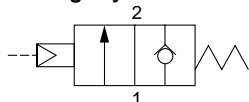
⚠ When the fluid is oil.

The dynamic viscosity of the fluid must not exceed 500 mm²/s.

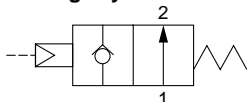
N.C.

N.O.

Passage symbol



Passage symbol



Model/Valve Specifications

Port size	Orifice diameter (mmø)	Model	Max. operating pressure differential (MPa)	Pilot pressure (MPa)	Flow characteristics		Max. system pressure (MPa)	Proof pressure (MPa)	Mass (g)
					Oil				
					Av x 10 ⁻⁶ m ²	Cv converted			
1/8 (6A)	3	VXA212 $\frac{1}{2}$	1.0	0.25 to 0.7	7.9	0.33	1.0	1.5	170
	4.5	VXA213 $\frac{1}{2}$	0.5		15	0.61			
1/4 (8A)	3	VXA212 $\frac{1}{2}$	1.0		7.9	0.33			
	4.5	VXA213 $\frac{1}{2}$	0.5		15	0.61			
		VXA223 $\frac{1}{2}$	1.0		26	1.1			
	6	VXA224 $\frac{1}{2}$	0.6		41	1.7			
	8	VXA225 $\frac{1}{2}$	0.2		46	1.9			
	10	VXA226 $\frac{1}{2}$	0.1		58	2.4			
3/8 (10A)	4.5	VXA223 $\frac{1}{2}$	1.0		15	0.61	1.0	250	
	6	VXA224 $\frac{1}{2}$	0.6		26	1.1			
	8	VXA225 $\frac{1}{2}$	0.2		41	1.7	0.4		340
	10	VXA226 $\frac{1}{2}$	0.1		58	2.4			
1/2 (15A)	10	VXA226 $\frac{1}{2}$	0.1		58	2.4	0.4	420	



• Refer to "Glossary of Terms" on page 26 for details on the max. operating pressure differential and the max. system pressure.

Fluid and Ambient Temperature

Fluid temperature (°C)	Ambient temperature (°C)
Valve option symbol	
A, H	-5 to 40
-5 ^{Note)} to 40	



Note) Dynamic viscosity: 500 mm²/s or less

Valve Leakage Rate

Internal Leakage

Seal material	Leakage rate (Oil)
FKM	0.1 cm ³ /min or less

External Leakage

Seal material	Leakage rate (Oil)
FKM	0.1 cm ³ /min or less

How to Order (Single Unit)

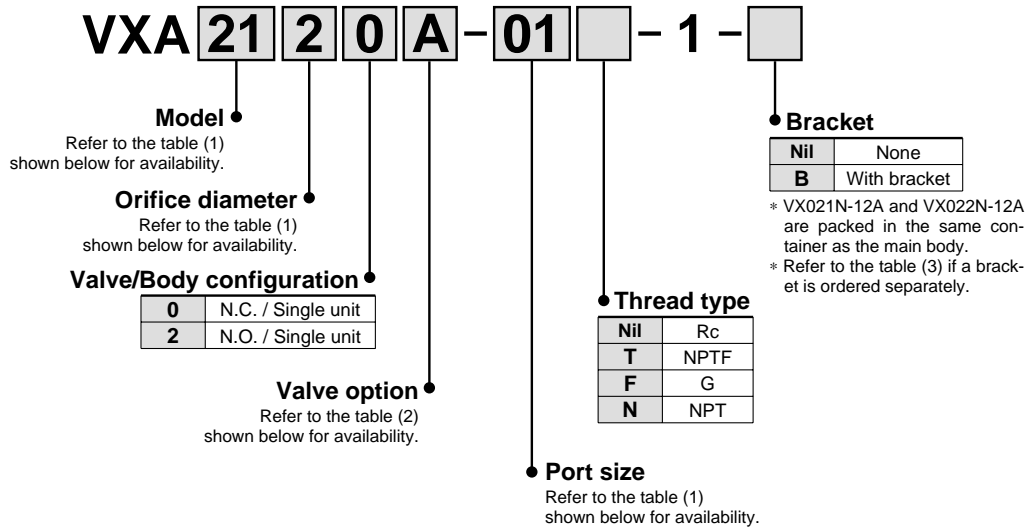


Table (1) Model/Orifice Diameter/Port Size

Solenoid valve (Port size)		Orifice symbol (Diameter)					
Model	VX21	VX22	2 (3 mmø)	3 (4.5 mmø)	4 (6 mmø)	5 (8 mmø)	6 (10 mmø)
Port no. (Port size)	01 (1/8)	—	●	●	—	—	—
	02 (1/4)	—	●	●	—	—	—
	—	02 (1/4)	—	●	●	●	●
	—	03 (3/8)	—	●	●	●	●
—	04 (1/2)	—	—	—	—	●	

Table (2) Valve Option

Option symbol	Seal material	Body material	Holder material
A	FKM	Brass (C37)	PPS
H		Stainless steel	

The additives contained in oil are different depending on the type and manufacturers, so the durability of seal materials will vary. For details, please consult with SMC.

Table (3) Bracket Part No.

Model	Part no.
VX21 ²⁰ ₃₂	VX021N-12A
VX22 ³⁰ ₄₂	VX022N-12A
VX22 ³⁰ ₆₂	VX023N-12A-L

VX2

VXD

VXZ

VXE

VXP

VXR

VXH

VXF

VX3

VXA

VCH□

VDW

VQ

LVM

VCA

VCB

VCL

VCS

VCW

For Oil/Manifold

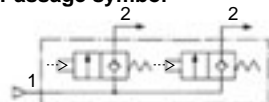
⚠ When the fluid is oil.

The dynamic viscosity of the fluid must not exceed 500 mm²/s.

Valve for Manifold/Valve Specifications

N.C.

Passage symbol



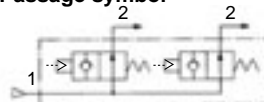
Common SUP type



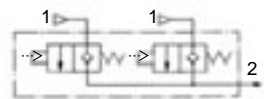
Individual SUP type

N.O.

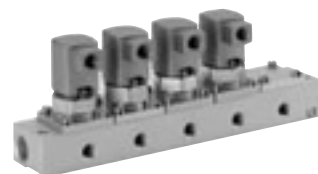
Passage symbol



Common SUP type



Individual SUP type



Valve for Manifold/Valve Specifications

Orifice diameter (mmø)	Model	Max. operating pressure differential (MPa)	Pilot pressure (MPa)	Flow characteristics		Max. system pressure (MPa)	Proof pressure (MPa)	(Note) Mass (g)
				Air				
				Av x 10 ⁻⁶ m ²	Cv converted			
3	VXA212 ¹ / ₃ -00	1.0	0.25 to 0.7	7.9	0.33	1.0	1.5	120
4.5	VXA213 ¹ / ₃ -00	0.5		15	0.61			
	VXA223 ¹ / ₃ -00	1.0		26	1.1			
6	VXA224 ¹ / ₃ -00	0.6						



Refer to "Glossary of Terms" on page 26 for details on the max. operating pressure differential and the max. system pressure.

Fluid and Ambient Temperature

Fluid temperature (°C)	Ambient temperature (°C)
Valve option symbol	
A	
-5 (Note) to 40	-5 to 40



Note) Dynamic viscosity: 500 mm²/s or less

Valve Leakage Rate

Internal Leakage

Seal material	Leakage rate
FKM	0.1 cm ³ /min or less

External Leakage

Seal material	Leakage rate
FKM	0.1 cm ³ /min or less

How to Order (Valve for Manifold)

VXA 21 2 1 A - 00 - 1

- **Model**
Refer to the table (1) shown below for availability.
- **Orifice diameter**
Refer to the table (1) shown below for availability.
- **Valve option**
Refer to the table (2) shown below for availability.
- **Valve/Body configuration**

1	N.C. (For manifold)
3	N.O. (For manifold)

How to Order Manifold Bases

VVXA21 VVXA22 1 [] - 07 - 1

- **Port size (Individual port)**

1	Rc 1/8
2	Rc 1/4

* All IN ports are Rc 3/8.
- **Number of manifolds**

02	2 stations
⋮	⋮
10	10 stations
- **Base**

Nil	Common SUP type
V	Individual SUP type

● **Manifold base**

● **Blanking plate part no.**

For VXA21: VX011-001 F
For VXA22: VX011-006 F

● **Seal material**

F	FKM
---	-----

Table (1) Model/Orifice Diameter

Solenoid valve	Orifice symbol (Diameter)		
	2 (3 mmø)	3 (4.5 mmø)	4 (6 mmø)
VXA21	●	●	—
VXA22	—	●	●

Table (2) Valve Option

Option symbol	Body, Base material	Seal material	Holder material	Note
A	Aluminum	FKM	PPS	—

How to Order Manifold

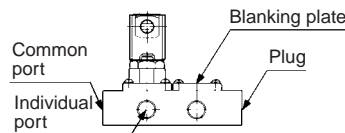
■ **Write both the base part number and the solenoid valve to be mounted or blanking plate part number.**

(Example) 7 stations of VXA21 common pressure, individual port Rc 1/8.

(Base) VVXA211-07-1.....1 pc.
(Valve) * VXA2121-00-1.....6 pcs.
(Blanking plate) * VX011-001F.....1 pc.

" is the symbol for mounting. When shipping mounted on a base, add an "" in front of the valve and blanking plate model.

■ **Arrangement of solenoid valves**



The standard arrangement of manifolds should be placed on an individual port on this side, each solenoid valve from the left side and a blank plate in the right side. The right side of the common port provides plug.

VX2

VXD

VXZ

VXE

VXP

VXR

VXH

VXF

VX3

VXA

VCH□

VDW

VQ

LVM

VCA

VCB

VCL

VCS

VCW

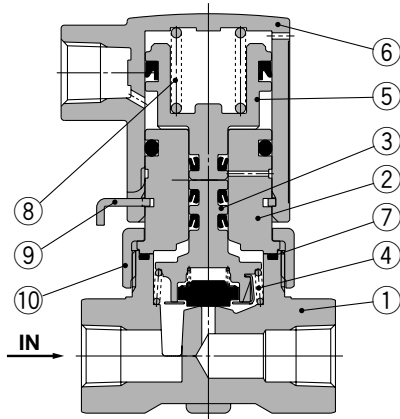
Series VXA21/22

For Air, Water, Oil

Construction: Single Unit

Normally closed (N.C.)

Body material: Brass (C37), Stainless steel



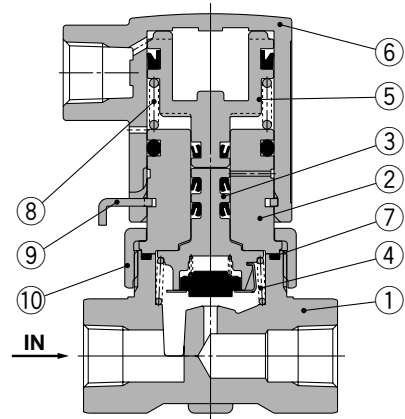
Component Parts

No.	Description	Material	
		Body material Brass (C37) specification	Body material stainless steel specification
1	Body	Brass (C37)	Stainless steel
2	Adapter	C36	Stainless steel
3	Holder assembly	(NBR, FKM, EPDM), Stainless steel, PPS	
4	Return spring	Stainless steel	
5	Piston assembly	(NBR), Polyacetal	
6	Pilot cover	ADC12	
7	O-ring	(NBR, FKM, EPDM)	
8	Piston spring	Stainless steel	
9	Retainer	Stainless steel	
10	Nut	Brass (C37)	Brass (C37), Ni plated

The materials in parentheses are the seal materials.

Normally open (N.O.)

Body material: Brass (C37), Stainless steel



Component Parts

No.	Description	Material	
		Body material Brass (C37) specification	Body material stainless steel specification
1	Body	Brass (C37)	Stainless steel
2	Adapter	C36	Stainless steel
3	Holder assembly	(NBR, FKM, EPDM), Stainless steel, PPS	
4	Return spring	Stainless steel	
5	Piston assembly	(NBR), Polyacetal	
6	Pilot cover	ADC12	
7	O-ring	(NBR, FKM, EPDM)	
8	Piston spring	Stainless steel	
9	Retainer	Stainless steel	
10	Nut	Brass (C37)	Brass (C37), Ni plated

The materials in parentheses are the seal materials.

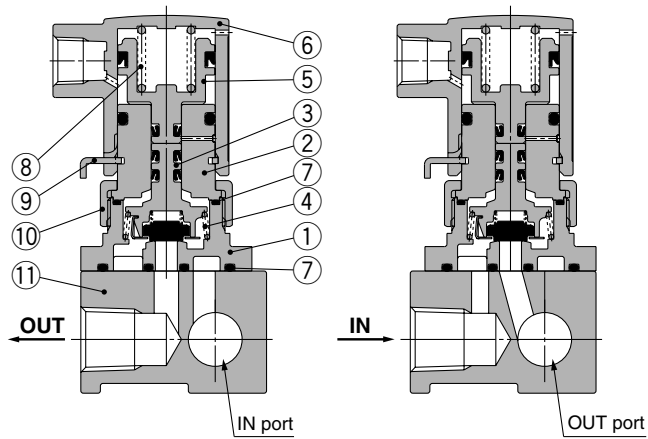
Construction: Manifold

Normally closed (N.C.)

Body material: Zn
Base material: AL

Common SUP type

Individual SUP type



Component Parts

No.	Description	Material
1	Body	Zn
2	Adapter	C36
3	Holder assembly	(NBR, FKM, EPDM), Stainless steel, PPS
4	Return spring	Stainless steel
5	Piston assembly	NBR, Polyacetal
6	Pilot cover	ADC12
7	O-ring	(NBR, FKM, EPDM)
8	Piston spring	Stainless steel
9	Retainer	Stainless steel
10	Nut	Brass (C37)
11	Base	Aluminum

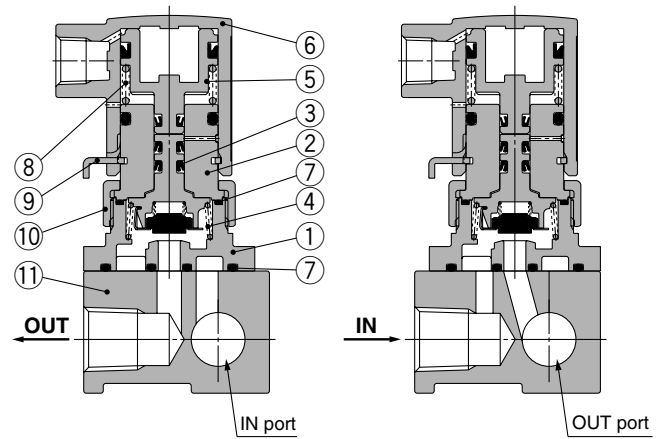
The materials in parentheses are the seal materials.

Normally open (N.O.)

Body material: Zn
Base material: AL

Common SUP type

Individual SUP type



Component Parts

No.	Description	Material
1	Body	Zn
2	Adapter	C36
3	Holder assembly	(NBR, FKM, EPDM), Stainless steel, PPS
4	Return spring	Stainless steel
5	Piston assembly	NBR, Polyacetal
6	Pilot cover	ADC12
7	O-ring	(NBR, FKM, EPDM)
8	Piston spring	Stainless steel
9	Retainer	Stainless steel
10	Nut	Brass (C37)
11	Base	Aluminum

The materials in parentheses are the seal materials.

VX2

VXD

VXZ

VXE

VXP

VXR

VXH

VXF

VX3

VXA

VCH□

VDW

VQ

LVM

VCA

VCB

VCL

VCS

VCW

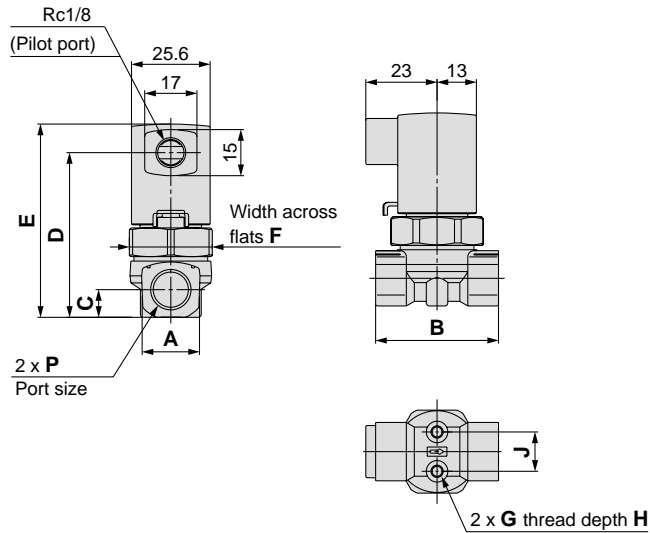
Series VXA21/22

For Air, Vacuum, Water, Oil

Dimensions: Single Unit/Body Material: Brass (C37), Stainless Steel

Normally closed (N.C.): VXA21□0/VXA22□0

Normally open (N.O.): VXA21□2/VXA22□2

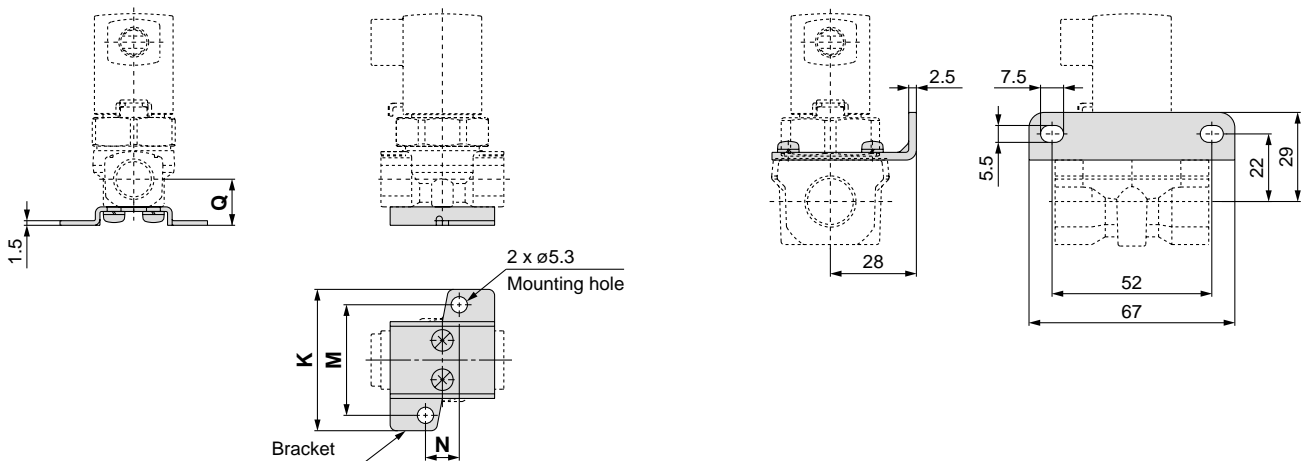


Model		Orifice diameter	Port size P	A	B	C	D	E	F	G	H	J
N.C.	N.O.											
VXA21□0	VXA21□2	ø3, ø4.5	1/8, 1/4	19	40	9	54	63	27	M4	6	12.8
VXA22(3,4)0	VXA22(3,4)2	ø4.5, ø6	1/4, 3/8	22	45	10.5	60	69	32	M5	8	19
VXA22(5,6)0	VXA22(5,6)2	ø8, ø10	1/4, 3/8, 1/2	29	50	14	66	76	32	M5	8	23

Specifications with bracket

Orifice ø3, ø4.5, ø6

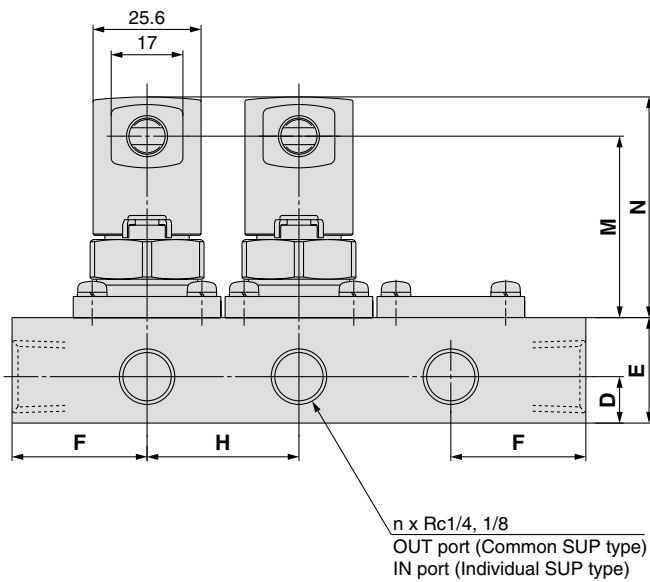
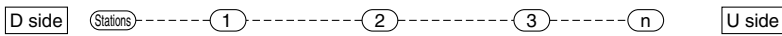
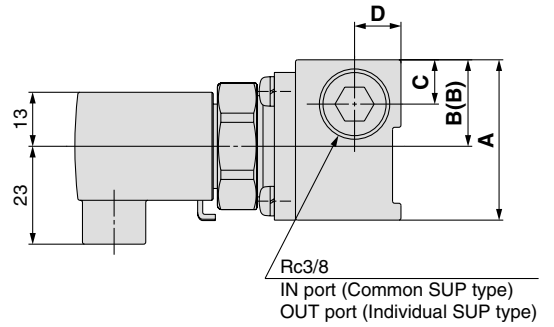
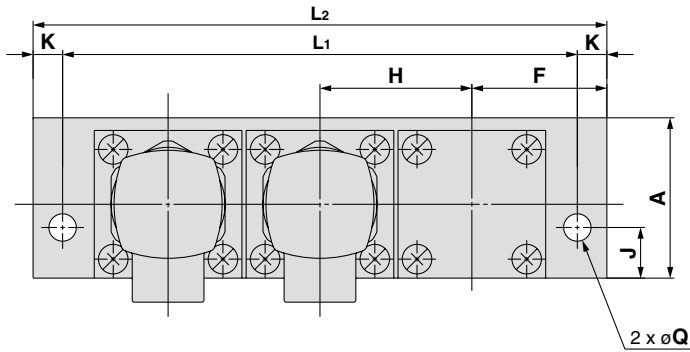
Orifice ø8, ø10



Model		Orifice diameter	Port size P	Bracket mounting			
N.C.	N.O.			K	M	N	Q
VXA21□0	VXA21□2	ø3, ø4.5	1/8, 1/4	46	36	11	15
VXA22(3,4)0	VXA22(3,4)2	ø4.5, ø6	1/4, 3/8	56	46	13	17.5

Dimensions: Manifold/Body Material: Zn

Normally closed (N.C.): VVXA21/VVXA22
 Normally open (N.O.): VVXA21/VVXA22



(mm)

Model	Dimension	n (Stations)									
		2	3	4	5	6	7	8	9	10	
VVXA21	L ₁	86	122	158	194	230	266	302	338	374	
	L ₂	100	136	172	208	244	280	316	352	388	
VVXA22	L ₁	108	154	200	246	292	338	384	430	476	
	L ₂	126	172	218	264	310	356	402	448	494	

(mm)

Model	A	B	(B) Individual SUP type	C	D	E	F	H	J	K	M	N	Q
VVXA21	38	20.5	17.5	10.5	11	25	32	36	12	7	43	52	6.5
VVXA22	49	26.5	22.5	13	13	30	40	46	15	9	48	57	8.5

VX2

VXD

VXZ

VXE

VXP

VXR

VXH

VXF

VX3

VXA

VCH□

VDW

VQ

LVM

VCA

VCB

VCL

VCS

VCW