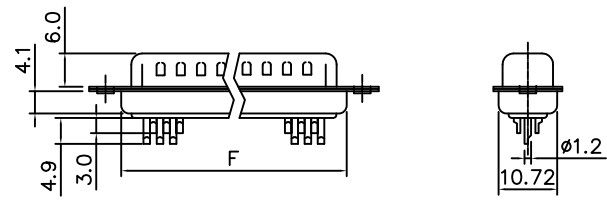
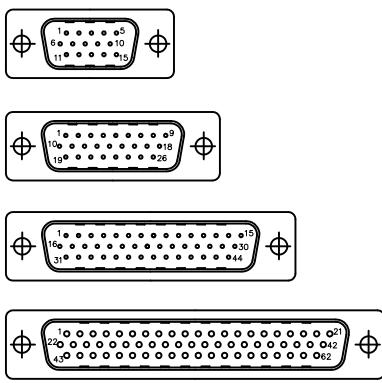
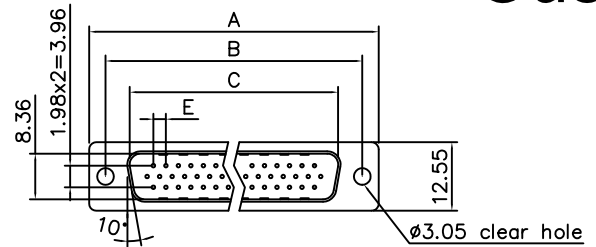


This document is the property of Amphenol Corporation and is delivered on the express condition that it is not to be disclosed, reproduced or used, in whole or in part, for manufacture or sale by anyone other than Amphenol Corporation without its prior consent, & that no right is granted to disclose or to use any information in this document.

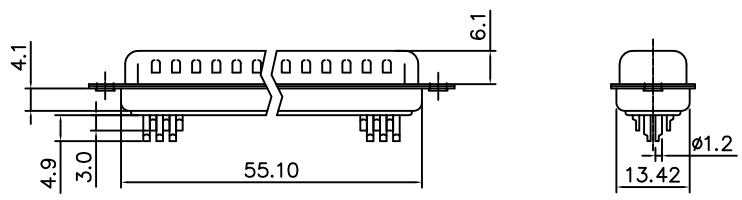
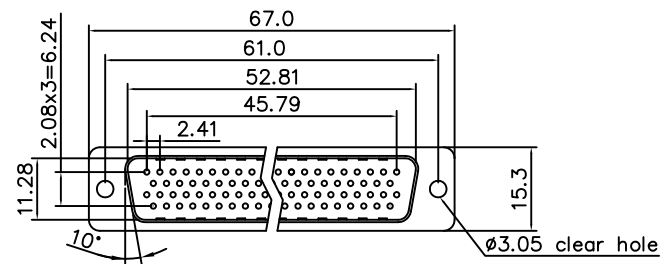
# Customer drawing

REVISIONS				
SYM	ECN	DESCRIPTION	DATE	APPROVED
2	HK--	Add the dimension	08/14/09	IP
3	HK--	Add the wire size	09/26/11'	IP
4	HK--	Updated the wire size	10/13/11'	IP
5	HK--	Change dim. 30.84 to 30.81mm	08/27/13	IP
6	HK--	Add pin number	08/31/17	IP



### Dimensions

Positions	A	B	C	E	F
15	30.81	24.99	16.92	2.29	19.20
26	39.20	33.30	25.25	2.29	27.70
44	53.04	47.04	38.96	2.29	41.10
62	69.40	63.50	55.42	2.41	57.30

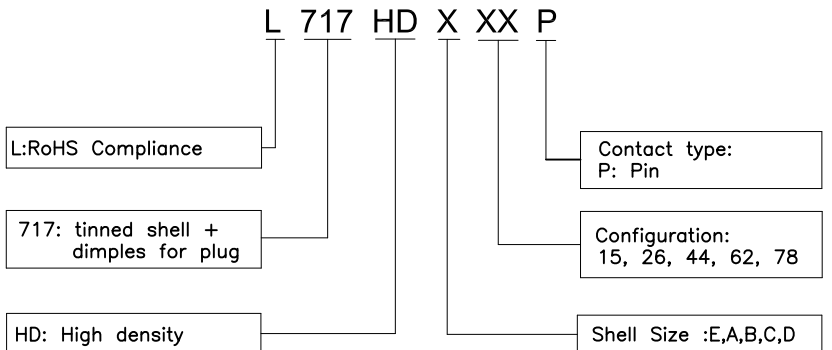


78 Positions

### D-SUB TECHNICAL DATA

SHELL : Steel, 100u" min Tin over 50u" min nickel over 50u" min Copper  
 BODY : Glass-Filled Thermoplastic PBT, UL94V-0, color black  
 CONTACTS : Copper alloy  
 Gold flash over 50u" min nickel on mating area  
 100u" min tin over 50u" min nickel on solder area  
 ELECTRICAL : Voltage rating 250 VAC/RMS  
 Current Rating :3 AMP  
 Withstanding Voltage >1000 VAC/RMS  
 Insulation resistance >1000 M Ohms  
 Contact resistance 20 mOhms max  
 MARKING : Amphenol...(Series No.)  
 Commercial reference  
 Manufacturing date

### PRODUCT CODE



UNLESS OTHERWISE SPECIFIED TOLERANCES	APPROVAL		DATE
	U.S.	METRIC	
.X +/-	0.50	DRAWN	Simon Chen 08/31/17
.XX +/-	0.30	CHECKED	Tony Tang 08/31/17
.XXX +/-	0.20	CHECKED	
FRACTIONS +/-	5'	DRAWING FILE :	
ANGLES +/-		ANGLE OF PROJECTION	
FOR MATERIALS AND FINISHES SEE NOTES			
REMOVE SHARP EDGES			
DIMENSIONS			
U.S.	INCHES		
METRIC	MM		

Amphenol		
D-Sub connector, HD Solder type		
TITLE		
SIZE	DRAWING NO.	REV.
A4	L717HDXXXP	6
SCALE	NONE	SHEET 1 OF 1