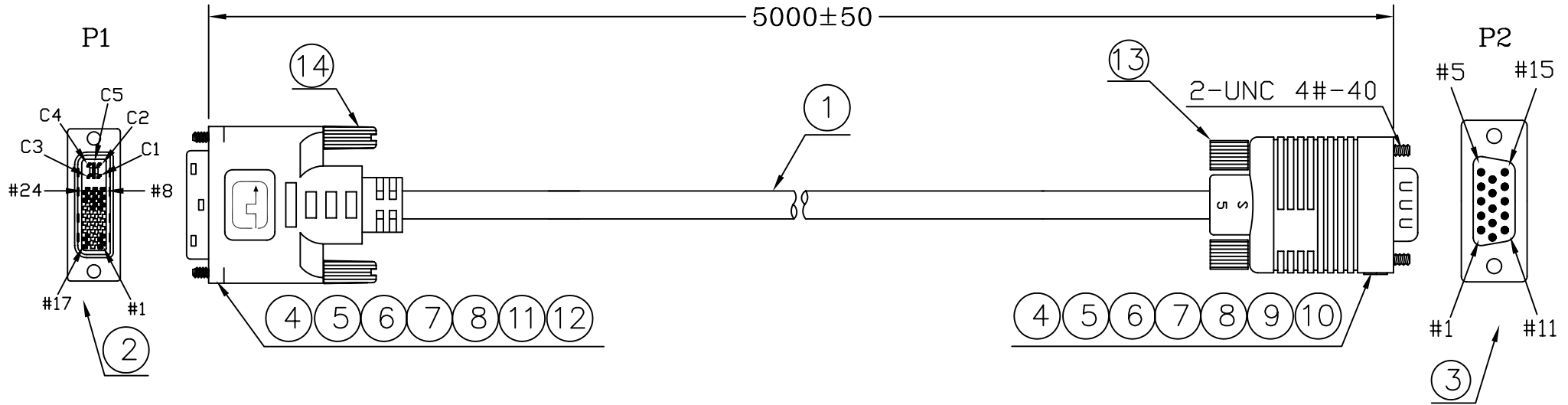


DESCRIPTION CONTROL			
REV	DESC	DATE	ECN NO

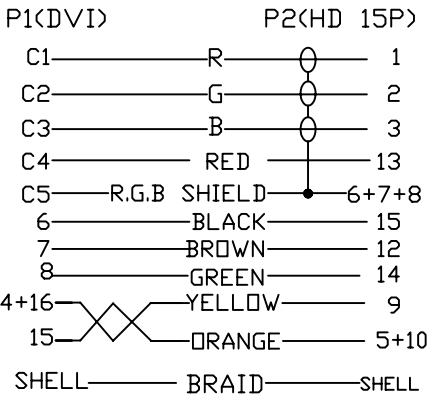


RoHS COMPLIANT

14	240010800005	SRW-RE32/BLACK10	2	PCS					
13	240010200050	SRW-Q39.6/BLACK10	2	PCS					
12	370	FOIL-CU-30MM	65.0*1	MM					
11	370	HT TEAMP TAPE:26MM	80.0*1	MM	*	390	CARTON:46*30*25CM	A/R	PCS
10	370	FOIL-CU-32MM	55.0*1	MM	*	390	PE BAG:30*28*0.08MM	A/R	PCS
9	370	HT TEAMP TAPE:24MM	70.0*1	MM	*	390	PE BAG:8*10*0.06MM	1	PCS
8	210	TUBE-HT-Ø1.0MM(薄型)	20.0*3	MM	INNER MOLDING	ADB1514	AV.DVI-052		
7	210	TUBE-HT-Ø3.0MM(薄型)	10.0*4	MM	OUTER MOLDING	ADB1539	AV.DVI-053		
6	220	JUMP WIRE-26-1007-BLACK	(2*30 *2)*2	MM					
5	220	PE-5321	10.5	G					
4	120010000031	PVC-BLACK10/50	50.0	G					
3	104-1510120010-C	CDS-H15P<BLACK>	1	PCS					
2	204-1251101200-C	D.V.I-12+4+K-P<BLACK>	1	SET					
1	1308101100021	UL20276-3CQAX*30#+1P*28#+5C*28#+A+B-BK10-Ø7.0	5.0	M					
NO	TYPE	DESCRIPTION	QTY	UNIT					

	ITEM: 489377	REV: R	
	DRAWN, BY: 楊燕瑛	SCALE: NONE	DATE: 2007-12-04
	CHECKED, BY:	CUSTOMER: C331<RS>	PAGE: 1/1
APP'ED, BY:	CUSTOMER P/N: 489377		

PIN ASSIGNMENT



ALL DIMENSIONS IN mm