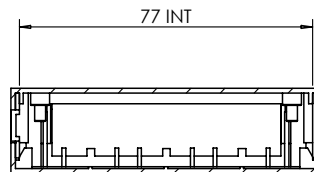
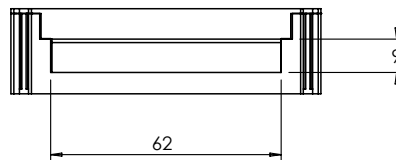
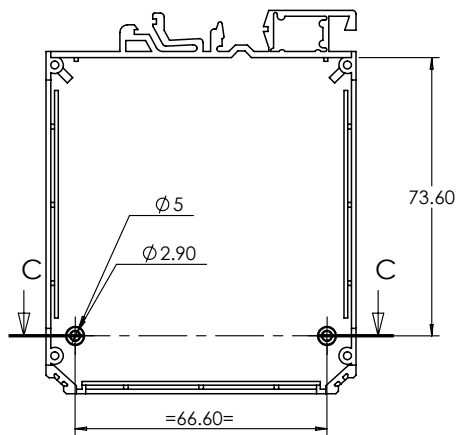
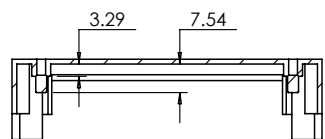
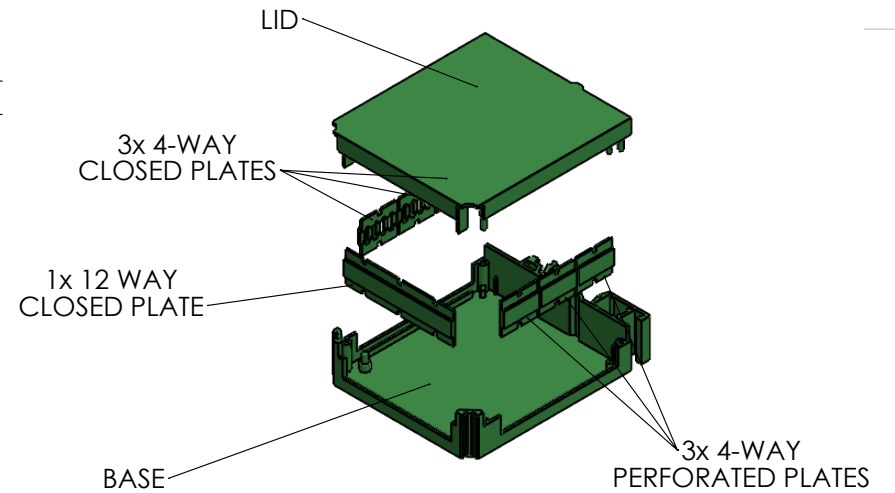


SECTION A-A

BASE



SECTION B-B



SECTION C-C

CAMDENBOSS
ELECTRONICS & ENCLOSURES

60 JAMES CARTER RD.
MILDENHALL,
SUFFOLK, IP28 7DE

TEL: 01638 716101
FAX: 01638 716554
EMAIL: SALES@CAMDENBOSS.COM
WEB: WWW.CAMDENBOSS.COM

NAME	SIGNED	DATE
IAN PAGANO	I.P	23/09/13
DAN SMALLEY	DIS	06/06/16

UNLESS OTHERWISE SPECIFIED:
DIMENSIONS ARE IN MILLIMETERS

GENERAL TOLERANCES +/- 0.2

FINISH: FINE TEXTURE

MATERIAL: ---

PROJECTION:

DO NOT SCALE DRAWING	REVISION: B
TITLE: GENERAL ASSY DRAWING FOR CVB SERIES	
DWG NO. CVB225 KIT	A4
SCALE: 1 : 2	SHEET 1 OF 1