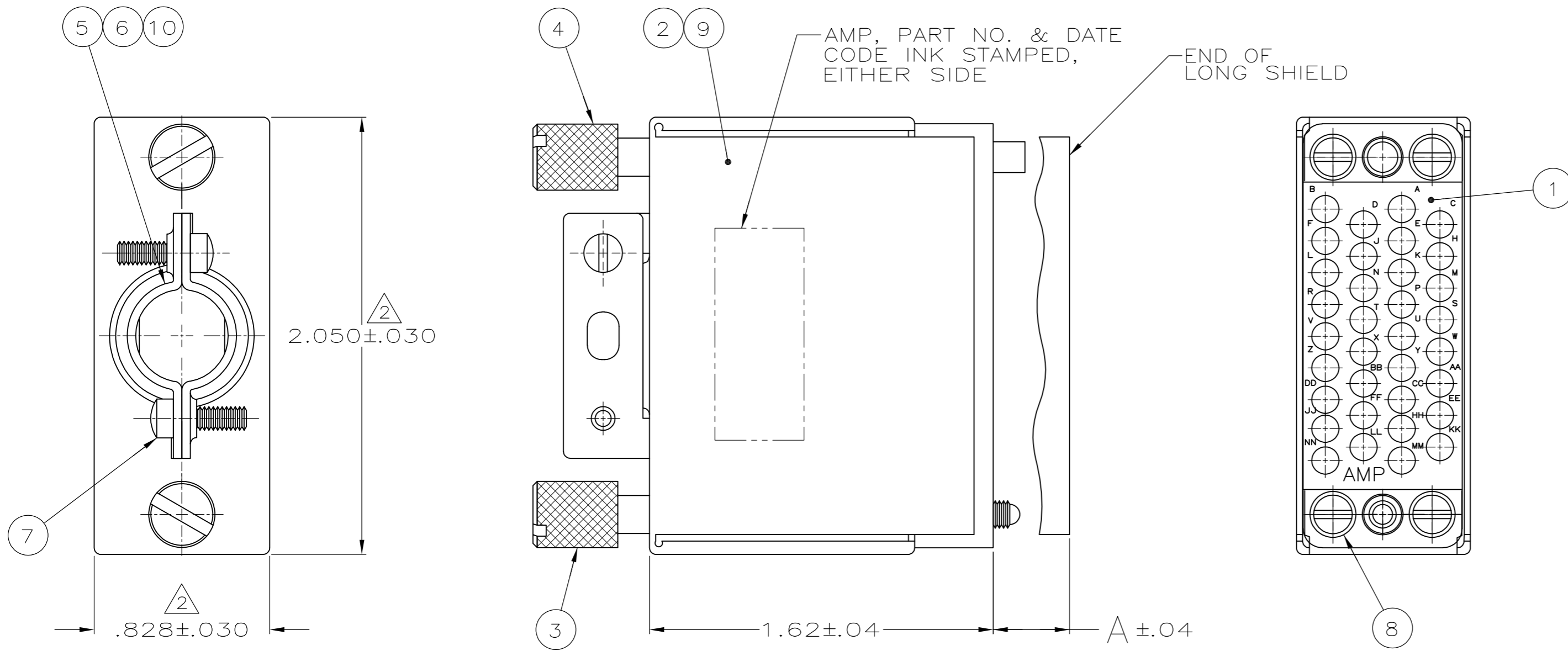


THIS DRAWING IS UNPUBLISHED. RELEASED FOR PUBLICATION
 © COPYRIGHT - By - ALL RIGHTS RESERVED.

LOC	DIST	REVISIONS			
P	LTR	DESCRIPTION	DATE	DWN	APVD
BD	36	H2	REVISED PER ECO-13-008672	02SEP2013	KH DR



- 1 PARTIALLY ASSEMBLED.
- $\triangle 2$ DIMENSION APPLIES AT BASE OF BEND.
- $\triangle 3$ ALL ITEMS BULK PACKAGED SEPARATELY WITHOUT INK MARKING. KITS TO BE ORDERED IN MULTIPLES OF 100 ONLY.
- $\triangle 4$ OBSOLETE PARTS: OBSOLETE CIS STREAMLINING PER D.RENAUD/D.SINISI

-	.1176-.1643	213300-8	OBSOLETE	$\triangle 4$
-	.0314-.0707	213300-7		
-	.1491-.2336	213300-6	OBSOLETE	$\triangle 4$
-	.1491-.2336	213300-5	OBSOLETE	$\triangle 4$
.36	.1176-.1643	213300-4	OBSOLETE	$\triangle 4$
.36	.1491-.2336	213300-3	OBSOLETE	
-	.1176-.1643	213300-2		
-	.1491-.2336	213300-1		
A	CABLE AREA SQ. IN.	PART NO.		

$\triangle 4$ OBSOLETE
 $\triangle 3$ OBSOLETE
 $\triangle 4$ OBSOLETE
 $\triangle 4$ OBSOLETE
 $\triangle 4$ OBSOLETE

QTY	DESCRIPTION	REMARKS	ITEM NO.
2	CABLE CLAMP	STEEL, PLATED ZINC	10
1	SHIELD, LONG	ALUMINUM, ANODIZED	9
4	SCREW, #4-40, .250 LG.	STEEL, PLATED ZINC	8
2	SCREW, #4-40, .375 LG.	STEEL, PLATED ZINC	7
2	CABLE CLAMP	STEEL, PLATED ZINC	6
2	CABLE CLAMP	STEEL, PLATED ZINC	5
1	JACKSCREW, FEMALE	STAINLESS STEEL	4
1	JACKSCREW, MALE	STAINLESS STEEL	3
1	SHIELD, SHORT	ALUMINUM, ANODIZED	2
1	BLOCK, PLUG HSG.	PHENOLIC, BLACK	1

THIS DRAWING IS A CONTROLLED DOCUMENT.

DWN: D.ERDMAN 10-17-86
 CHK: L.LAWVER 10-17-86
 APVD: R.WALTER 10-21-86

TE TE Connectivity

NAME: KIT ASSEMBLY, PLUG, 34 POSITION, M SERIES

SIZE: A2 CAGE CODE: 00779 DRAWING NO: C-213300 RESTRICTED TO: -

MATERIAL: SEE TABLE FINISH: SEE TABLE WEIGHT: - SCALE: 2:1 SHEET: 1 of 1 REV: H2

CUSTOMER DRAWING