


381166308	<b>DATA SHEET</b>	
Valid from: 05.11.2024	<b>EPIC® POWER M 12L SCREW 4+FE</b>	

### Description:

- Circular connectors for power transmission
- Straight version with cable aperture 8 mm - 12 mm
- High-quality gold-plated screw contacts



### Product variants:

Article number	Type	Pole image	Cable diameter
381166308	Cable plug with male contacts (F6)	L-coded; 4+FE	8 mm - 12 mm
381166313	Cable socket with female contacts (D6)	L-coded; 4+FE	8 mm - 12 mm
381166316	Angled cable plug with male contacts (F1)	L-coded; 4+FE	8 mm - 12 mm
381166317	Angled cable socket with female contacts (D7)	L-coded; 4+FE	8 mm - 12 mm

### General characteristic:

Series	Power M 12
Coding	L-coded
Type	Cable plug/cable socket (angled or straight)
Pole image	4+FE
Rated voltage	63 V
Rated impulse voltage	1.5 kV
Pollution degree	3
Rated current	16 A
Contact resistance	≤ 10 mΩ
Connection cross-section	Screw contacts 0.5 - 2.5 mm <sup>2</sup>
Cable diameter	8 mm - 12 mm
Protection class	IP 67 according to IEC 60529
Mating cycles	> 100
Temperature range	-25°C up to +85°C
Tightening torque Contact	0.3 Nm
Tightening torque cable clamp	0.6 Nm
Tightening torque for connector locking	0.3 Nm

### Materials/surface:

Contacts	Copper alloy
Contact surface	Au (gold)
Contact body material	PA


### Standards:

Product standard	DIN EN 61076-2-111
------------------	--------------------

### Approvals:

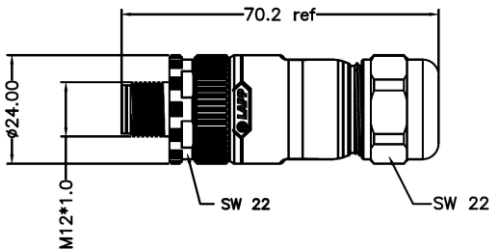
In preparation

Creator: VACH1/BU EPIC Released: JUKL2/BU EPIC	Document: DB381166308EN Version: 00	Page 1 from 3
---	--	---------------

381166308	<b>DATA SHEET</b>	
Valid from: 05.11.2024	<b>EPIC® POWER M 12L SCREW 4+FE</b>	

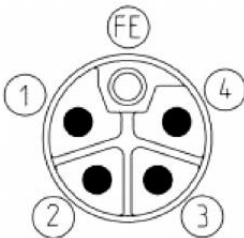
**Technical drawings**

Technical drawing

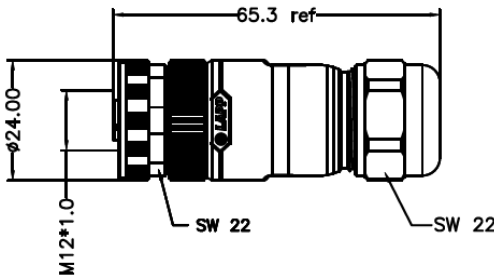


**Cable plug F6**

Pole image

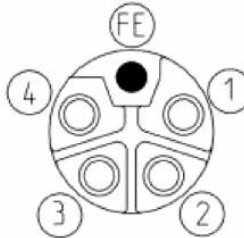


Technical drawing

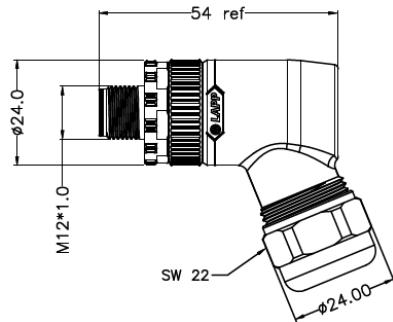


**Cable socket D6**

Pole image

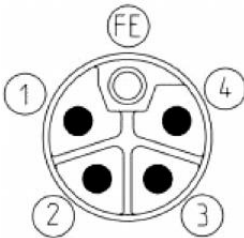


Technical drawing

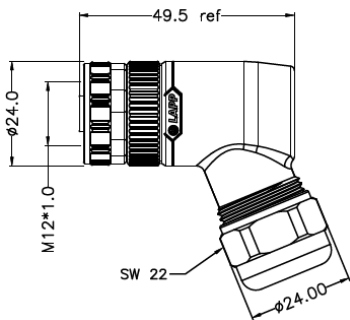


**Angled plug F1**

Pole image

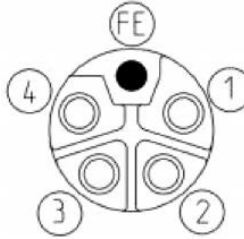


Technical drawing




**Angle socket F7**

Pole image



We reserve all rights in accordance with DIN ISO 16016.  
PD 0019/05\_04.18EN

381166308	<b>DATA SHEET</b>	
Valid from: 05.11.2024	<b>EPIC® POWER M 12L SCREW 4+FE</b>	

**Assembly:**

Sheath length:	25 - 30 mm
Stripping length:	4 - 5 mm
Tightening torque Contact:	0.3 Nm
Tightening torque cable clamp:	0.6 Nm

**Areas of application:**

Power transmission for mechanical and plant engineering and servomotors

**Note:**

The photographs are not to scale and are not detailed images of the respective products.  
Further information can be found in the product standard.

Creator: VACH1/BU EPIC Released: JUKL2/BU EPIC	Document: DB381166308EN Version: 00	Page 3 from 3
---	--	---------------