

dsPIC33EP256MC506 Plug-In Module (PIM) Information Sheet for Internal Op Amp Configuration

The dsPIC33EP256MC506 Internal Op Amp Motor Control PIM is designed to demonstrate the capabilities of the dsPIC33EP256MC506 motor control device using internal op amps with development boards, such as the dsPICDEM™ MCLV-2 Development Board (DM330021-2) and the dsPICDEM MCHV-2 Development Board (DM330023-2), which support 100-pin PIM interfaces.

The dsPIC33EP256MC506 is a high-performance, 16-bit Digital Signal Controller (DSC) in a 64-pin TQFP package. This device is equipped with three internal Op Amp/Comparators and one dedicated Analog Comparator. The dsPIC33EP256MC506 Internal Op Amp Motor Control PIM takes advantage of these analog peripherals, configured using on-board passive components (resistors and capacitors) to support motor control applications, without requiring external op amps or comparators.

To operate this PIM with the dsPICDEM MCLV-2 and dsPICDEM MCHV-2 Development Boards, please insert the Internal Op Amp Configuration Board into the header, J4 (for the dsPICDEM MCHV-2 Development Board), or header, J14 (for the dsPICDEM MCLV-2 Development Board).

Figure 1 shows the connection location for the dsPICDEM MCHV-2 Development Board.

FIGURE 1: INTERNAL OP AMP CONFIGURATION BOARD



Hardware Compatibility

Table 1 provides information on the hardware versions of the motor control boards that are compatible with this PIM. Refer to the user's guide for the specific motor control board for hardware version identification information.

TABLE 1: HARDWARE COMPATIBILITY

Development Board	Part Number	Compatible Hardware Version(s)
dsPICDEM™ MCHV Development Board	DM330023	Not compatible
dsPICDEM™ MCLV Development Board	DM330021	Not compatible
dsPICDEM™ MCSM Development Board	DM330022	Not compatible
dsPICDEM™ MCHV-2 Development Board	DM330023-2	All revisions
dsPICDEM™ MCLV-2 Development Board	DM330021-2	All revisions

Warning:

Do not connect non-isolated oscilloscope probes to the test points on the dsPIC33EP256MC506 Internal Op Amp Motor Control PIM while using the PIM with the dsPICDEM™ MCHV-2 Development Board. Use a high-voltage differential probe, rated in excess of 600 VRMS (Common-mode). Failure to heed this warning could result in hardware damage.

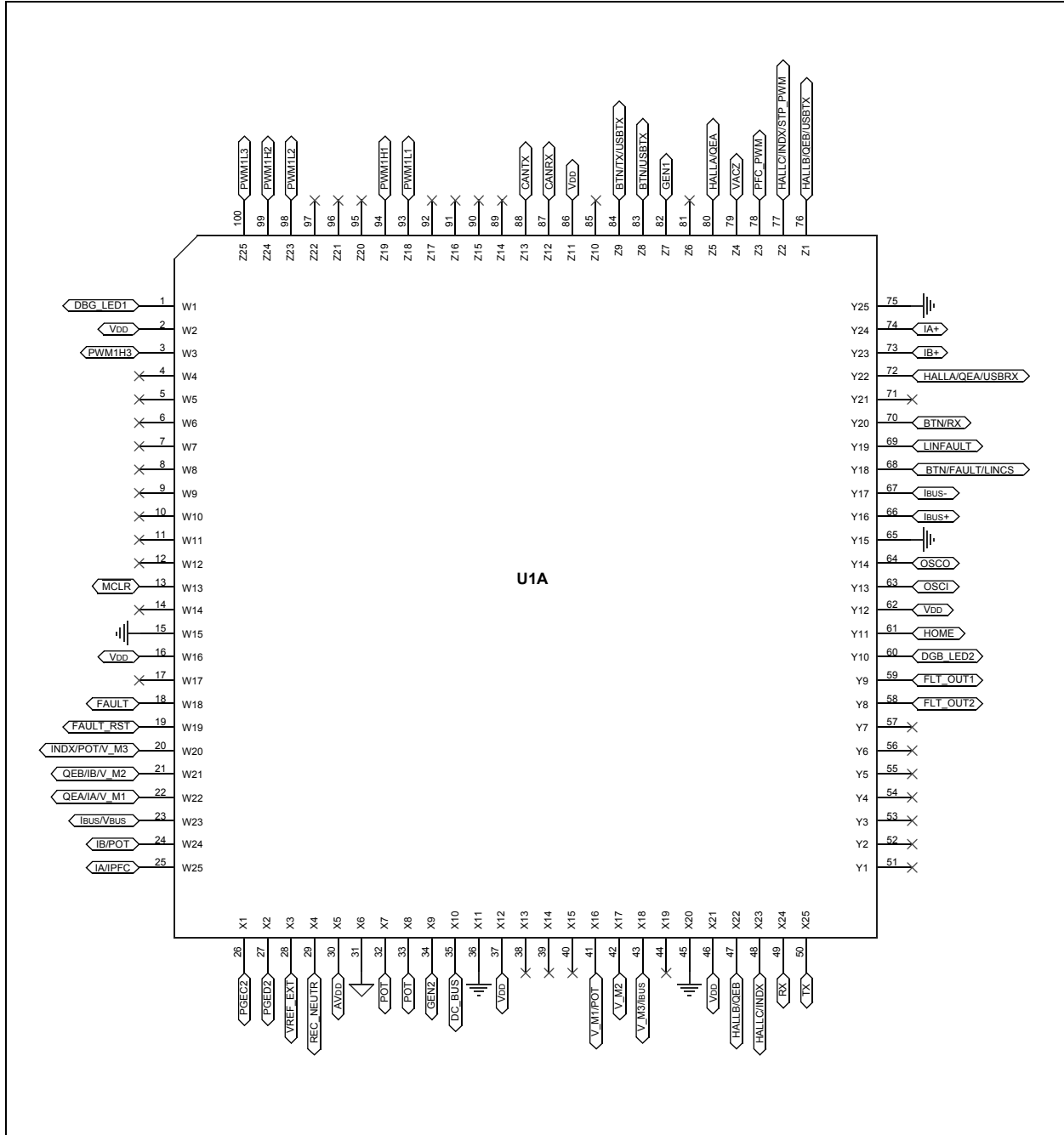
Table 2 provides the static mapping between the 100-pin PIM pins and the device pins.

TABLE 2: 64-PIN DEVICE TO 100-PIN PIM MAPPING

Device Pin #	dsPIC33EP256MC506 Device Functional Description	PIM Pin #	PIM Functional Description
1	TDI/RA7	—	Not Connected
2	RPI46/PWM1H/T3CK/RB14	94	PWM Out – H1
3	RPI47/PWM1L/T5CK/RB15	93	PWM Out – L1
4	RP118/RG6	84	Switch/UART TX
5	RPI119/RG7	83	Switch
6	RP120/RG8	76	HALLB/QEB/USB TX
7	MCLR	13	Device Master Clear
8	RPI121/RG9	72	HALLA/QEA/USB RX
9	Vss	15, 36, 45, 65, 75	N/A
10	VDD	2, 16, 37, 46, 62, 86	N/A
11	AN10/RPI28/RA12	35	DC_BUS Voltage (scaled)
12	AN9/RPI27/RA11	25	IA/IPFC Current
13	AN0/OA2OUT/RA0	42	V_M2 Motor Phase Voltage
14	AN1/C2IN1+/RA1	22, 41	QEA/IA/V_M1/POT
15	PGED3/VREF-/AN2/C2IN1-/SS1/RPI32/CTED2/RB0	43	V_M3/IBUS/HALLC
16	PGEC3/VREF+/AN3/OA1OUT/RPI33/CTED1/RB1	59	Op Amp 1 Output
17	PGEC1/AN4/C1IN1+/RPI34/RB2	21	QEB/IB/V_M2
18	PGED1/AN5/C1IN1-/RP35/RB3	—	Used by Op Amp Circuit
19	AVDD	30	N/A
20	AVSS	31	N/A
21	AN6/OA3OUT/C4IN1+/OCFB/RC0	58	Op Amp 3 Output
22	AN7/C3IN1-/C4IN1-/RC1	—	Used by Op Amp Circuit
23	AN8/C3IN1+/U1RTS/BCLK1/FLT3/RC2	20	INDX/POT/V_M3
24	AN11/C1IN2-/U1CTS/FLT4/RC11	24	IB/POT
25	Vss	15, 36, 45, 65, 75	N/A
26	VDD	2, 16, 37, 46, 62, 86	N/A
27	AN12/C2IN2-/U2RTS/BCLK2/RE12	—	Reconstructed Motor Neutral Input
28	AN13/C3IN2-/U2CTS/RE13	32, 33	Potentiometer
29	AN14/RPI94/RE14	23	Ibus/Vbus
30	AN15/RPI95/RE15	34	General Purpose I/O
31	SDA2/RPI24/RA8	80	HALLA/QEA
32	FLT32/SCL2/RP36/RB4	18	Overcurrent Fault Input

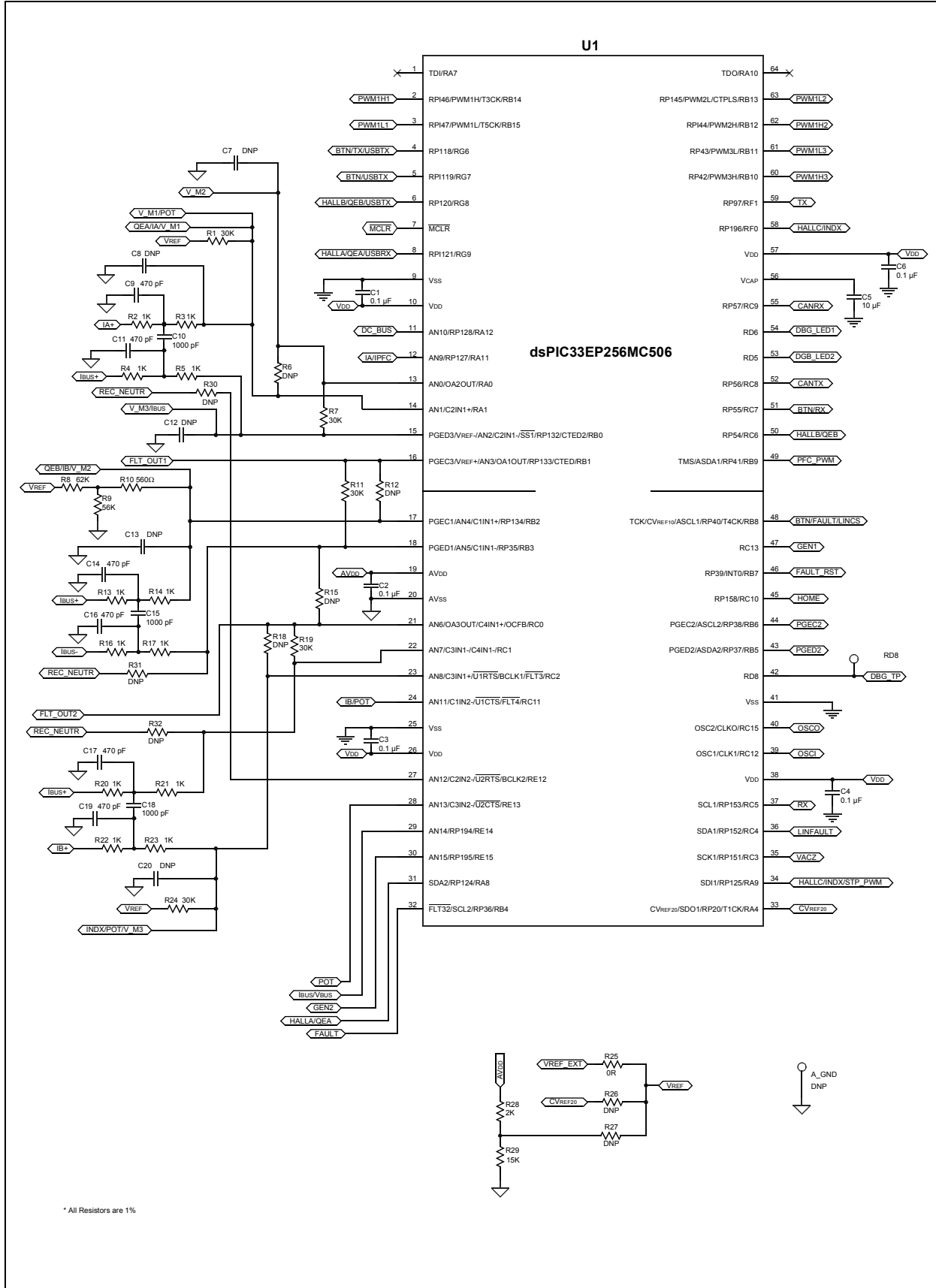
Device Pin #	dsPIC33EP256MC506 Device Functional Description	PIM Pin #	PIM Functional Description
33	CVREF20/SDO1/RP20/T1CK/RA4	—	Used by Op Amp Circuit
34	SDI1/RPI25/RA9	77	HALLC/INDX/STP_PWM
35	SCK1/RPI51/RC3	79	AC Input Zero Cross
36	SDA1/RPI52/RC4	69	LIN Fault
37	SCL1/RPI53/RC5	49	UART RX
38	VDD	2, 16, 37, 46, 62, 86	N/A
39	OSC1/CLKI/RC12	63	OSCI
40	OSC2/CLKO/RC15	64	OSCO
41	Vss	15, 36, 45, 65, 75	N/A
42	RD8	—	Debug Test Point
43	PGED2/ASDA2/RP37/RB5	27	PGED2
44	PGEC2/ASCL2/RP38/RB6	26	PGEC2
45	RPI58/RC10	61	HOME Signal (QEI)
46	RP39/INT0/RB7	19	PFC Fault/UART TX
47	RC13	82	General Purpose I/O
48	TCK/CVREF10/ASCL1/RP40/T4CK/RB8	68	BTN/LINCS
49	TMS/ASDA1/RP41/RB9	78	PFC PWM/CAN RX
50	RP54/RC6	47	HALLB/QEB
51	RP55/RC7	70	BTN/RX
52	RP56/RC8	88	CAN TX
53	RD5	60	Debug LED2
54	RD6	1	Debug LED1
55	RP57/RC9	87	CAN RX
56	VCAP	—	Not Connected
57	VDD	2, 16, 37, 46, 62, 86	N/A
58	RPI96/RF0	48	HALLC/INDX
59	RP97/RF1	50	UART TX
60	RP42/PWM3H/RB10	3	PWM Out – H3
61	RP43/PWM3L/RB11	100	PWM Out – L3
62	RPI44/PWM2H/RB12	99	PWM Out – H2
63	RPI45/PWM2L/CTPLS/RB13	98	PWM Out – L2
64	TDO/RA10	—	Not Connected

FIGURE 2: 100-PIN HEADER SCHEMATIC



dsPIC33EP256MC506

FIGURE 3: 64-PIN DEVICE SCHEMATIC



In the schematic shown in [Figure 3](#), resistors, R25, R26 and R27, are used to choose the reference voltage (VREF) from the motor control board (VREF_EXT) or the device internal reference (CVREF20), or a simple voltage divider (R28-R29), respectively. By default, the PIM is configured to source the reference voltage from the motor control board.

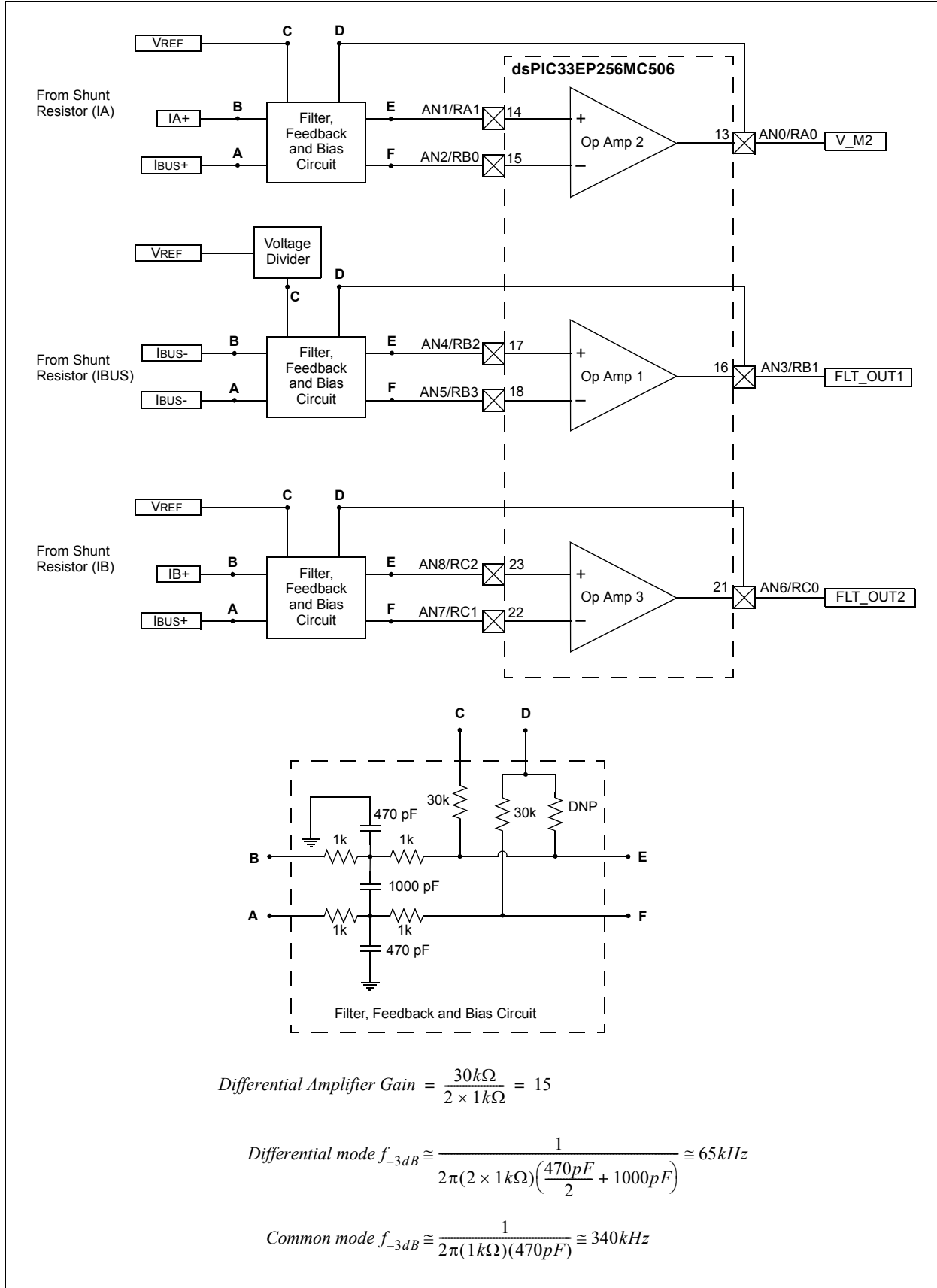
[Table 3](#) classifies the passive components according to their functionality and also quotes the design equations applicable in each case.

TABLE 3: ANALOG FUNCTIONALITY LISTING

Op Amp #	Analog Function	Passive Components	Design Equations
1	Low-Pass Filter	R13, R14, R16, R17, C14, C15, C16	$R13 = R14 = R16 = R17 = R$ $C14 = C16 = C$
	Reference Voltage Bias	R10, R11	$R10 = R11$
	Voltage Divider	R8, R9	$Common\ mode\ f_{-3dB} \cong \frac{1}{2\pi RC}$
	Differential Amplifier Input	R13, R14, R16, R17	$Differential\ mode\ f_{-3dB} \cong \frac{1}{2\pi(2R)\left(\frac{C}{2} + C_{15}\right)}$
	Differential Amplifier Feedback	R11	$Differential\ Amplifier\ Gain = \frac{R_{11}}{2R}$
2	Low-Pass Filter	R2, R3, R4, R5, C9, C10, C11	$R2 = R3 = R4 = R5 = R$ $C9 = C11 = C$
	Reference Voltage Bias	R1, R7	$R1 = R7$
	Differential Amplifier Input	R2, R3, R4, R5	$Common\ mode\ f_{-3dB} \cong \frac{1}{2\pi RC}$
	Differential Amplifier Feedback	R7	$Differential\ mode\ f_{-3dB} \cong \frac{1}{2\pi(2R)\left(\frac{C}{2} + C_{10}\right)}$ $Differential\ Amplifier\ Gain = \frac{R_7}{2R}$
3	Low-Pass Filter	R20, R21, R22, R23, C17, C18, C19	$R20 = R21 = R22 = R23 = R$ $C17 = C19 = C$
	Reference Voltage Bias	R24, R19	$R24 = R19$
	Differential Amplifier Input	R20, R21, R22, R23	$Common\ mode\ f_{-3dB} \cong \frac{1}{2\pi RC}$
	Differential Amplifier Feedback	R19	$Differential\ mode\ f_{-3dB} \cong \frac{1}{2\pi(2R)\left(\frac{C}{2} + C_{18}\right)}$ $Differential\ Amplifier\ Gain = \frac{R_{19}}{2R}$

dsPIC33EP256MC506

FIGURE 4: OP AMP CIRCUIT BLOCK DIAGRAM



Note the following details of the code protection feature on Microchip devices:

- Microchip products meet the specification contained in their particular Microchip Data Sheet.
- Microchip believes that its family of products is one of the most secure families of its kind on the market today, when used in the intended manner and under normal conditions.
- There are dishonest and possibly illegal methods used to breach the code protection feature. All of these methods, to our knowledge, require using the Microchip products in a manner outside the operating specifications contained in Microchip's Data Sheets. Most likely, the person doing so is engaged in theft of intellectual property.
- Microchip is willing to work with the customer who is concerned about the integrity of their code.
- Neither Microchip nor any other semiconductor manufacturer can guarantee the security of their code. Code protection does not mean that we are guaranteeing the product as "unbreakable."

Code protection is constantly evolving. We at Microchip are committed to continuously improving the code protection features of our products. Attempts to break Microchip's code protection feature may be a violation of the Digital Millennium Copyright Act. If such acts allow unauthorized access to your software or other copyrighted work, you may have a right to sue for relief under that Act.

Information contained in this publication regarding device applications and the like is provided only for your convenience and may be superseded by updates. It is your responsibility to ensure that your application meets with your specifications. MICROCHIP MAKES NO REPRESENTATIONS OR WARRANTIES OF ANY KIND WHETHER EXPRESS OR IMPLIED, WRITTEN OR ORAL, STATUTORY OR OTHERWISE, RELATED TO THE INFORMATION, INCLUDING BUT NOT LIMITED TO ITS CONDITION, QUALITY, PERFORMANCE, MERCHANTABILITY OR FITNESS FOR PURPOSE. Microchip disclaims all liability arising from this information and its use. Use of Microchip devices in life support and/or safety applications is entirely at the buyer's risk, and the buyer agrees to defend, indemnify and hold harmless Microchip from any and all damages, claims, suits, or expenses resulting from such use. No licenses are conveyed, implicitly or otherwise, under any Microchip intellectual property rights.

Trademarks

The Microchip name and logo, the Microchip logo, dsPIC, FlashFlex, KEELOQ, KEELOQ logo, MPLAB, PIC, PICmicro, PICSTART, PIC³² logo, rPIC, SST, SST Logo, SuperFlash and UNI/O are registered trademarks of Microchip Technology Incorporated in the U.S.A. and other countries.

FilterLab, Hampshire, HI-TECH C, Linear Active Thermistor, MTP, SEEVAL and The Embedded Control Solutions Company are registered trademarks of Microchip Technology Incorporated in the U.S.A.

Silicon Storage Technology is a registered trademark of Microchip Technology Inc. in other countries.


Analog-for-the-Digital Age, Application Maestro, BodyCom, chipKIT, chipKIT logo, CodeGuard, dsPICDEM, dsPICDEM.net, dsPICworks, dsSPEAK, ECAN, ECONOMONITOR, FanSense, HI-TIDE, In-Circuit Serial Programming, ICSP, Mindi, MiWi, MPASM, MPF, MPLAB Certified logo, MPLIB, MPLINK, mTouch, Omniclient Code Generation, PICC, PICC-18, PICDEM, PICDEM.net, PICkit, PICtail, REAL ICE, rLAB, Select Mode, SQI, Serial Quad I/O, Total Endurance, TSHARC, UniWinDriver, WiperLock, ZENA and Z-Scale are trademarks of Microchip Technology Incorporated in the U.S.A. and other countries.

SQTP is a service mark of Microchip Technology Incorporated in the U.S.A.

GestIC and ULPP are registered trademarks of Microchip Technology Germany II GmbH & Co. & KG, a subsidiary of Microchip Technology Inc., in other countries.

All other trademarks mentioned herein are property of their respective companies.

© 2013, Microchip Technology Incorporated, Printed in the U.S.A., All Rights Reserved.

 Printed on recycled paper.

ISBN: 978-1-62076-997-3

QUALITY MANAGEMENT SYSTEM
CERTIFIED BY DNV
== ISO/TS 16949 ==

Microchip received ISO/TS-16949:2009 certification for its worldwide headquarters, design and wafer fabrication facilities in Chandler and Tempe, Arizona; Gresham, Oregon and design centers in California and India. The Company's quality system processes and procedures are for its PIC[®] MCUs and dsPIC[®] DSCs, KEELOQ[®] code hopping devices, Serial EEPROMs, microperipherals, nonvolatile memory and analog products. In addition, Microchip's quality system for the design and manufacture of development systems is ISO 9001:2000 certified.



MICROCHIP

Worldwide Sales and Service

AMERICAS

Corporate Office
2355 West Chandler Blvd.
Chandler, AZ 85224-6199
Tel: 480-792-7200
Fax: 480-792-7277
Technical Support:
<http://www.microchip.com/support>
Web Address:
www.microchip.com

Atlanta
Duluth, GA
Tel: 678-957-9614
Fax: 678-957-1455

Boston
Westborough, MA
Tel: 774-760-0087
Fax: 774-760-0088

Chicago
Itasca, IL
Tel: 630-285-0071
Fax: 630-285-0075

Cleveland
Independence, OH
Tel: 216-447-0464
Fax: 216-447-0643

Dallas
Addison, TX
Tel: 972-818-7423
Fax: 972-818-2924

Detroit
Farmington Hills, MI
Tel: 248-538-2250
Fax: 248-538-2260

Indianapolis
Noblesville, IN
Tel: 317-773-8323
Fax: 317-773-5453

Los Angeles
Mission Viejo, CA
Tel: 949-462-9523
Fax: 949-462-9608

Santa Clara
Santa Clara, CA
Tel: 408-961-6444
Fax: 408-961-6445

Toronto
Mississauga, Ontario,
Canada
Tel: 905-673-0699
Fax: 905-673-6509

ASIA/PACIFIC

Asia Pacific Office
Suites 3707-14, 37th Floor
Tower 6, The Gateway
Harbour City, Kowloon
Hong Kong
Tel: 852-2401-1200
Fax: 852-2401-3431

Australia - Sydney
Tel: 61-2-9868-6733
Fax: 61-2-9868-6755

China - Beijing
Tel: 86-10-8569-7000
Fax: 86-10-8528-2104

China - Chengdu
Tel: 86-28-8665-5511
Fax: 86-28-8665-7889

China - Chongqing
Tel: 86-23-8980-9588
Fax: 86-23-8980-9500

China - Hangzhou
Tel: 86-571-2819-3187
Fax: 86-571-2819-3189

China - Hong Kong SAR
Tel: 852-2943-5100
Fax: 852-2401-3431

China - Nanjing
Tel: 86-25-8473-2460
Fax: 86-25-8473-2470

China - Qingdao
Tel: 86-532-8502-7355
Fax: 86-532-8502-7205

China - Shanghai
Tel: 86-21-5407-5533
Fax: 86-21-5407-5066

China - Shenyang
Tel: 86-24-2334-2829
Fax: 86-24-2334-2393

China - Shenzhen
Tel: 86-755-8864-2200
Fax: 86-755-8203-1760

China - Wuhan
Tel: 86-27-5980-5300
Fax: 86-27-5980-5118

China - Xian
Tel: 86-29-8833-7252
Fax: 86-29-8833-7256

China - Xiamen
Tel: 86-592-2388138
Fax: 86-592-2388130

China - Zhuhai
Tel: 86-756-3210040
Fax: 86-756-3210049

ASIA/PACIFIC

India - Bangalore
Tel: 91-80-3090-4444
Fax: 91-80-3090-4123

India - New Delhi
Tel: 91-11-4160-8631
Fax: 91-11-4160-8632

India - Pune
Tel: 91-20-2566-1512
Fax: 91-20-2566-1513

Japan - Osaka
Tel: 81-6-6152-7160
Fax: 81-6-6152-9310

Japan - Tokyo
Tel: 81-3-6880-3770
Fax: 81-3-6880-3771

Korea - Daegu
Tel: 82-53-744-4301
Fax: 82-53-744-4302

Korea - Seoul
Tel: 82-2-554-7200
Fax: 82-2-558-5932 or
82-2-558-5934

Malaysia - Kuala Lumpur
Tel: 60-3-6201-9857
Fax: 60-3-6201-9859

Malaysia - Penang
Tel: 60-4-227-8870
Fax: 60-4-227-4068

Philippines - Manila
Tel: 63-2-634-9065
Fax: 63-2-634-9069

Singapore
Tel: 65-6334-8870
Fax: 65-6334-8850

Taiwan - Hsin Chu
Tel: 886-3-5778-366
Fax: 886-3-5770-955

Taiwan - Kaohsiung
Tel: 886-7-213-7828
Fax: 886-7-330-9305

Taiwan - Taipei
Tel: 886-2-2508-8600
Fax: 886-2-2508-0102

Thailand - Bangkok
Tel: 66-2-694-1351
Fax: 66-2-694-1350

EUROPE

Austria - Wels
Tel: 43-7242-2244-39
Fax: 43-7242-2244-393

Denmark - Copenhagen
Tel: 45-4450-2828
Fax: 45-4485-2829

France - Paris
Tel: 33-1-69-53-63-20
Fax: 33-1-69-30-90-79

Germany - Munich
Tel: 49-89-627-144-0
Fax: 49-89-627-144-44

Italy - Milan
Tel: 39-0331-742611
Fax: 39-0331-466781

Netherlands - Drunen
Tel: 31-416-690399
Fax: 31-416-690340

Spain - Madrid
Tel: 34-91-708-08-90
Fax: 34-91-708-08-91

UK - Wokingham
Tel: 44-118-921-5869
Fax: 44-118-921-5820

11/29/12