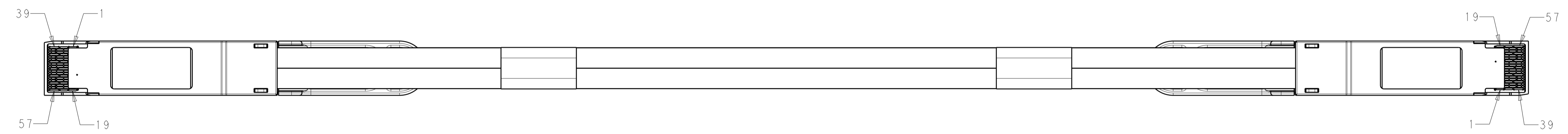
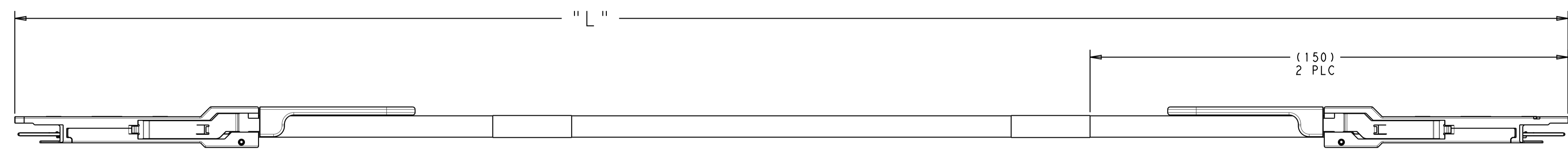
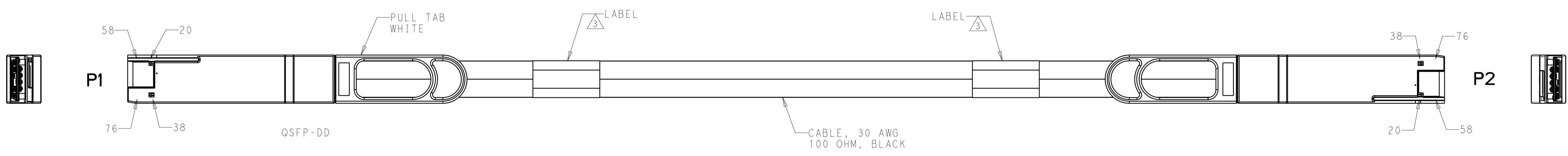
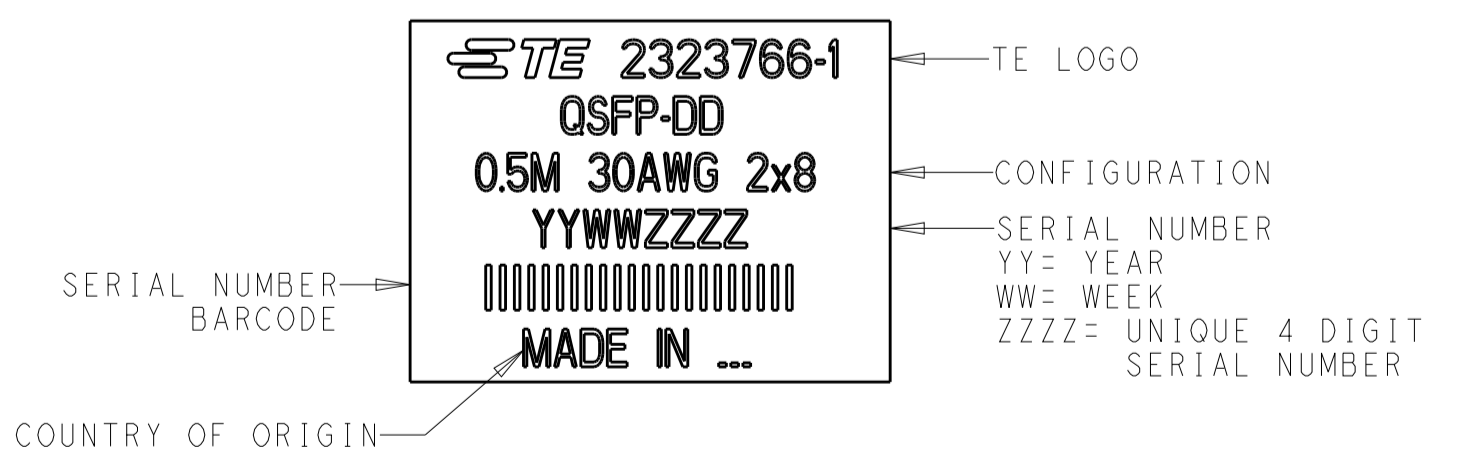


REVISIONS				
P	LTN	DESCRIPTION	DATE	APVD
		SEE LAST SHEET		



- SEE SHEET 2 FOR WIRING SCHEMATIC.
- ALL MATERIALS, COMPONENTS AND PROCESSES SHALL COMPLY WITH TEC-138-702. (CONTAINS NO BANNED OR RESTRICTED SUBSTANCES).

△ LABEL INFORMATION: -1 SHOWN.



- NO REACH SvHC SHALL BE CONTAINED ABOVE THE THRESHOLD AS DEFINED IN REACH SvHC COMPLIANCE DEFINITION IN ANNEX A OF TEC-138-702.
- CABLE ASSEMBLY 100% TESTED FOR OPENS, SHORTS AND PROPER EEPROM PROGRAM.

△ THIS LENGTH DOES NOT MEET IEEE802.3cd SPECIFICATION.

1.75M 30AWG 2x8	1750±25	2323766-7
1.25M 30AWG 2x8	1250±20	2323766-6
0.75M 30AWG 2x8	750±20	2323766-5
2.0M 30AWG 2x8	2000±30	2323766-4
1.5M 30AWG 2x8	1500±25	2323766-3
1.0M 30AWG 2x8	1000±20	2323766-2
0.5M 30AWG 2x8	500±20	2323766-1
CONFIGURATION	"L"	PART NO

**PRELIMINARY  
NOT RELEASED FOR PRODUCTION**

THIS DRAWING IS A CONTROLLED DOCUMENT.		DWN T. SMITH 16OCT2017 CHK K. STAUFFER 16OCT2017 APVD -	<b>STE</b> TE Connectivity	
DIMENSIONS:	TOLERANCES UNLESS OTHERWISE SPECIFIED:	PRODUCT SPEC	NAME	
mm	0 PLC ± 1 PLC ± 2 PLC ± 3 PLC ± 4 PLC ± ANGLES ±	APPLICATION SPEC	CABLE ASSY, 30 AWG OSFP-DD	
MATERIAL	FINISH	WEIGHT	SIZE	CAGE CODE DRAWING NO
-	-	-	A1	00779C=2323766
CUSTOMER DRAWING		SCALE	SHEET	REV
		5:1	1 OF 3	7


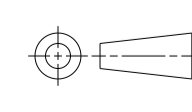
REVISIONS				
P.	LTN	DESCRIPTION	DATE	APVD
		SEE SHEET 1		

P1			P2	
GND	1		20	GND
TX2-	<b>2</b>	↔	<b>21</b>	RX2-
TX2+	<b>3</b>	↔	<b>22</b>	RX2+
GND	4		23	GND
TX4-	<b>5</b>	↔	<b>24</b>	RX4-
TX4+	<b>6</b>	↔	<b>25</b>	RX4+
GND	7		26	GND
ModseIL	8		27	ModPrsL
ResetL	9		28	intL
VccRx	10		29	VccTx
SCL	11		30	Vcc1
SDA	12		31	InitMode
GND	13		32	GND
RX3+	<b>14</b>	↔	<b>33</b>	TX3+
RX3-	<b>15</b>	↔	<b>34</b>	TX3-
GND	16		35	GND
RX1+	<b>17</b>	↔	<b>36</b>	TX1+
RX1-	<b>18</b>	↔	<b>37</b>	TX1-
GND	19		38	GND

GND	20		1	GND
RX2-	<b>21</b>	↔	<b>2</b>	TX2-
RX2+	<b>22</b>	↔	<b>3</b>	TX2+
GND	23		4	GND
RX4-	<b>24</b>	↔	<b>5</b>	TX4-
RX4+	<b>25</b>	↔	<b>6</b>	TX4+
GND	26		7	GND
ModPrsL	27		8	ModseIL
intL	28		9	ResetL
VccTx	29		10	VccRx
Vcc1	30		11	SCL
InitMode	31		12	SDA
GND	32		13	GND
TX3+	<b>33</b>	↔	<b>14</b>	RX3+
TX3-	<b>34</b>	↔	<b>15</b>	RX3-
GND	35		16	GND
TX1+	<b>36</b>	↔	<b>17</b>	RX1+
TX1-	<b>37</b>	↔	<b>18</b>	RX1-
GND	38		19	GND


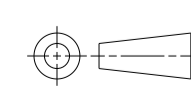
P1			P2	
GND	39		58	GND
TX6-	<b>40</b>	↔	<b>59</b>	RX6-
TX6+	<b>41</b>	↔	<b>60</b>	RX6+
GND	42		61	GND
TX8-	<b>43</b>	↔	<b>62</b>	RX8-
TX8+	<b>44</b>	↔	<b>63</b>	RX8+
GND	45		64	GND
Reserved	46		65	NC
VS1	47		66	Reserved
VccRx1	48		67	VccTx1
VS2	49		68	Vcc2
VS3	50		69	Reserved
GND	51		70	GND
RX7+	<b>52</b>	↔	<b>71</b>	TX7+
RX7-	<b>53</b>	↔	<b>72</b>	TX7-
GND	54		73	GND
RX5+	<b>55</b>	↔	<b>74</b>	TX5+
RX5-	<b>56</b>	↔	<b>75</b>	TX5-
GND	57		76	GND

GND	58		39	GND
RX6-	<b>59</b>	↔	<b>40</b>	TX6-
RX6+	<b>60</b>	↔	<b>41</b>	TX6+
GND	61		42	GND
RX8-	<b>62</b>	↔	<b>43</b>	TX8-
RX8+	<b>63</b>	↔	<b>44</b>	TX8+
GND	64		45	GND
NC	65		46	Reserved
Reserved	66		47	VS1
VccTx1	67		48	VccRx1
Vcc2	68		49	VS2
Reserved	69		50	VS3
GND	70		51	GND
TX7+	<b>71</b>	↔	<b>52</b>	RX7+
TX7-	<b>72</b>	↔	<b>53</b>	RX7-
GND	73		54	GND
TX5+	<b>74</b>	↔	<b>55</b>	RX5+
TX5-	<b>75</b>	↔	<b>56</b>	RX5-
GND	76		57	GND

THIS DRAWING IS A CONTROLLED DOCUMENT.		DWN T. SMITH 16OCT2017 CHK K. STAUFFER 16OCT2017 APVD -	 TE Connectivity	
DIMENSIONS: mm 	TOLERANCES UNLESS OTHERWISE SPECIFIED: 0 PLC ± 1 PLC ± 2 PLC ± 3 PLC ± 4 PLC ± ANGLES ±	PRODUCT SPEC APPLICATION SPEC WEIGHT CUSTOMER DRAWING	NAME CABLE ASSY, 30 AWG QSFP-DD	SIZE CAGE CODE DRAWING NO A100779C=2323766
RESTRICTED TO			SCALE 5:1	SHEET 2 OF 3 REV 7

REVISIONS				
P.	LTN	DESCRIPTION	DATE	APVD
		SEE SHEET 1		

2323766_C				STOCK DISPOSITION				
DRAWING TITLE				A: CONTINUE AS IS	D: USE OLD FIRST			
REVISION HISTORY				B: REWORK	E: PARTS TO CONFORM			
C: SCRAP				F: OTHER				
DATE	REV	CHANGES	REASON	APPROVAL	INVENTORY (A,B,C,D,E,F)	WORK IN PROCESS (A,B,C,F)	SUPPLIER ORDERS (A,E,F)	OPEN CUST ORDERS (A,E,F)
16OCT2017	1	INITIAL DRAWING	PRELIMINARY	TS/KS	-	-	-	-
19JUL2018	2	CHANGE FROM BELDEN CABLE TO TE CABLE, REVISED LENGTH TOLERANCE	DESIGN CHANGE	DB/KS	A	A	E	E
31DEC2018	4	UPDATE QDD PULL TAB, UPDATE BACK SHELL PER MSA4.0	DESIGN UPDATE	NN	E	E	E	E
7MAR2019	7	ADD DASH -5/6/7 FOR 0.75M, 1.25M AND 1.75M	DESIGN UPDATE	NN	E	E	E	E

THIS DRAWING IS A CONTROLLED DOCUMENT.		DWN T. SMITH 16OCT2017 CHK K. STAUFFER 16OCT2017 APVD -	
DIMENSIONS: mm 	TOLERANCES UNLESS OTHERWISE SPECIFIED: 0 PLC ± 1 PLC ± 2 PLC ± 3 PLC ± 4 PLC ± ANGLES ± FINISH -	PRODUCT SPEC - APPLICATION SPEC - WEIGHT - CUSTOMER DRAWING	NAME CABLE ASSY, 30 AWG QSPF-DD SIZE A1 CAGE CODE 00779 DRAWING NO. 2323766 RESTRICTED TO
4805 (3/13)		SCALE 5:1	SHEET 3 OF 3
		REV 7	