




Molded-plastic enclosure for surface mounting with EMERGENCY-STOP rotary operating mechanism 72 mm, with metric cable gland No UL/CSA approval



Figure similar

General technical data		
Product designation		ISO surface-mounted housing with EMERGENCY OFF
Design of the product		Assembly
Material of the enclosure		plastic
Protection class IP of the enclosure		IP55
Product component transparent cover		No
Installation/ mounting/ dimensions		
Width	mm	105
Height	mm	155
Depth	mm	126
Certificates/ approvals		

Declaration of Conformity	Test Certificates	Shipping Approval	other
 EG-Konf.	<a href="#">Miscellaneous</a> <a href="#">Special Test Certificate</a>	 ABS  RMRS	<a href="#">Confirmation</a>

other
<a href="#">Miscellaneous</a>

### Further information

**Information- and Downloadcenter (Catalogs, Brochures,...)**

<https://www.siemens.com/ic10>

**Industry Mall (Online ordering system)**

<https://mall.industry.siemens.com/mall/en/en/Catalog/product?mlfb=3RV1923-1GA00>

**Cax online generator**

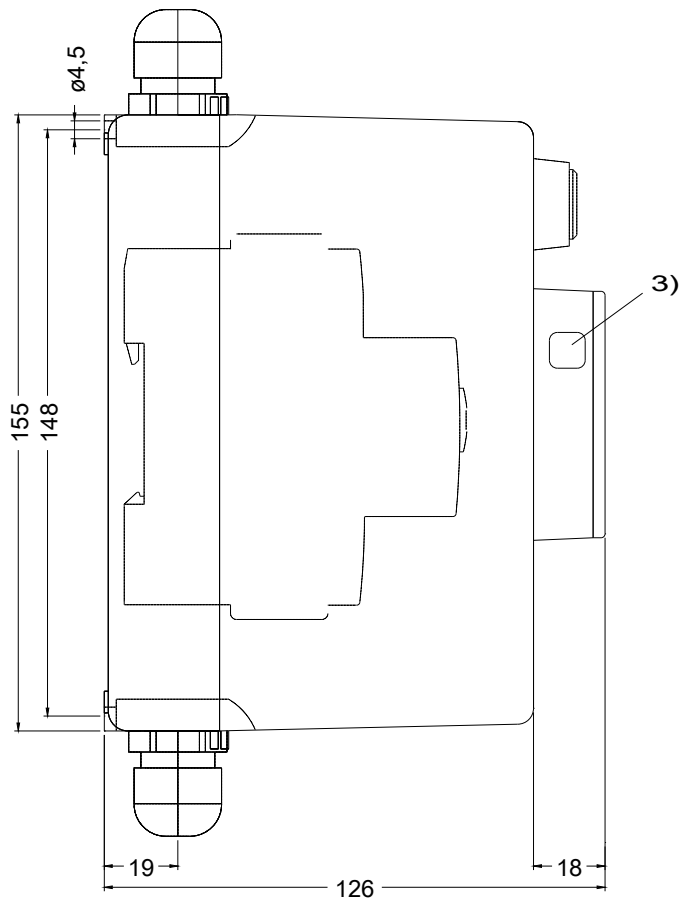
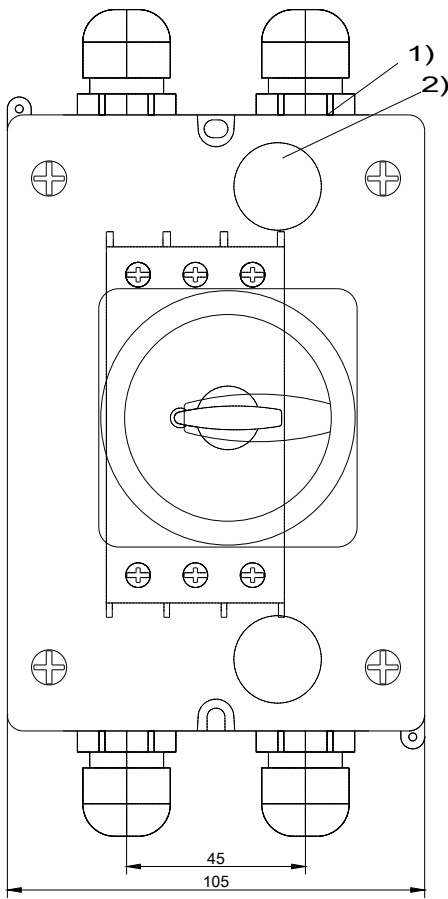
<http://support.automation.siemens.com/WW/CAXorder/default.aspx?lang=en&mlfb=3RV1923-1GA00>

**Service&Support (Manuals, Certificates, Characteristics, FAQs,...)**

<https://support.industry.siemens.com/cs/ww/en/ps/3RV1923-1GA00>

**Image database (product images, 2D dimension drawings, 3D models, device circuit diagrams, EPLAN macros, ...)**

[http://www.automation.siemens.com/bilddb/cax\\_de.aspx?mlfb=3RV1923-1GA00&lang=en](http://www.automation.siemens.com/bilddb/cax_de.aspx?mlfb=3RV1923-1GA00&lang=en)



- 1) Ausbrechoeffnung fuer Verschraubung M25
- 2) Ausbrechoeffnung fuer rueckseitige Leitungseinfuehrung
- 3) Oeffnung fuer Vorhaengeschoess mit Buegeldurchmesser max. 8 mm

last modified:

01/15/2020