

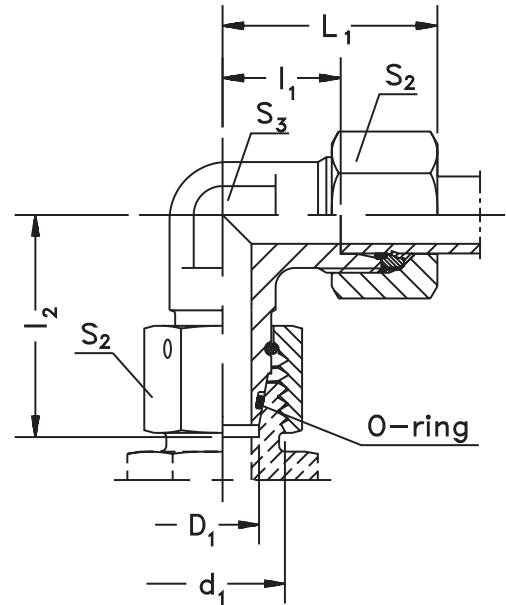
Swivel Nut Elbow Fitting

EW

Metric Tube End / EO Swivel

EW - Assembled fitting
EW/OMD - Fitting minus nut and sleeve

All dimensions are in millimeters



Part no.	Series Working Pressure (bar/psi)	Tube o.d. D1	d1 thread	I1	I2	L1	S2	S3	O-ring	Standard Material From Stock			Standard EO-2 From Stock	
										S	SS	B	S	SS
EW06LA3C	L	6	M12 x 1.5	12	26	27	14	12	OR4.5 x 1.5X	•	•		•	•
EW08LA3C	light	8	M14 x 1.5	14	27.5	29	17	12	OR6.5 x 1.5X	•	•		•	•
EW10LA3C	315 bar	10	M16 x 1.5	15	29	30	19	14	OR8 x 1.5X	•	•		•	•
EW12LA3C	4560 psi	12	M18 x 1.5	17	29.5	32	22	17	OR10 x 1.5X	•	•		•	•
EW15LA3C		15	M22 x 1.5	21	32.5	36	27	19	OR12 x 2X	•	•		•	•
EW18LA3C		18	M26 x 1.5	23.5	35.5	40	32	24	OR15 x 2X	•	•		•	•
EW22LA3C	160 bar	22	M30 x 2	27.5	38.5	44	36	27	OR20 x 2X	•	•		•	•
EW28LA3C	2320 psi	28	M36 x 2	30.5	41.5	47	41	36	OR26 x 2X	•	•		•	•
EW35LA3C		35	M45 x 2	34.5	51	56	50	41	OR32 x 2.5X	•	•		•	•
EW42LA3C		42	M52 x 2	40	56	63	60	50	OR38 x 2.5X	•	•		•	•
EW06SA3C	S	6	M14 x 1.5	16	27	31	17	12	OR4.5 x 1.5X	•	•		•	•
EW08SA3C	heavy	8	M16 x 1.5	17	27.5	32	19	14	OR6.5 x 1.5X	•	•		•	•
EW10SA3C	630 bar	10	M18 x 1.5	17.5	30	34	22	17	OR8 x 1.5X	•	•		•	•
EW12SA3C	9130 psi	12	M20 x 1.5	21.5	31	38	24	17	OR10 x 1.5X	•	•		•	•
EW14SA3C		14	M22 x 1.5	22	35	40	27	19	OR11 x 2X	•	•		•	•
EW16SA3C	400 bar	16	M24 x 1.5	24.5	36.5	43	30	24	OR13 x 2X	•	•		•	•
EW20SA3C	5800 psi	20	M30 x 2	26.5	44.5	48	36	27	OR16.3 x 2.4X	•	•		•	•
EW25SA3C		25	M36 x 2	30	50	54	46	36	OR20.3 x 2.4X	•	•		•	•
EW30SA3C		30	M42 x 2	35.5	55	62	50	41	OR25.3 x 2.4X	•	•		•	•
EW38SA3C	315 bar 4560 psi	38	M52 x 2	41	63	72	60	50	OR33.3 x 2.4X	•	•		•	•

Dimensions given are approx. figures with tightened nut.

EO-2 Part Number example: EW06ZLA3C

* Temperature range without pressure reductions for fittings with O-ring sealing of NBR (e.g., buna N-standard) -35° up to +100°C, FPM (e.g., Viton on request) -25° up to +120°C.