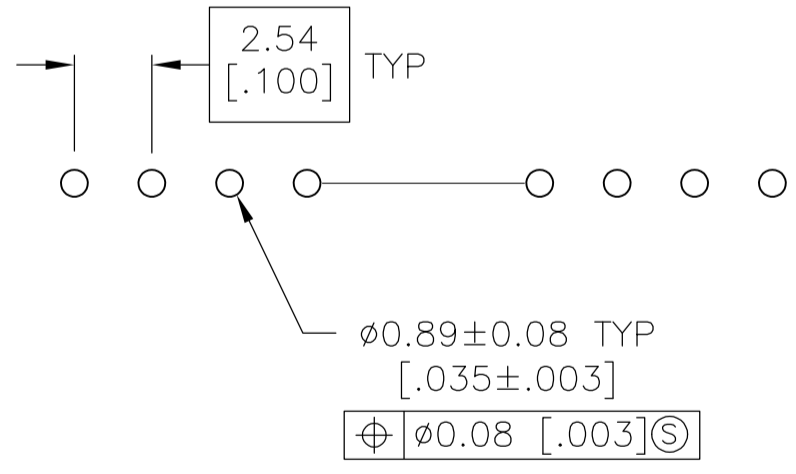
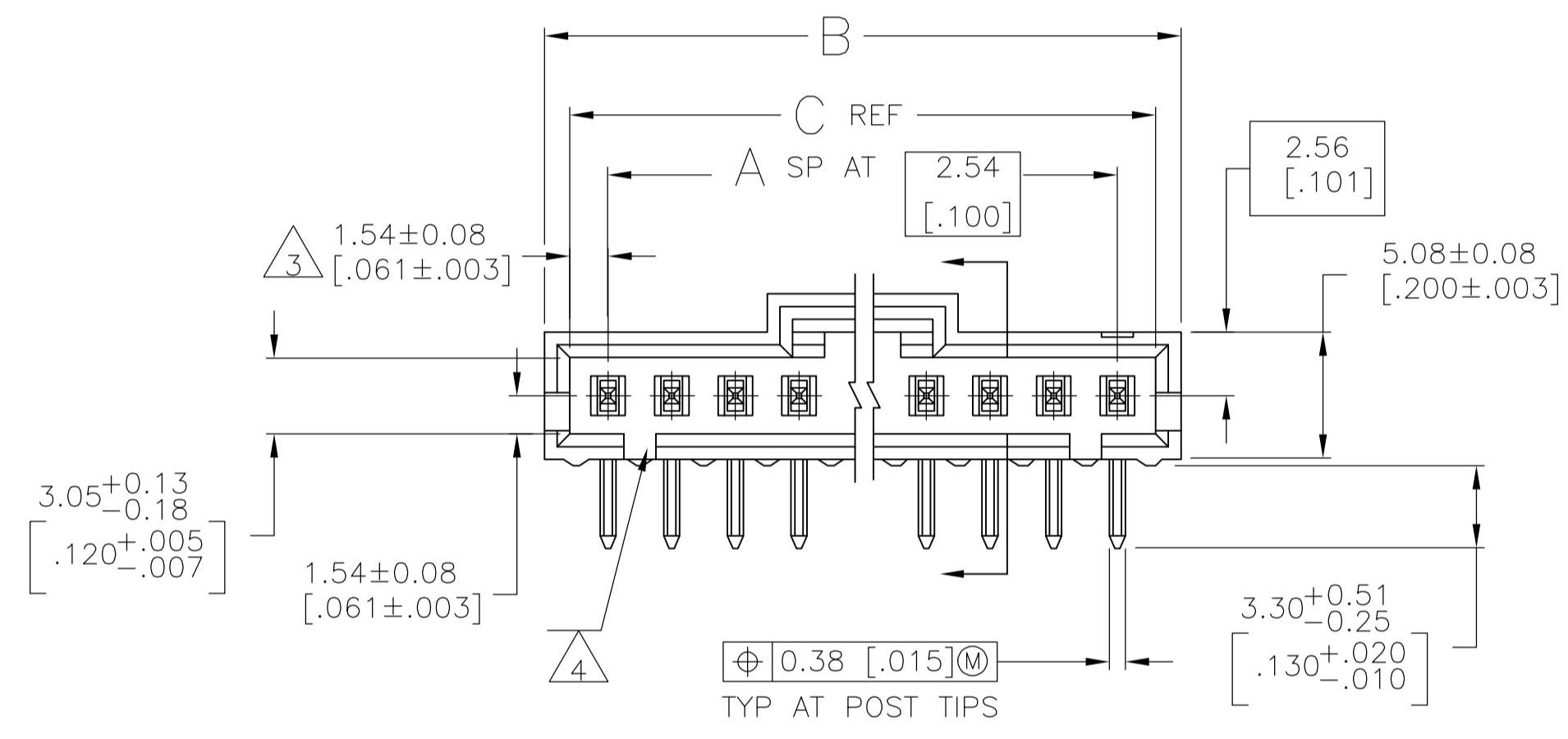
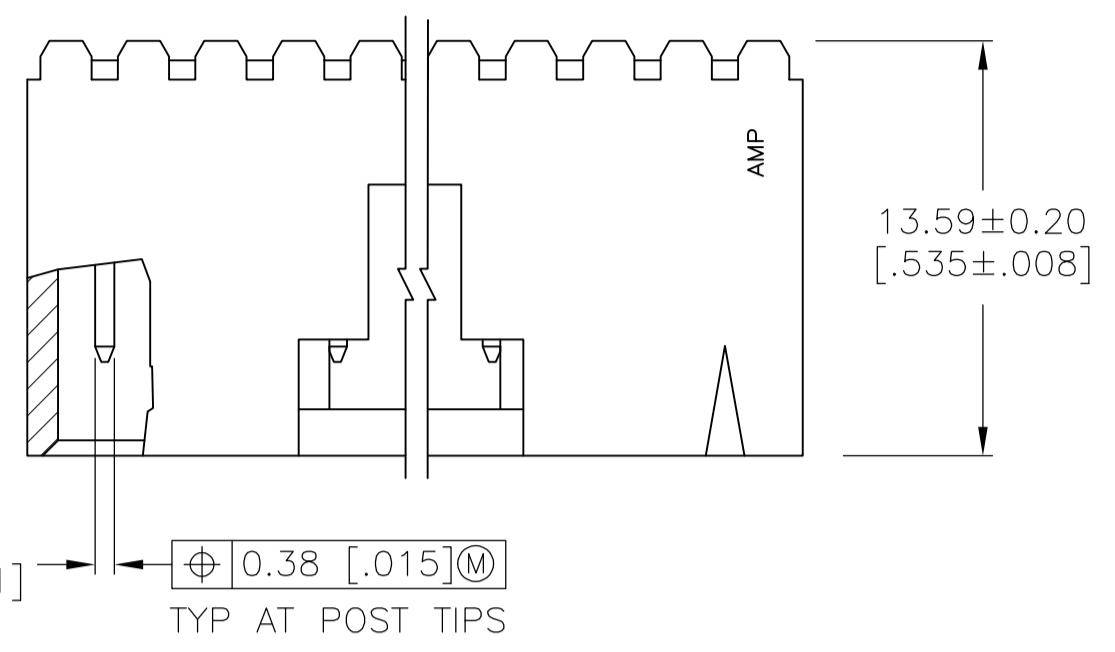
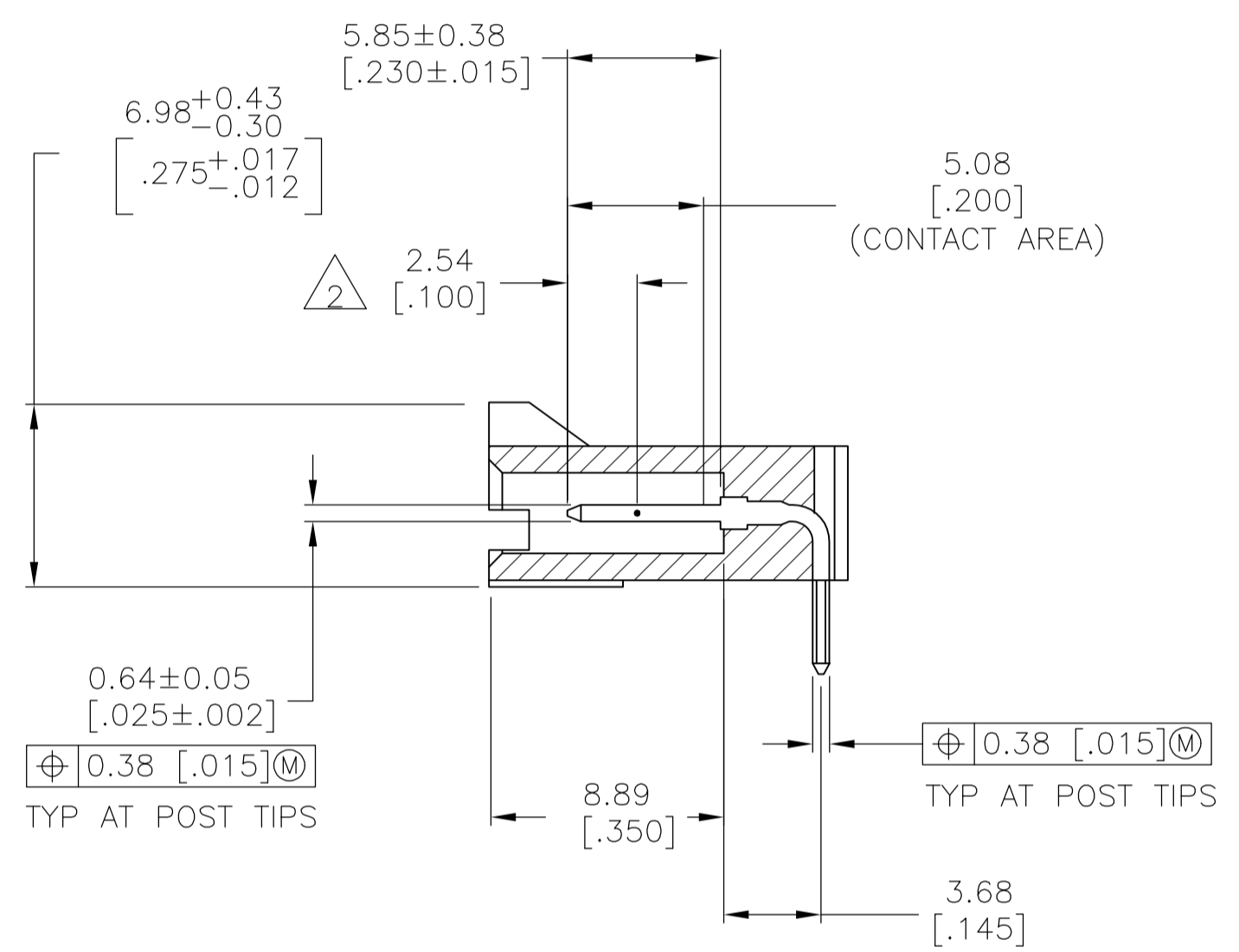


LOC		DIST		REVISIONS			
AD	00	F	LTR	DESCRIPTION	DATE	DN	APVD
		S2		REVISED PER ECO-11-004587	11MAR11	RK	HMR



RECOMMENDED HOLE LAYOUT



- 1 .00038 [.000015] GOLD IN THE CONTACT AREA, .00254 [.000100] MATTE TIN-LEAD ON THE REMAINDER OF CONTACT, ALL OVER .00127 [.000050] NICKEL.
- 2 POINT OF MEASUREMENT FOR PLATING THICKNESS.
- 3 THE NOTED DIMENSIONS APPLY AT THE INTERSECTION OF THE POST AND THE HOUSING.
- 4 ON ASSEMBLIES WITH FOUR OR MORE POSITIONS, TWO POLARIZATION SLOTS. ON ASSEMBLIES WITH TWO OR THREE POSITIONS, ONE POLARIZATION SLOT.
- 5 .00038 [.000015] GOLD IN THE CONTACT AREA, .00254 [.000100] MATTE TIN ON THE REMAINDER OF CONTACT, ALL OVER .00127 [.000050] NICKEL.
- 6 HIGH TEMPERATURE CONFIGURATION
- 7 OBSOLETE PARTS: OBSOLETE CIS STREAMLINING PER D.RENAUD/D.SINISI

REV	DESCRIPTION	DATE	DN	APVD	PART NO.	
1		64.01 [2.520]	66.04 [2.600]	24	25	2-103635-4
1		61.47 [2.420]	63.50 [2.500]	23	24	2-103635-3
1		58.93 [2.320]	60.96 [2.400]	22	23	2-103635-2
1		56.39 [2.220]	58.42 [2.300]	21	22	2-103635-1
1		53.85 [2.120]	55.88 [2.200]	20	21	2-103635-0
1		51.31 [2.020]	53.34 [2.100]	19	20	1-103635-9
1		48.77 [1.920]	50.80 [2.000]	18	19	1-103635-8
1		46.23 [1.820]	48.26 [1.900]	17	18	1-103635-7
1		43.69 [1.720]	45.72 [1.800]	16	17	1-103635-6
1		41.15 [1.620]	43.18 [1.700]	15	16	1-103635-5
1		38.61 [1.520]	40.64 [1.600]	14	15	1-103635-4
1		36.07 [1.420]	38.10 [1.500]	13	14	1-103635-3
1		33.53 [1.320]	35.56 [1.400]	12	13	1-103635-2
1		30.99 [1.220]	33.02 [1.300]	11	12	1-103635-1
1		28.45 [1.120]	30.48 [1.200]	10	11	1-103635-0
1		25.91 [1.020]	27.94 [1.100]	9	10	103635-9
1		23.37 [.920]	25.40 [1.000]	8	9	103635-8
1		20.83 [.820]	22.86 [.900]	7	8	103635-7
1		18.29 [.720]	20.32 [.800]	6	7	103635-6
1		15.75 [.620]	17.78 [.700]	5	6	103635-5
1		13.21 [.520]	15.24 [.600]	4	5	103635-4
1		10.67 [.420]	12.70 [.500]	3	4	103635-3
1		8.13 [.320]	10.16 [.400]	2	3	103635-2
1		5.59 [.220]	7.62 [.300]	1	2	103635-1
	PLATING	C	B	A	NO. OF POSN	PART NO.

THIS DRAWING IS A CONTROLLED DOCUMENT.

DIN S. SHUEY 5-3-91  
 CIRK L. CASTAGNA 27-3-91

TE Connectivity

APVD L. CASTAGNA 27-3-91

NAME HDR ASSY, RTANG, SINGLE ROW  
 PRODUCT SPEC 2.54[.100] C/L, 0.64[.025] SQ POST,  
 108-25034 WITH PLZN & LATCHING, AMPMODU MTE

APPLICATION SPEC 114-25026

SIZE A1 CAGE CODE 00779 DRAWING NO. 103635 RESTRICTED TO

WEIGHT -

MATERIAL HOUSING: BISMUTH  
 TUNGSTEN  
 COPPER-BRASS  
 CONTACTS: BRASS

FINISH SEE TABLE

SCALE 4:1 SHEET 1 OF 2 REV S2

LOC		DIST		REVISIONS			
P	LYR	DESCRIPTION	DATE	DMN	APVO		
-	-	SEE SHEET 1	-	-	-	-	-

	△6	△5	64.01 [2.520]	66.04 [2.600]	24	25	7-103635-4	
	△6	△5	61.47 [2.420]	63.50 [2.500]	23	24	7-103635-3	
△7	OBSOLETE	△6	△5	58.93 [2.320]	60.96 [2.400]	22	23	<del>7-103635-2</del>
	△6	△5	56.39 [2.220]	58.42 [2.300]	21	22	7-103635-1	
△7	OBSOLETE	△6	△5	53.85 [2.120]	55.88 [2.200]	20	21	<del>7-103635-0</del>
	△6	△5	51.31 [2.020]	53.34 [2.100]	19	20	6-103635-9	
△7	OBSOLETE	△6	△5	48.77 [1.920]	50.80 [2.000]	18	19	<del>6-103635-8</del>
	△6	△5	46.23 [1.820]	48.26 [1.900]	17	18	6-103635-7	
	△6	△5	43.69 [1.720]	45.72 [1.800]	16	17	6-103635-6	
	△6	△5	41.15 [1.620]	43.18 [1.700]	15	16	6-103635-5	
	△6	△5	38.61 [1.520]	40.64 [1.600]	14	15	6-103635-4	
	△6	△5	36.07 [1.420]	38.10 [1.500]	13	14	6-103635-3	
	△6	△5	33.53 [1.320]	35.56 [1.400]	12	13	6-103635-2	
	△6	△5	30.99 [1.220]	33.02 [1.300]	11	12	6-103635-1	
	△6	△5	28.45 [1.120]	30.48 [1.200]	10	11	6-103635-0	
	△6	△5	25.91 [1.020]	27.94 [1.100]	9	10	5-103635-9	
	△6	△5	23.37 [.920]	25.40 [1.000]	8	9	5-103635-8	
	△6	△5	20.83 [.820]	22.86 [.900]	7	8	5-103635-7	
	△6	△5	18.29 [.720]	20.32 [.800]	6	7	5-103635-6	
	△6	△5	15.75 [.620]	17.78 [.700]	5	6	5-103635-5	
	△6	△5	13.21 [.520]	15.24 [.600]	4	5	5-103635-4	
	△6	△5	10.67 [.420]	12.70 [.500]	3	4	5-103635-3	
	△6	△5	8.13 [.320]	10.16 [.400]	2	3	5-103635-2	
	△6	△5	5.59 [.220]	7.62 [.300]	1	2	5-103635-1	
	REMARKS	PLATING	C	B	A	NO. OF POSN	PART NO.	

THIS DRAWING IS A CONTROLLED DOCUMENT.		DMN S. SHUEY 27-3-91	5-3-91	<b>STE</b> TE Connectivity
DIMENSIONS: mm [INCHES]		CHK L. CASTAGNA 27-3-91	APVO L. CASTAGNA 27-3-91	
TOLERANCES UNLESS OTHERWISE SPECIFIED: 0. PLC ± - 1. PLC ± - 2. PLC ± - 3. PLC ± - 4. PLC ± - ANGLES ± -		NAME HDR ASSY, RTANG, SINGLE ROW 2.54[.100] C/L, 0.64[.025] SQ POST, WITH PLZN & LATCHING, AMPMODU MTE		RESTRICTED TO
MATERIAL: HOLDING: PLATE RETAINMENT: CLEAN: BLACK CONDUCT: BRASS		APPLICATION SPEC 114-25026		
FINISH SEE TABLE		WEIGHT -		SIZE A1
CUSTOMER DRAWING		SCALE 1:1		SHEET 2 OF 2
		DRAWING NO. 100779		REV 2
		DRAWING NO. 103635		