

BDN SERIES

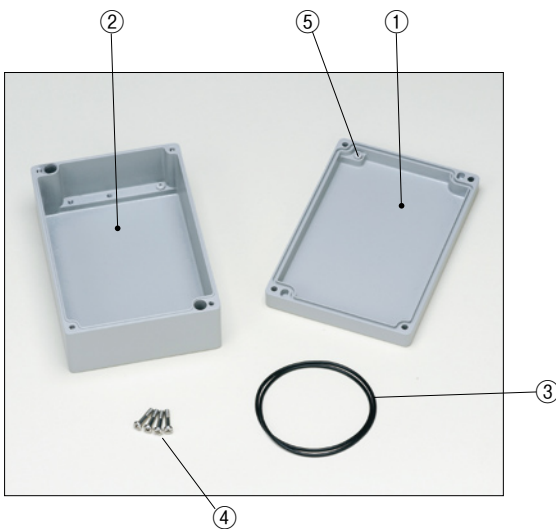
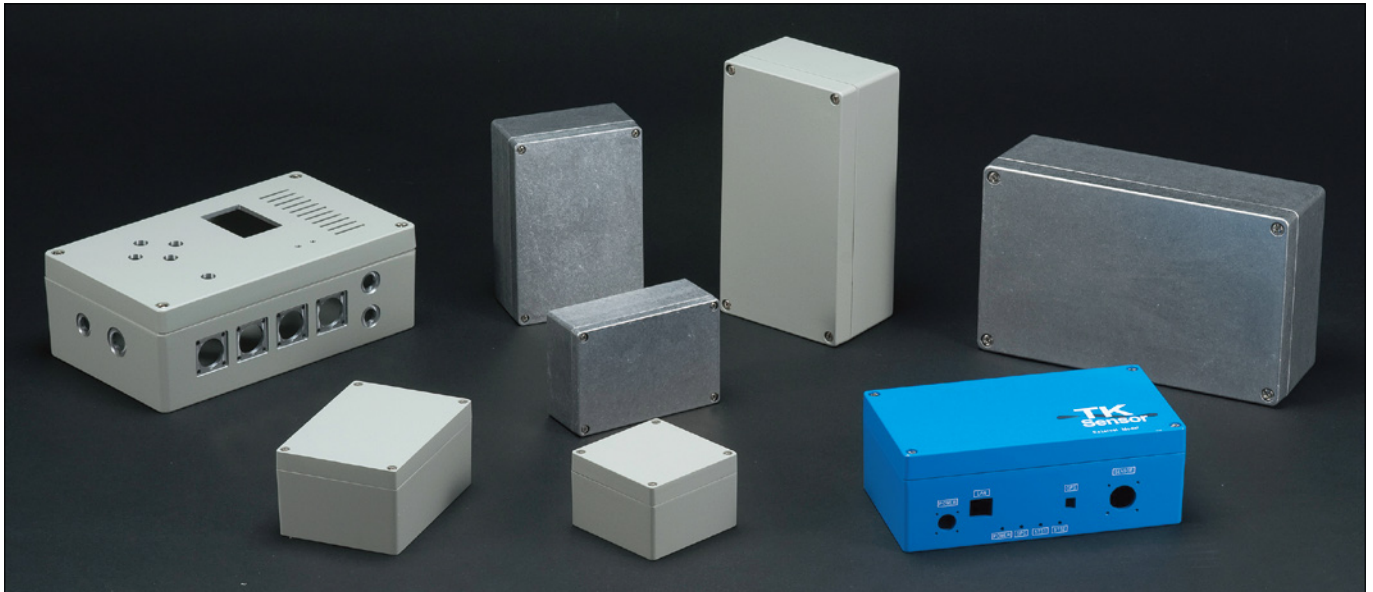
■ Technical data ■

IP67

Operating temperature -40°C~+105°C

Maximum torque 1.0N · m (10kgf · cm)

BDN ALUMINIUM DIE-CAST BOX



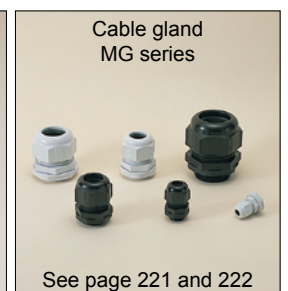
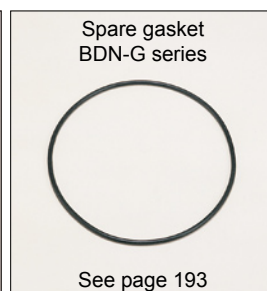
FEATURE

- IP67 rated waterproof and tough die-casted box.
- Durable weather resistance, tough powder-coated surface, and silicone O-ring applied against heat resistance.
- Suitable for EMI/RFI shield coating.

Components

Ref. #	Part name	Pcs	Material	Color / Finish
1	Top cover	1	Die-cast aluminium	Light gray powder coated · Unfinished
2	Base	1	Die-cast aluminium	Light gray powder coated · Unfinished
3	Gasket	1	Silicone	Black
4	Screw	4	Stainless steel	Unfinished
5	Ground Screw	2	Steel M4	Copper plated

Accessories (Optional parts)

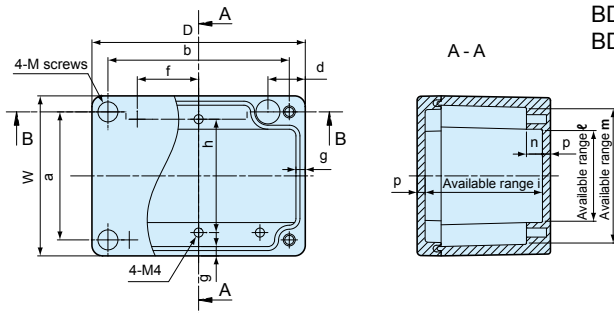


BDN Dimensions

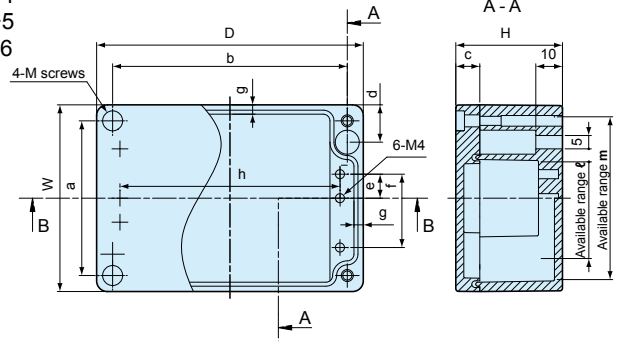
• CAD data is downloadable from our web.

BDN SERIES

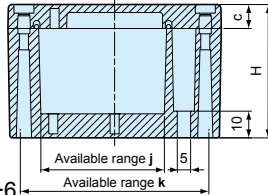
BDN 6-8-5



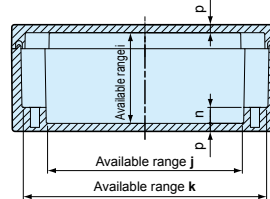
BDN 7-10-4
BDN 9-13-5
BDN11-16-6



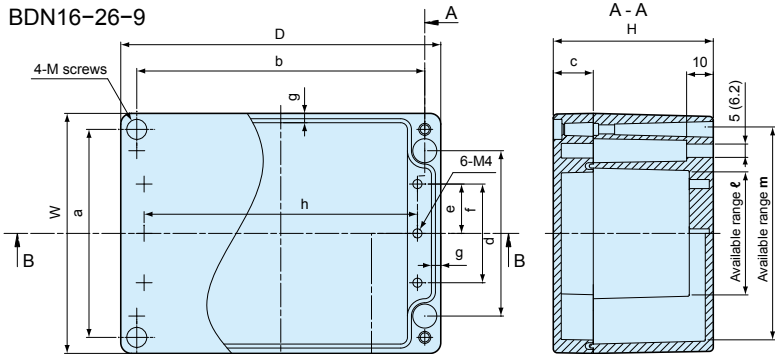
B - B



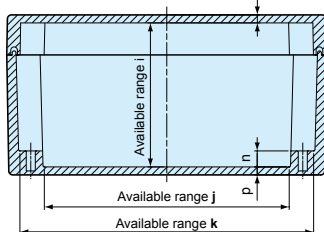
B - B



BDN 9- 9-6
BDN10-14-7
BDN12-22-8
BDN16-26-9



B - B



Color Type

※ () dimensions = BDN12-22-8
BDN16-26-9

Color Type

Color code	Top cover · Base
G	Light gray
N	Unfinished

Part no. / Dimensions

- Please suffix color code at the end of part number □ when ordering BDN series.
- Weight tolerance ± 5%, depending on the molding condition.

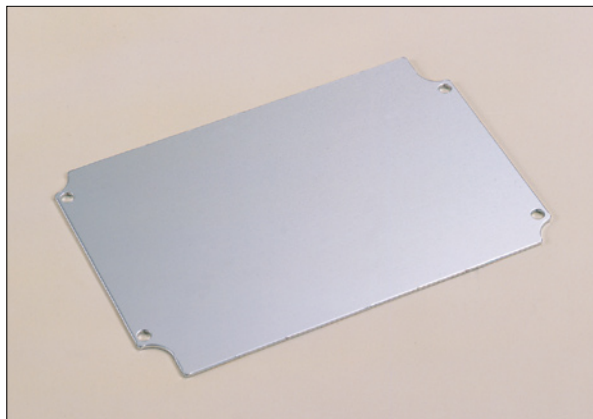
Part no.	W	D	H	a	b	c	Weight (g)
BDN 6- 8-5□	60	80	50	48	68	9	240
BDN 7-10-4□	70	100	40	58	88	9	250
BDN 9- 9-6□	90	90	60	78	78	15	395
BDN 9-13-5□	90	130	50	78	118	9	420
BDN10-14-7□	100	140	70	88	128	15	635
BDN11-16-6□	110	160	60	98	148	15	640
BDN12-22-8□	120	220	80	105	205	20	1,155
BDN16-26-9□	160	260	90	140	240	20	2,145

Part no.	d	e	f	g	h	i	j	k	ℓ	m	n	p	M
BDN 6- 8-5□	14	—	23	3.5	42.5	44	45	71	33	51	6	3	M4
BDN 7-10-4□	14	11	31	3	85	34	75	92.5	38	62.5	6	3	M4
BDN 9- 9-6□	62	18.5	37	3.5	72	54	62	80	45	80	6	3	M4
BDN 9-13-5□	14	19	47.5	3.5	112.5	44	104	121	56	81	6	3	M4
BDN10-14-7□	72	24	48	3.5	121	64	111	130	56	90	6	3	M4
BDN11-16-6□	14	29	67.5	3.5	142.5	54	134	151	76	101	6	3	M4
BDN12-22-8□	84.6	28	56	3.9	196	74	183	206	62	105	6	3	M5
BDN16-26-9□	110	36	72	4.8	230	82	216	247	87	146	9	4	M6

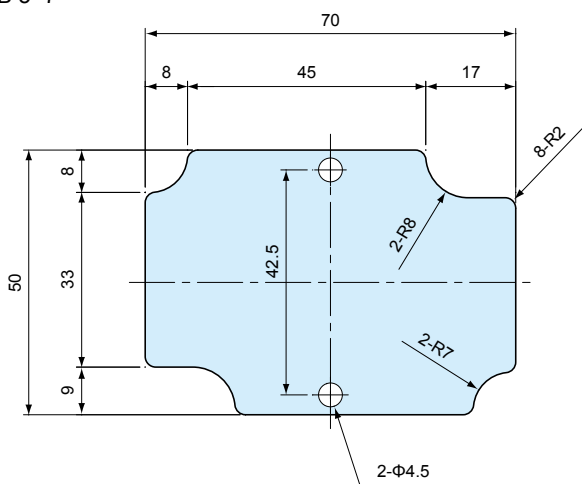
FTB SERIES

FTB MOUNTING PLATE FOR BDN

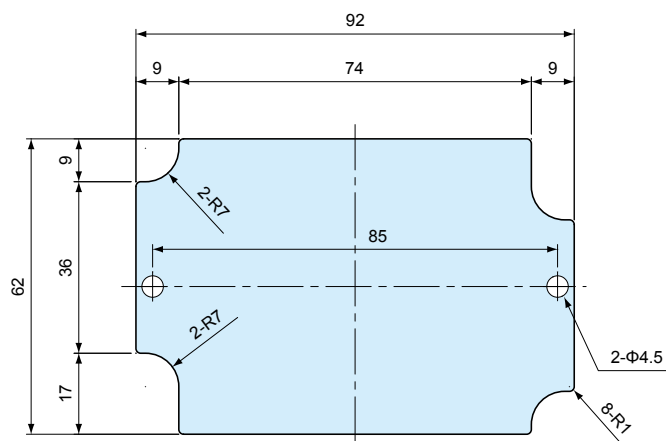
• CAD data is downloadable from our web.



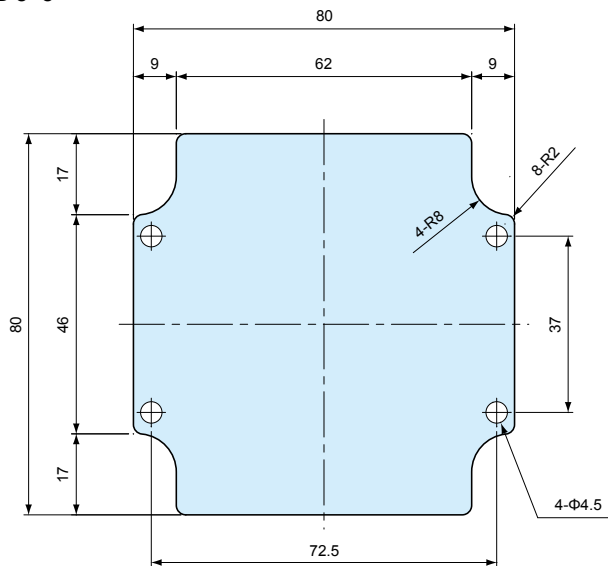
FTB 5-7



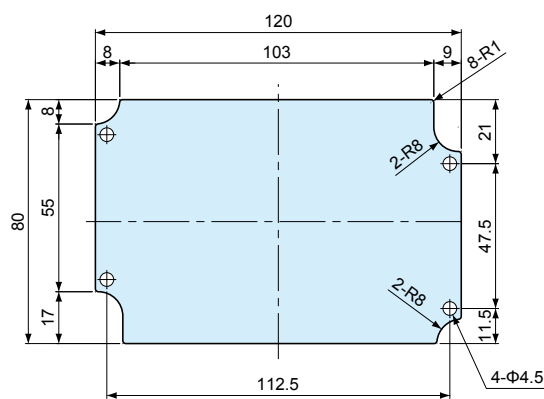
FTB 6-9



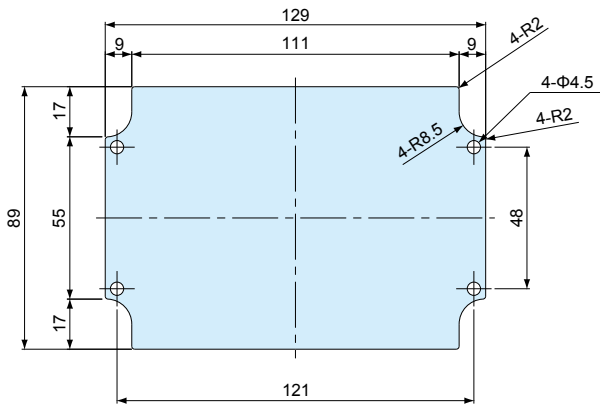
FTB 8-8



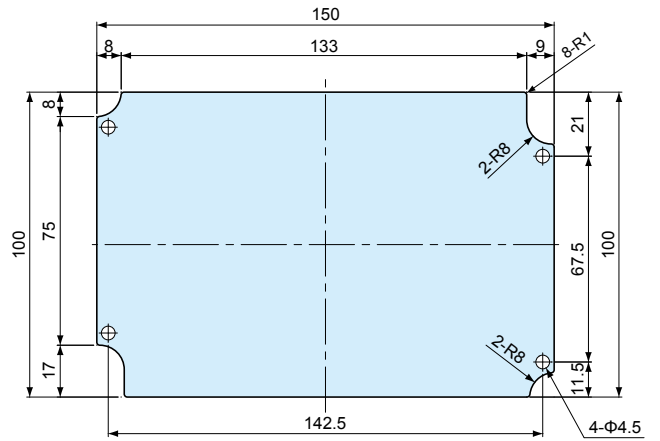
FTB 8-12



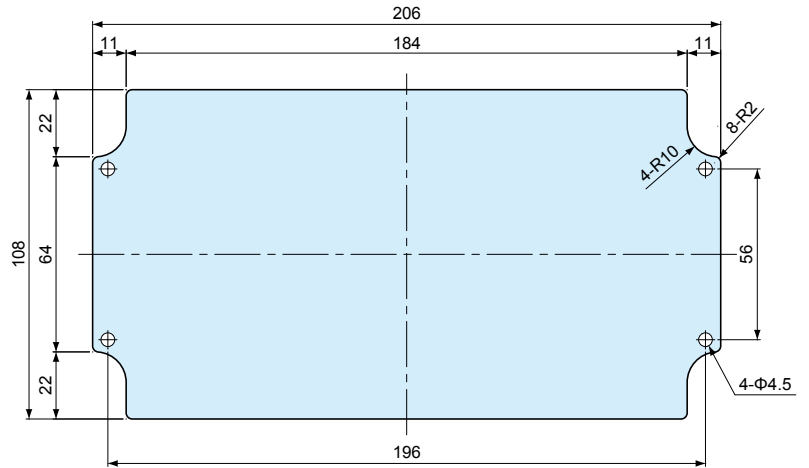
FTB 9-13



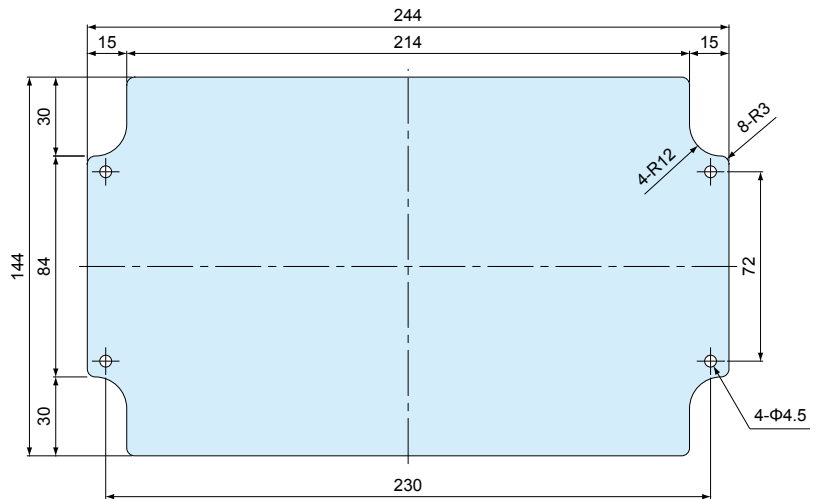
FTB 10-15



FTB 10-20



FTB 14-24



Part no. / Dimensions

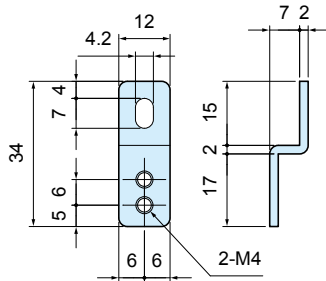
Part no.	Suitable box	Pcs	W	D	Material	Finish
FTB 5- 7	BDN 6- 8-5	1	50	70	Aluminium t1.5	Silver anodized
FTB 6- 9	BDN 7- 10-4	1	62	92		
FTB 8- 8	BDN 9- 9-6	1	80	80		
FTB 8-12	BDN 9- 13-5	1	80	120		
FTB 9-13	BDN10- 14-7	1	89	129		
FTB10- 15	BDN 11- 16-6	1	100	150		
FTB10- 20	BDN12- 22-8	1	108	206		
FTB14- 24	BDN16- 26-9	1	144	244		

CK·MT·BDN-G SERIES

BDN Optional parts

CK MOUNTING BRACKET FOR BDN

CK-34Z

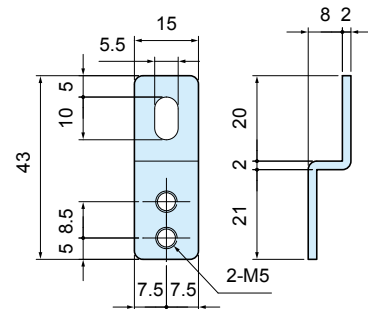


Part no. / Dimensions

1set = 4pcs

Part no.	Material	Finish	Sales unit
CK-34Z	Stainless steel	Unfinished	4

CK-35Z



Part no. / Dimensions

1set = 4pcs

Part no.	Material	Finish	Sales unit
CK-35Z	Stainless steel	Unfinished	4

MT MOUNTING SCREW



• Mounting screw for CK bracket.

Available mounting bracket and screw

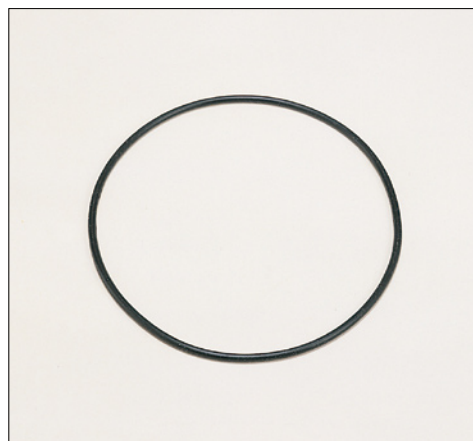
Box part No.	Mounting bracket Part no.	Screw part No.
BDN 6- 8-5	CK-34Z	MT4-14
BDN 7-10-4	CK-34Z	MT4-14
BDN 9- 9-6	CK-34Z	MT4-14
BDN 9-13-5	CK-34Z	MT4-14
BDN10-14-7	CK-34Z	MT4-14
BDN11-16-6	CK-34Z	MT4-14
BDN12-22-8	CK-35Z	MT5-14
BDN16-26-9	CK-35Z	MT5-14

Part no. / Dimensions

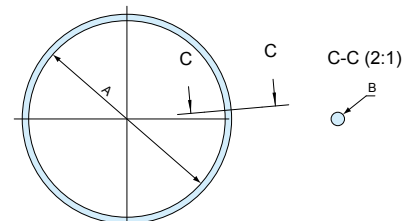
1set = 4pcs

Part no.	Size	Material	Sales unit
MT4-14	M4 × 14	Stainless steel	4
MT5-14	M5 × 14	Stainless steel	4

BDN-G SILICONE O-RING FOR BDN



• Spare gasket.



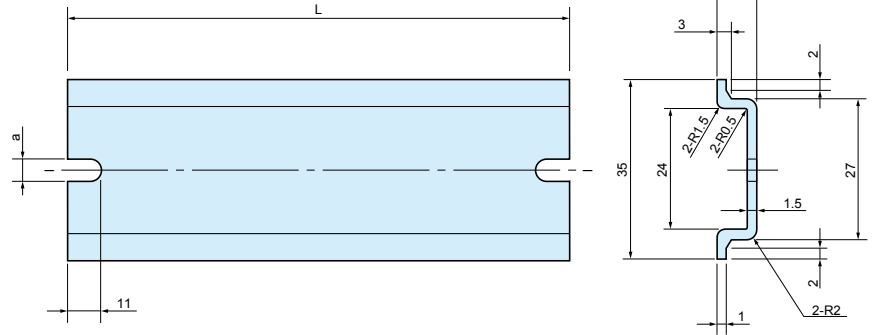
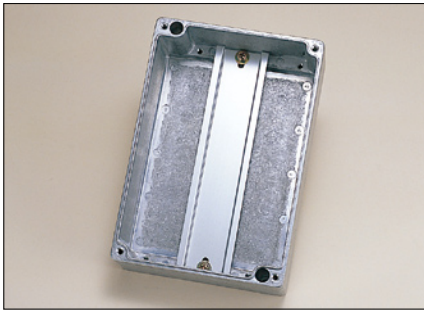
Part no. / Dimensions

Part no.	Pcs	ΦA	ΦB	Material	Color	Box part No.
BDN-G0608	1	73.2	2.4	Silicone	Black	BDN 6- 8-5
BDN-G0710	1	92.3	2.4			BDN 7-10-4
BDN-G0909	1	98.4	2.4			BDN 9- 9-6
BDN-G0913	1	124.1	2.4			BDN 9-13-5
BDN-G1014	1	136.6	2.4			BDN10- 14-7
BDN-G1116	1	156	2.4			BDN11- 16-6
BDN-G1222	1	196.8	3			BDN12- 22-8
BDN-G1626	1	243	3.5			BDN16- 26-9

BDN Optional parts

FDR·TKR SERIES

FDR DIN-RAIL FOR BDN

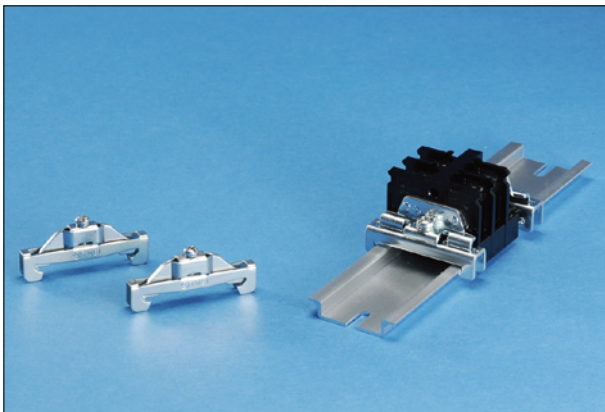


- Can install Din-rail module, terminal block.

Part no. / Dimensions

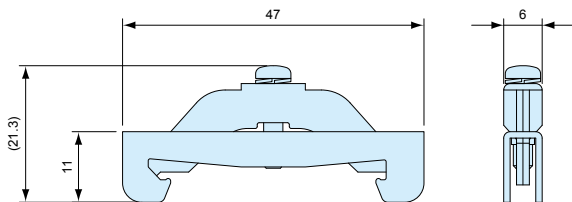
Part no.	Material	Finish	Sales unit	L	a	Box part No.
FDR- 50	Aluminium	Silver anodized	1	50	4.2	BDN 6- 8-5
FDR- 80			1	80	4.2	BDN 9- 9-6
FDR-120			1	120	4.2	BDN 9-13-5
FDR-128			1	128	4.2	BDN10-14-7
FDR-150			1	150	4.2	BDN11-16-6
FDR-205			1	205	4.2	BDN12-22-8
FDR-242			1	242	4.2	BDN16-26-9

TKR TERMINAL BLOCK STOPPER

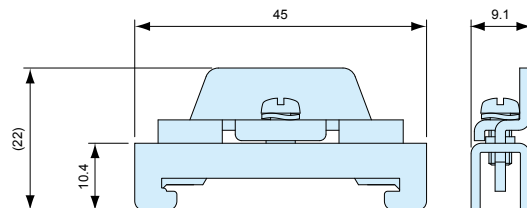


- Mounting hardware to fix terminal block to 35mm DIN-rail.

TKR-TWE1



TKR-JTXE3



Part no. / Dimensions

1pack = 2pcs

Part no.	Material	Color / Finish	Sales unit
TKR-TWE1	Steel	Trivalent chromate	2
TKR-JTXE3	Steel	Trivalent chromate	2