

**PLEASE CHECK WWW.MOLEX.COM FOR LATEST PART INFORMATION**

**Part Number:** [73412-0508](#)  
**Status:** **Active**  
**Overview:** RF/Microwave Products  
**Description:** Microcoaxial-to-Microcoaxial, 0.81mm Cable Diameter, Length 55.00mm, 50 Ohms

**Documents:**

[Drawing \(PDF\)](#) [RoHS Certificate of Compliance \(PDF\)](#)

**General**

Product Family	Cable Assemblies
Series	<a href="#">73412</a>
Assembly Configuration	Dual Ended Connectors
Connector to Connector	Microcoaxial-to-Microcoaxial
Overview	<a href="#">RF/Microwave Products</a>
Product Name	Microcoaxial Plug, RF
UPC	822350569415

**Physical**

Cable Length	50.00mm
Circuits (Loaded)	0
Gender	Plug/Plug
Material - Metal	Phosphor Bronze
Material - Plating Mating	Gold
Net Weight	0.280/g
Packaging Type	Bag
Single Ended	No
Wire/Cable Type	N/A

**Electrical**

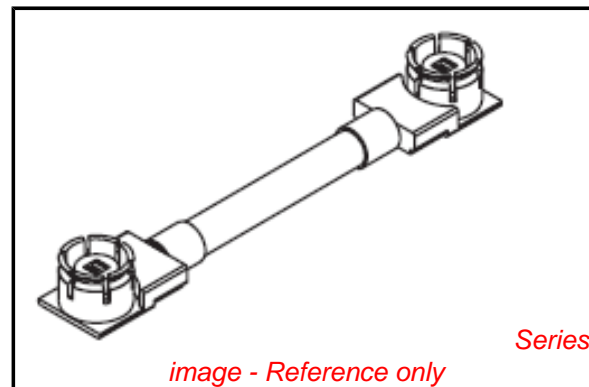
Impedance	50#
-----------	-----

**Material Info**

Old Part Number	73412-0580
-----------------	------------

**Reference - Drawing Numbers**

Sales Drawing	SD-73118-025, SD-73412-050
---------------	----------------------------



**EU RoHS**

**RoHS Compliant RF Product**  
**REACH SVHC**  
**Contains SVHC: No**  
**Low-Halogen Status**  
**Low-Halogen**

**China RoHS**



**Need more information on product environmental compliance?**

Email [productcompliance@molex.com](mailto:productcompliance@molex.com)  
 For a multiple part number RoHS Certificate of Compliance, [click here](#)

Please visit the [Contact Us](#) section for any non-product compliance questions.

**Search Parts in this Series**  
[73412Series](#)