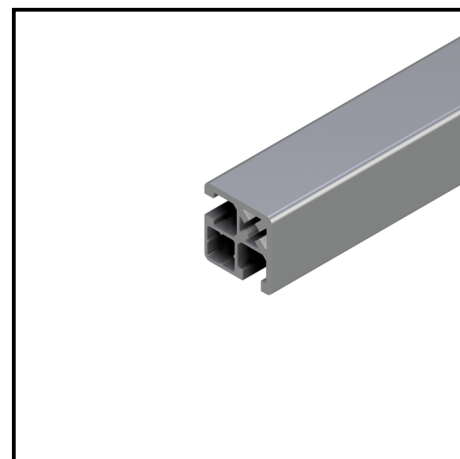
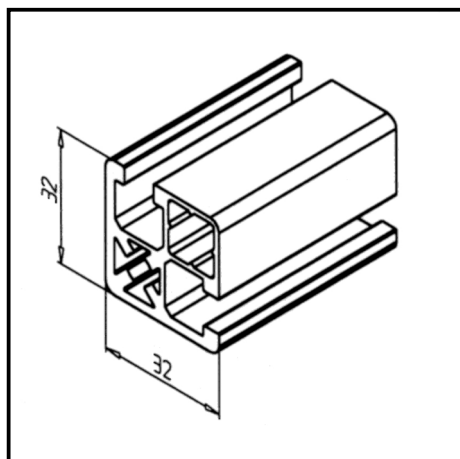


PROFILE 32 X 32 UL

Article Nr. 20.1064/0

See the product on the website →

Download CAD Files →



APPLICATIONS

- Weight-optimized constructions
- End table
- Swivel, lifting and sliding doors
- Bracings

TECHN. DATA / ITEMS SUPPLIED

- Aluminium, extruded, anodized E6/EV1
- $I_x = 4.1 \text{ cm}^4$
- $I_y = 4.1 \text{ cm}^4$
- $w_x = 2.267 \text{ cm}^3$
- $w_y = 2.267 \text{ cm}^3$
- $IT = 3.260 \text{ cm}^4$
- Weight = 1.052 kg/m
- Packing unit = 48 m

ASSEMBLY

- MiniTec power-lock fastener
- Mounting angle 19 GD-Z, **part no. [21.2078/0](#)**
- Bolt connector
- Screw connection