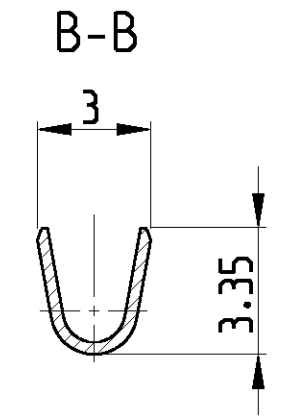
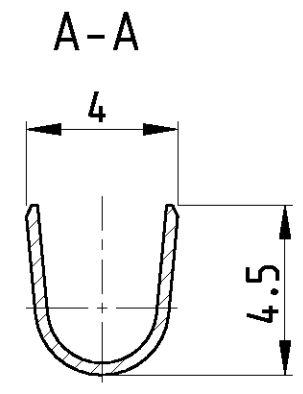
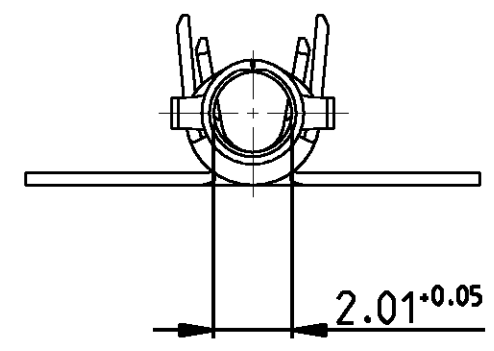
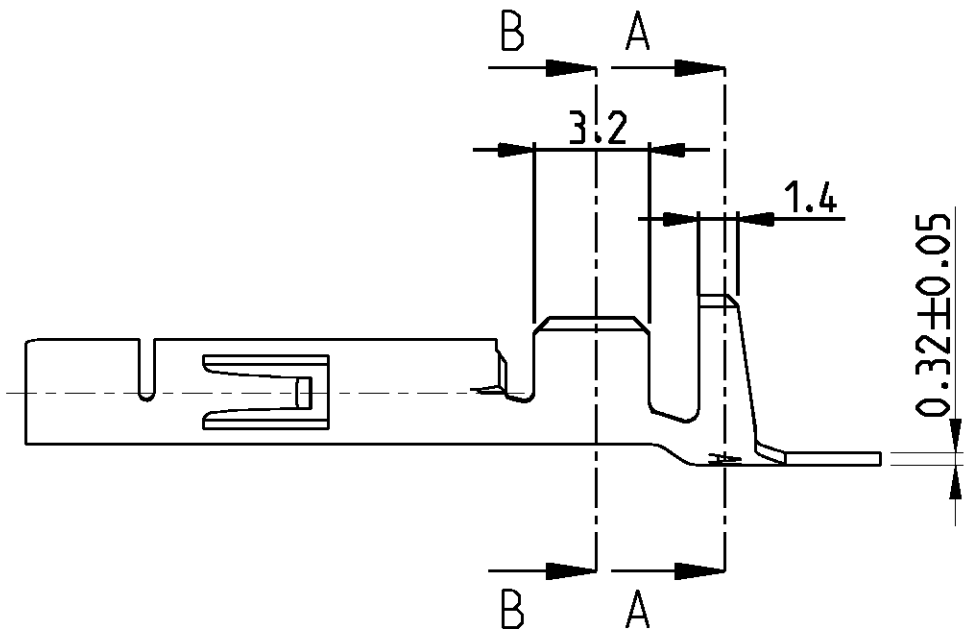


THIS DRAWING IS UNPUBLISHED. RELEASED FOR PUBLICATION 2005
 © COPYRIGHT 2005 BY TYCO ELECTRONICS CORPORATION. ALL RIGHTS RESERVED.

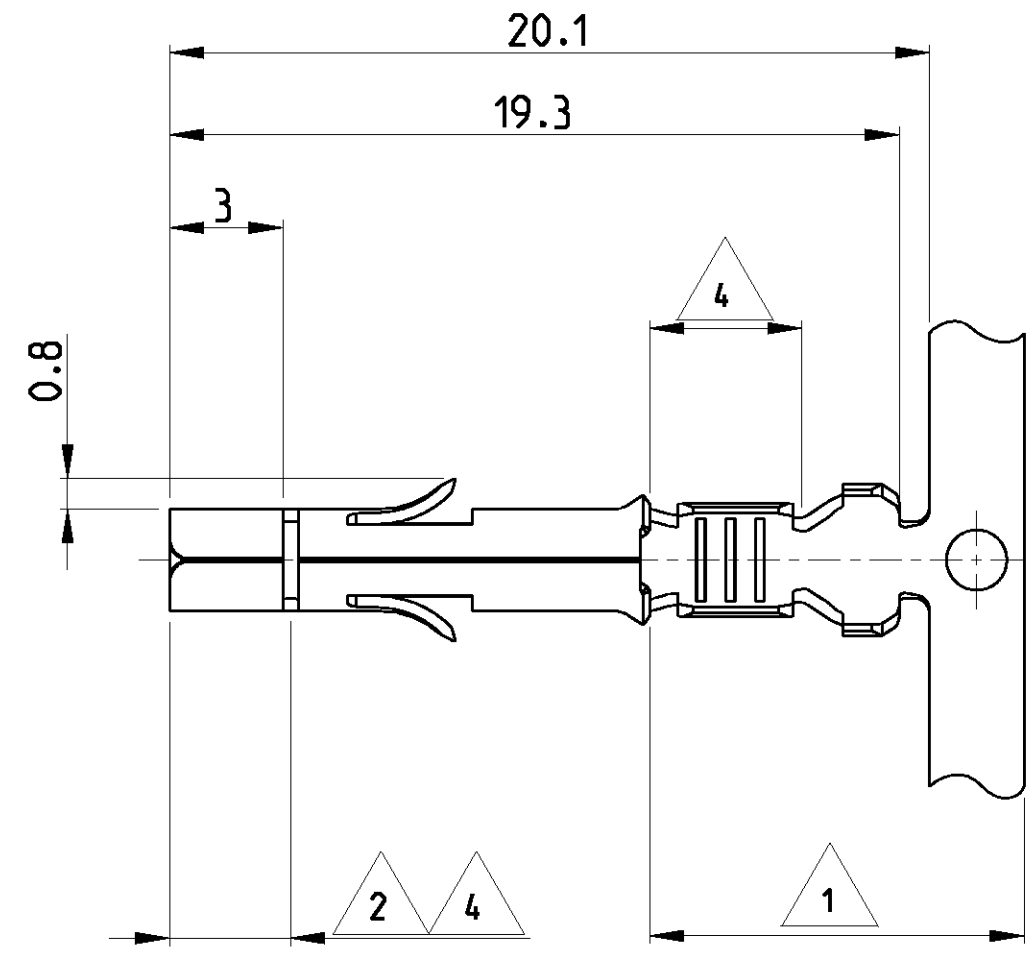
LOC	DIST	REVISIONS				
P	LTR	DESCRIPTION	DATE	DWN	APVD	
AL	2	M	REDRAWN IN CAD	080CT2009	JS	JS



NOTES:

Bemerkungen:

- 1 2-6 µm Sn OVER Ni IN CRIMP-AREA
2-6 µm Sn über Ni in der Crimpzone
- 2 0.8 µm Au OVER Ni IN CONTACT-AREA
0.8 µm Au über Ni in der Kontaktzone
- 3 SUITABLE FOR Ø1.0-2.5mm
Für Isolations Ø1.0-2.5mm geeignet
- 4 0.8 µm Au OVER 1.3 µm Ni ON INSIDE OF WIRE BARREL AND CONTACT AREA
0.8 µm Au über 1.3 µm Ni in der Drahtcrimp und Kontaktzonen, sonst 1.3 µm Ni



OBSOLETE

107-3, FIG.2		926882-8	CuZn30	PRE-TIN
107-3, FIG.1	926893-7	926884-7	CuZn30	1 2
107-3, FIG.1	926893-6	926884-6	CuSn4	1 2
107-3, FIG.1	926893-5	926882-5	CuCrZr	PRE-TIN
107-3, FIG.1	926893-4	926882-4	CuCrZr	PLAIN
107-3, FIG.1	926893-3	926882-3	CuSn4	PRE-TIN
107-3, FIG.1	926893-2	926882-2	CuZn30	4
107-3, FIG.1	926893-1	926882-1	CuZn30	PRE-TIN
REELING	LOOSE PIECE	PART NO.	MATERIAL	FINISH

<small>THIS DRAWING IS A CONTROLLED DOCUMENT FOR TYCO ELECTRONICS CORPORATION IT IS SUBJECT TO CHANGE AND THE CONTROLLING ENGINEERING ORGANIZATION SHOULD BE CONTACTED FOR THE LATEST REVISION.</small>		DWN J.Skoda 29NOV2005 CHK R.Vlcek APVD M.Bleicher PRODUCT SPEC 108-1031 APPLICATION SPEC 114-18011 WEIGHT -		tyco Tyco Electronics AMP España SA Electronics Barcelona, Spain	
DIMENSIONS: mm 		TOLERANCES UNLESS OTHERWISE SPECIFIED: 0 PLC ±0.2 1 PLC ±0.2 2 PLC ±0.2 3 PLC ± 4 PLC ± ANGLES ±1°		NAME UNIVERSAL MNL Socket 0.5-2.1 mm² WIRE RANGE	
MATERIAL SEE TABLE		FINISH SEE TABLE		SIZE A3 CAGE CODE 00779 DRAWING NO C=926882 RESTRICTED TO -	
CUSTOMER DRAWING				SCALE 5:1 SHEET 1 OF 1 REV M	