

**Datasheet****Straight Panel Industrial Plug**Stock No:  
2144091

Image for reference only

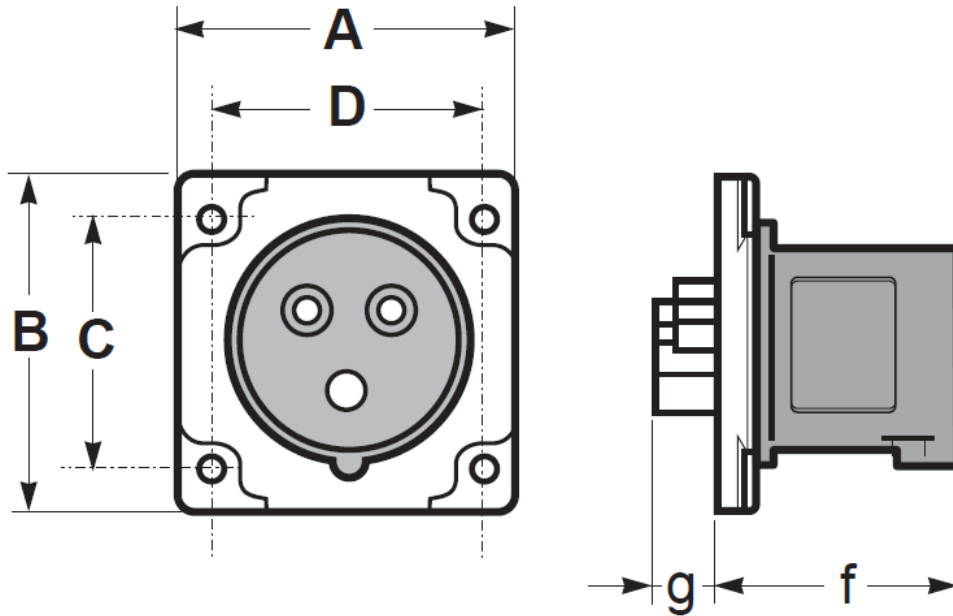
**Technical Characteristics**

Rated Current:	<b>16</b>
Rated Voltage	<b>200-250</b>
Poles	<b>3P (2P+T)</b>
Clock Position	<b>6h</b>
Rated Frequency	<b>50/60Hz</b>
Insulating Resistance	<b>&gt;10MΩ@500Vdc</b>
Dielectric Stength	<b>2,5kV 60s</b>
IP Protection Degree	<b>IP44 (IEC / EN 60529)</b>
Operating Temperature	<b>-25°C/ 40°C</b>
Glow Wire Test	<b>850°C live parts supports /650°C other parts</b>
Material	<b>Housing: PA6/ABS</b>
Product Standard	<b>IEC/EN 60309-1, IEC/EN 60309-2</b>

**Datasheet**

# Straight Panel Industrial Plug

Stock No: 2144091



Dimensions in mm

A	B	C	D	E	F	G	ØK
75	75	60	60	-	48	15	-